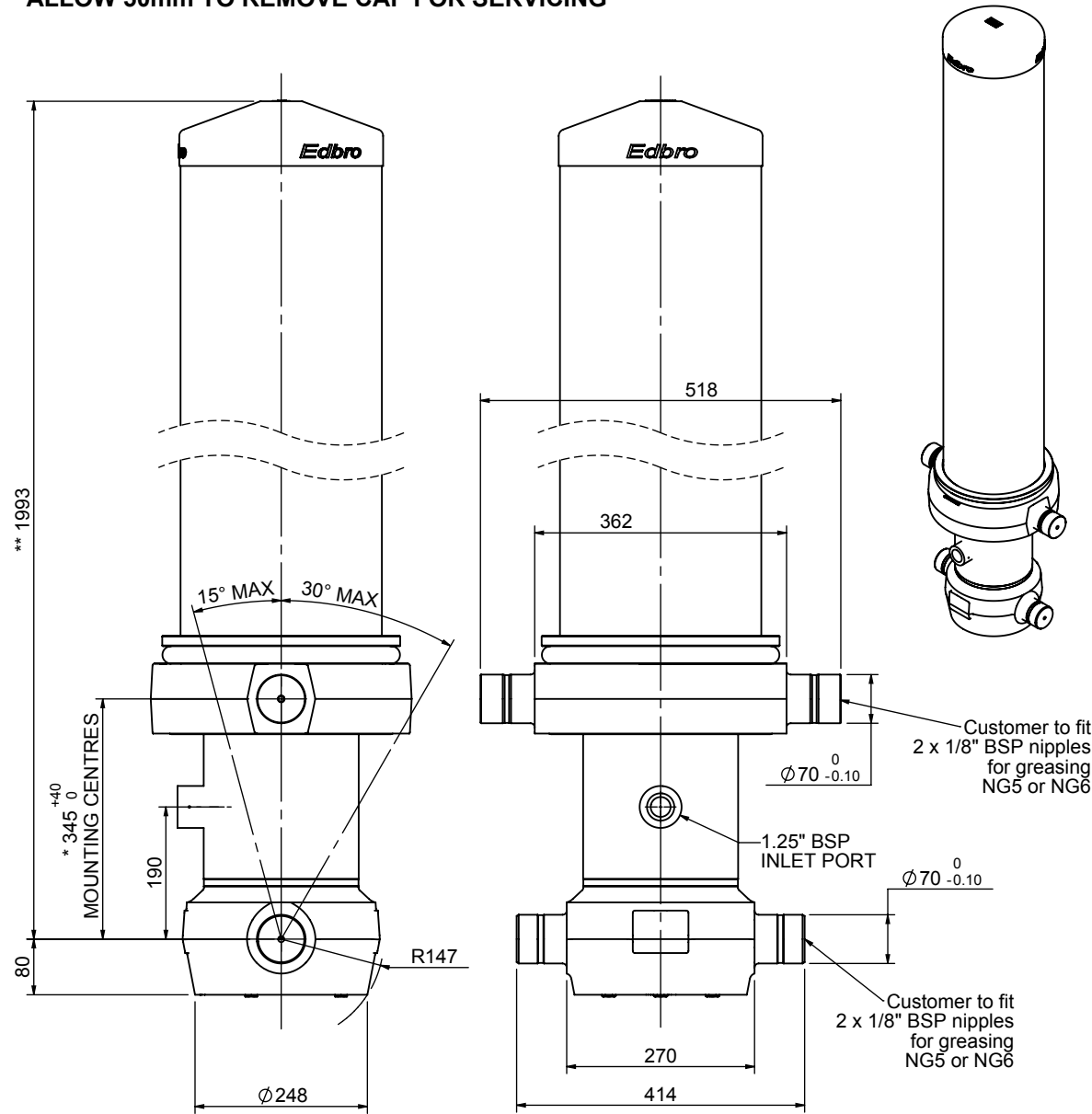


Cylinder 5 stage front end with outer cover

****ALLOW 50mm TO REMOVE CAP FOR SERVICING**

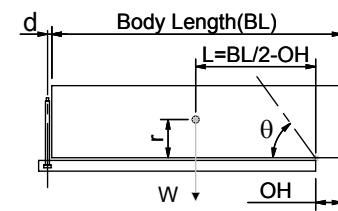


*Includes 11mm Pull Out.

CS190058428B19A11

| SPECIFICATION | | TIPPING CAPACITY : 46-60 TONNES*** | | |
|-------------------------|----------|------------------------------------|--------|--------------|
| Stage | Diameter | Length | Stroke | Swept Volume |
| OUTER COVER | 289 | 1585 | - | - |
| 0 | 223 | 1928 | - | - |
| 1 | 198 | 1890 | 1653 | 51 |
| 2 | 176 | 1890 | 1677 | 41 |
| 3 | 155 | 1890 | 1687 | 32 |
| 4 | 136 | 1890 | 1697 | 25 |
| 5 | 117 | 1890 | 1712 | 18 |
| Total (+5/-10) | | | 8426 | 167 |
| Final stroke reduced by | 0 | Priming Volume | | 31 |
| Cylinder Mass (Kg) | 450 | Total Volume (Litres) | | 198 |
| Maximum Pressure (Bar) | 190 | Max. first stage thrust | | 350 KN |

***TIPPING CAPACITY AT WORKING PRESSURE



| BODY LENGTH (BL) | | | | | | OH |
|------------------|-------|-------|-----|----|-----|-----|
| 9750 | 10250 | 10750 | | | | |
| 51 | 51° | 48 | 48° | 46 | 46° | 150 |
| 55 | 53° | 52 | 50° | 49 | 47° | 450 |
| 60 | 55° | 56 | 52° | 53 | 49° | 750 |

d = 229; r = 900; Working Pressure 150 bar

For guidance only;
Higher working pressures and tipping capacities may be possible.
To check your application email - applications@edbro.co.uk

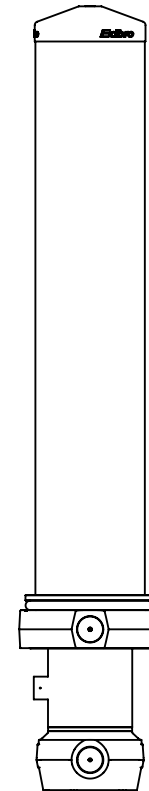
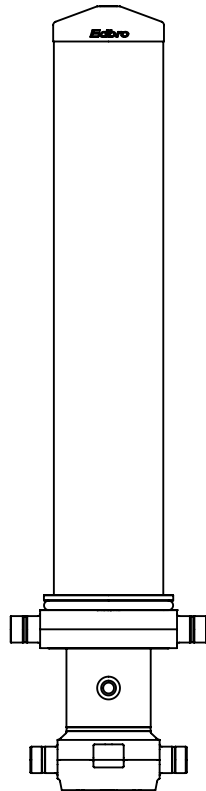
NOTES

1. This cylinder is for lifting purposes only and side load conditions should be avoided
2. Cylinder is painted in primer paint to RAL5013
3. Refer to www.edbro.com for:-
 - Bracket details
 - Installation instructions that must be observed
 - Correct oil selection
 - An explanation of tipping capacity



Edbro plc
Nelson Street, Bolton, England, BL3 2JJ
Tel +44 (0) 1204 528888 Fax +44 (0) 1204 531957
Email: postmaster@edbro.com Web: www.edbro.com

Technical Specifications are subject to change without notice
Date Created/Updated: 23 August 2012
Refer www.edbro.com to confirm latest specification
All dimensions are in 'mm', unless otherwise stated



CS190058428B19A11