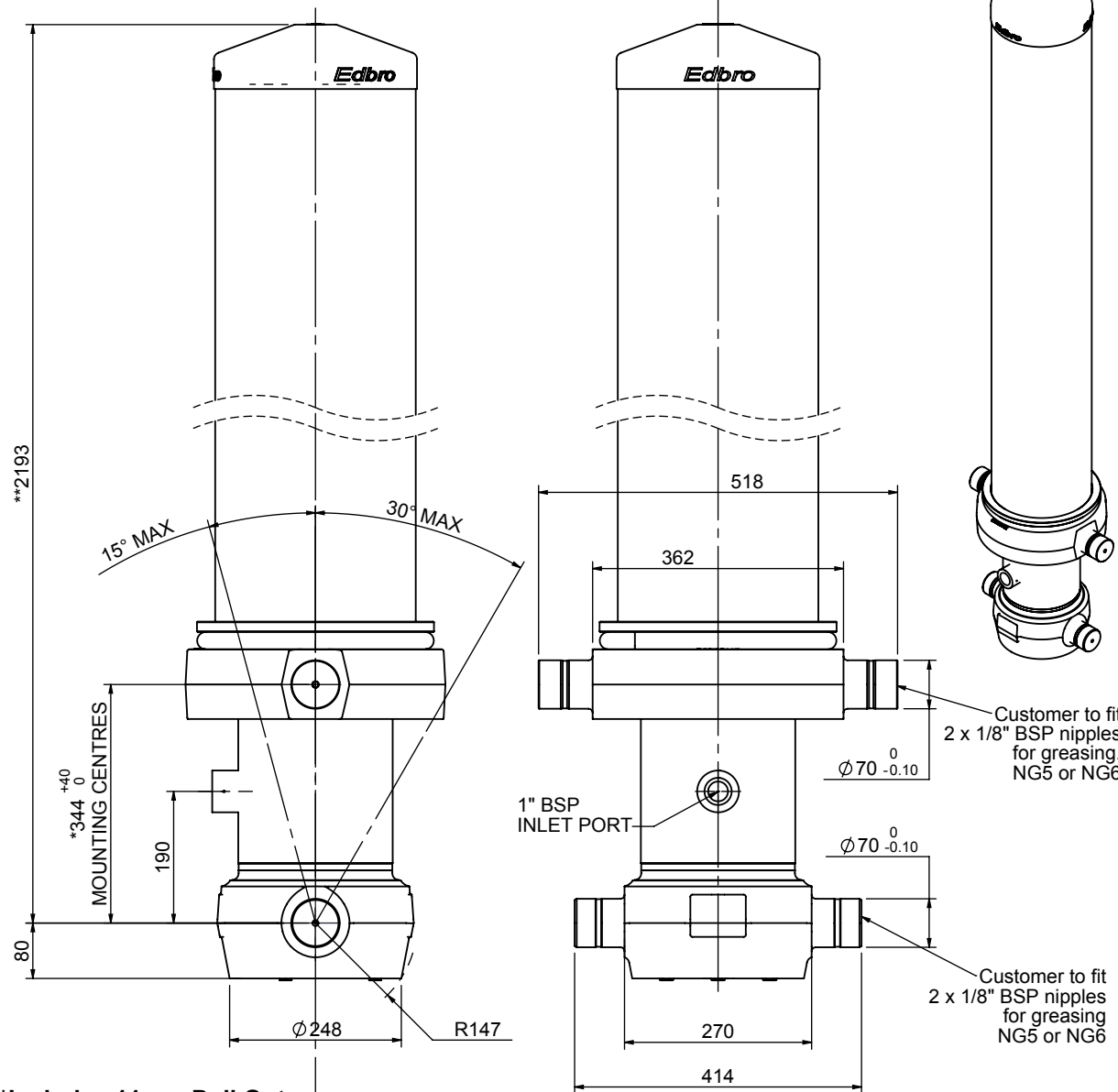


# Cylinder 5 stage front end with outer cover

**\*\*ALLOW 50mm TO REMOVE CAP FOR SERVICING**



**\*Includes 11mm Pull Out.  
All Stages Chrome Plated**

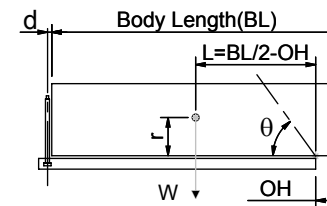
# CS190059428B19A11C

## SPECIFICATION

**TIPPING CAPACITY : 34-42 TONNES\*\*\***

Stage	Diameter	Length	Stroke	Swept Volume
OUTER COVER	289	1785	-	-
0	223	2128	-	-
1	198	2090	1856	57
2	176	2090	1877	46
3	155	2090	1887	36
4	136	2090	1897	28
5	117	2090	1912	21
Total (+5/-10)			9429	188
Final stroke reduced by	0	Priming Volume		37
Cylinder Mass (Kg)	486	Total Volume (Litres)		225
Maximum Pressure (Bar)	190	Max. first stage thrust		350 KN

## \*\*\*TIPPING CAPACITY AT WORKING PRESSURE



BODY LENGTH (BL)						OH
10750	11250	11750				
37	52°	35	49°	34	47°	150
39	54°	37	51°	36	49°	450
42	55°	40	52°	38	50°	750

d = 229; r = 900; Working Pressure 110 bar

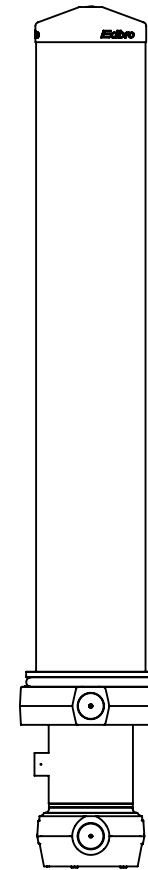
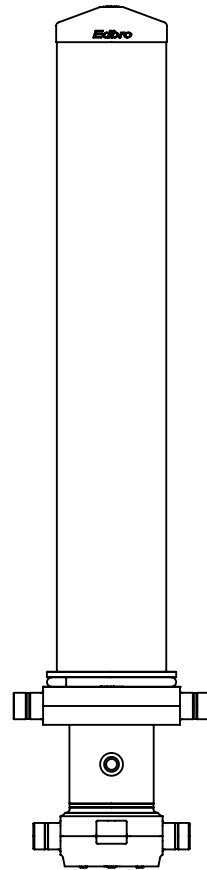
### For guidance only;

Higher working pressures and tipping capacities may be possible.

To check your application email - [applications@edbro.co.uk](mailto:applications@edbro.co.uk)

## NOTES

1. This cylinder is for lifting purposes only and side load conditions should be avoided
2. Cylinder is painted in primer paint to RAL5013
3. Refer to [www.edbro.com](http://www.edbro.com) for:-
  - Bracket details
  - Installation instructions that must be observed
  - Correct oil selection
  - An explanation of tipping capacity



CS190059428B19A11C