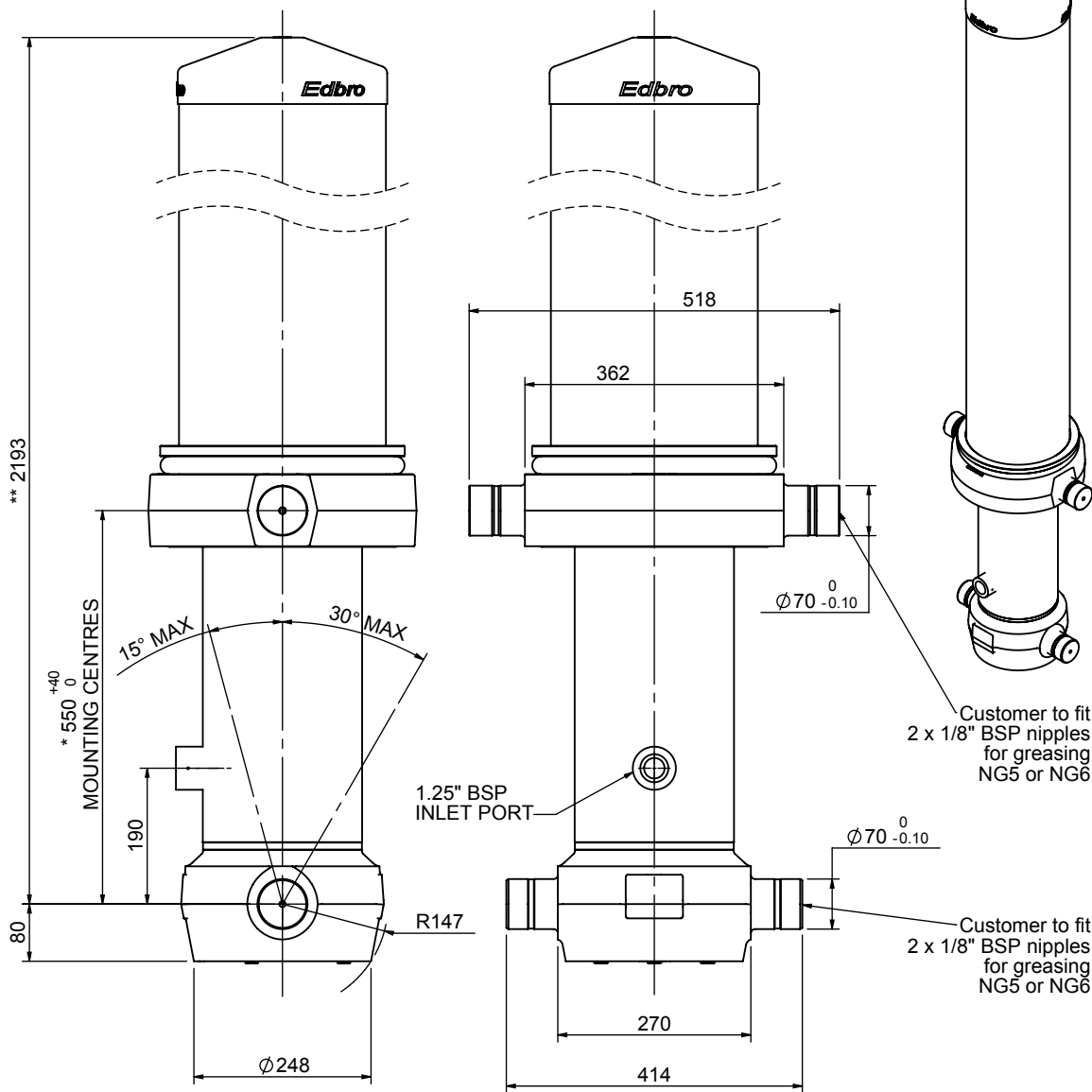


# Cylinder 5 stage front end with outer cover

**\*\*ALLOW 50mm TO REMOVE CAP FOR SERVICING**



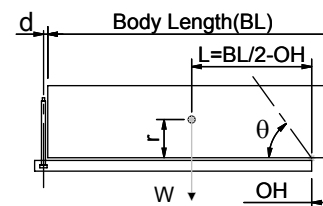
**\*Includes 11mm Pull Out. Last Stage Chrome Plated**

# CS190059428B19A12C

**SPECIFICATION** **TIPPING CAPACITY : 28-35 TONNES\*\*\***

Stage	Diameter	Length	Stroke	Swept Volume
OUTER COVER	289	1580	-	-
0	223	2128	-	-
1	198	2090	1853	57
2	176	2090	1877	46
3	155	2090	1887	36
4	136	2090	1897	28
5	117	2090	1912	21
Total (+5/-10)			9426	188
Final stroke reduced by	0	Priming Volume		37
Cylinder Mass (Kg)	480	Total Volume (Litres)		225
Maximum Pressure (Bar)	190	Max. first stage thrust		350 KN

**\*\*\*TIPPING CAPACITY AT WORKING PRESSURE**



BODY LENGTH (BL)						OH
10750	11250	11750				
30	52°	29	49°	28	47°	150
32	54°	31	51°	29	48°	450
35	55°	33	52°	31	50°	750

$d = 229$ ;  $r = 900$ ; Working Pressure 90 bar

**For guidance only;**

Higher working pressures and tipping capacities may be possible.

To check your application email - [applications@edbro.co.uk](mailto:applications@edbro.co.uk)

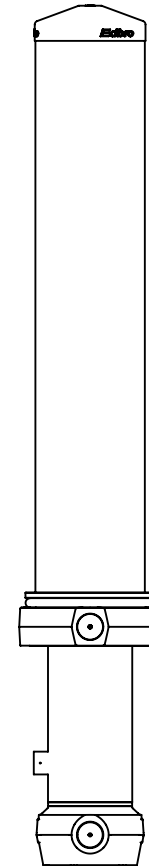
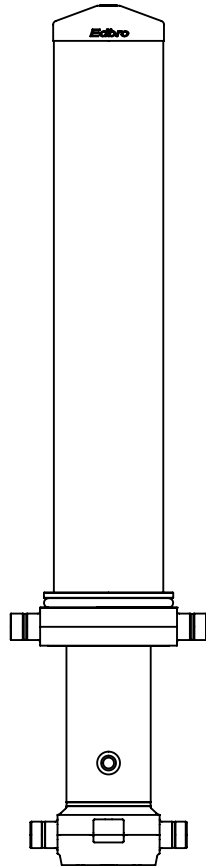
## NOTES

1. This cylinder is for lifting purposes only and side load conditions should be avoided
2. Cylinder is painted in primer paint to RAL5013
3. Refer to [www.edbro.com](http://www.edbro.com) for:-
  - Bracket details
  - Installation instructions that must be observed
  - Correct oil selection
  - An explanation of tipping capacity



**Edbro plc**  
 Nelson Street, Bolton, England, BL3 2JJ  
 Tel +44 (0) 1204 528888 Fax +44 (0) 1204 531957  
 Email: [postmaster@edbro.com](mailto:postmaster@edbro.com) Web: [www.edbro.com](http://www.edbro.com)

Technical Specifications are subject to change without notice  
 Date Created/Updated: 23 August 2012  
 Refer [www.edbro.com](http://www.edbro.com) to confirm latest specification  
 All dimensions are in 'mm', unless otherwise stated



CS190059428B19A12C