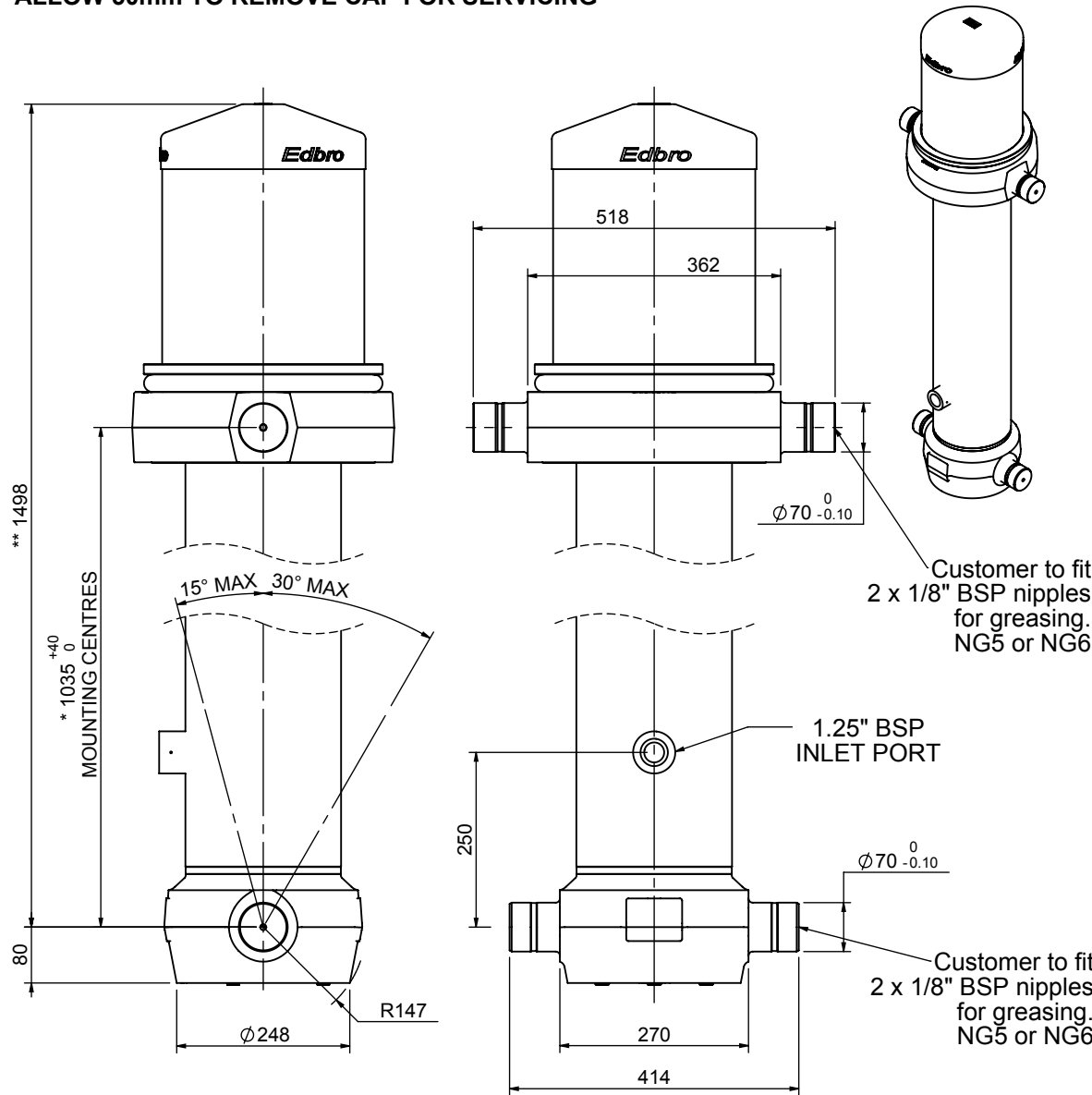


Cylinder 6 stage front end with outer cover

****ALLOW 50mm TO REMOVE CAP FOR SERVICING**

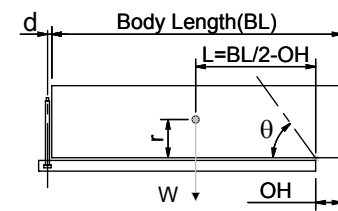


CS190067145B25A15

SPECIFICATION **TIPPING CAPACITY : 32-43 TONNES*****

Stage	Diameter	Length	Stroke	Swept Volume
OUTER COVER	289	400	-	-
0	223	1428	-	-
1	198	1390	1153	36
2	176	1390	1177	29
3	155	1390	1187	22
4	136	1390	1197	17
5	117	1390	1212	13
6	98	1390	1217	9
Total (+5/-10)			7143	126
Final stroke reduced by	0	Priming Volume		22
Cylinder Mass (Kg)	347	Total Volume (Litres)		148
Maximum Pressure (Bar)	190	Max. first stage thrust		350 KN

*****TIPPING CAPACITY AT WORKING PRESSURE**



BODY LENGTH (BL)						OH
8750	9250	9750				
36	48°	34	45°	32	43°	150
39	50°	37	47°	35	44°	450
43	52°	40	49°	37	46°	750

d = 229; r = 900; Working Pressure 150 bar
 Tipping angle (θ)
 Body + payload mass, W (tonne)
For guidance only;
 Higher working pressures and tipping capacities may be possible.
 To check your application email - applications@edbro.co.uk

NOTES

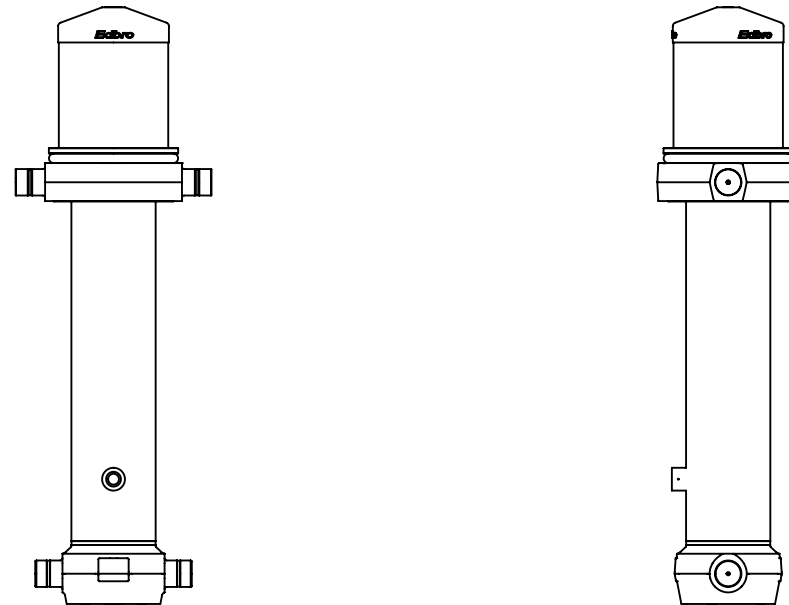
1. This cylinder is for lifting purposes only and side load conditions should be avoided
2. Cylinder is painted in primer paint to RAL5013
3. Refer to www.edbro.com for:-
 - Bracket details
 - Installation instructions that must be observed
 - Correct oil selection
 - An explanation of tipping capacity

*Includes 11mm Pull Out.



Edbro plc
 Nelson Street, Bolton, England, BL3 2JJ
 Tel +44 (0) 1204 528888 Fax +44 (0) 1204 531957
 Email: postmaster@edbro.com Web: www.edbro.com

Technical Specifications are subject to change without notice
 Date Created/Updated: 20 July 2012
 Refer www.edbro.com to confirm latest specification
 All dimensions are in 'mm', unless otherwise stated



CS190067145B25A15