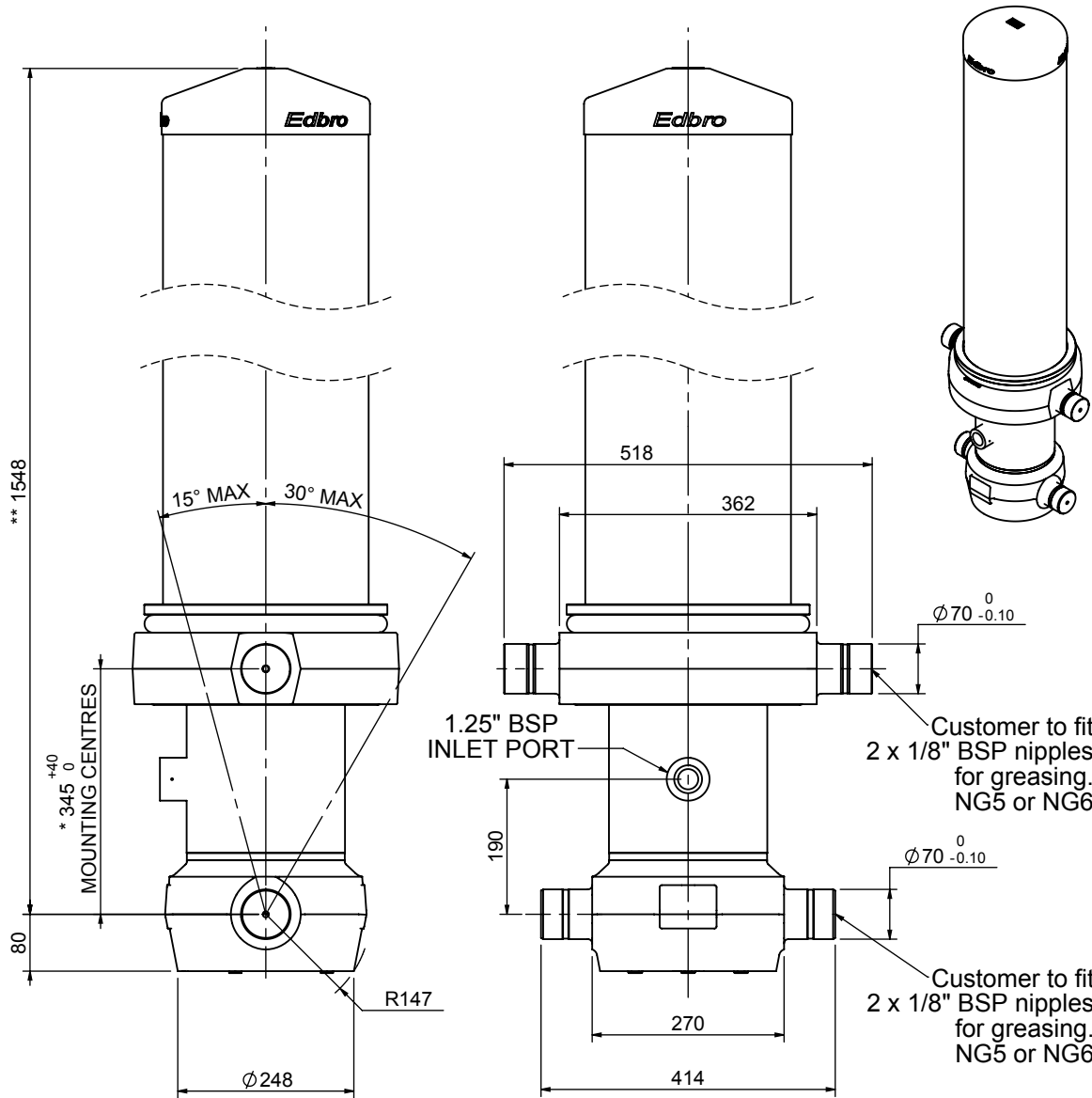


Cylinder 6 stage front end with outer cover

****ALLOW 50mm TO REMOVE CAP FOR SERVICING**

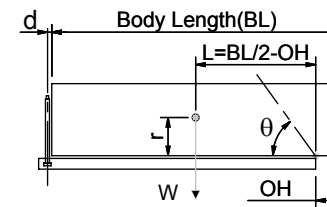


***Includes 11mm Pull Out. None**

CS190067445B19A11

SPECIFICATION		TIPPING CAPACITY : 38-51 TONNES***		
Stage	Diameter	Length	Stroke	Swept Volume
OUTER COVER	289	1140	-	-
0	223	1478	-	-
1	198	1440	1203	37
2	176	1440	1227	30
3	155	1440	1237	23
4	136	1440	1247	18
5	117	1440	1262	14
6	98	1440	1267	10
Total (+5/-10)			7443	132
Final stroke reduced by	0	Priming Volume		26
Cylinder Mass (Kg)	381	Total Volume (Litres)		158
Maximum Pressure (Bar)	190	Max. first stage thrust		350 KN

***TIPPING CAPACITY AT WORKING PRESSURE



BODY LENGTH (BL)						OH
9000		9500		10000		
42	49°	40	46°	38	43°	150
46	50°	43	47°	41	45°	450
51	52°	47	49°	44	46°	750

$d = 229$; $r = 900$; Working Pressure 175 bar

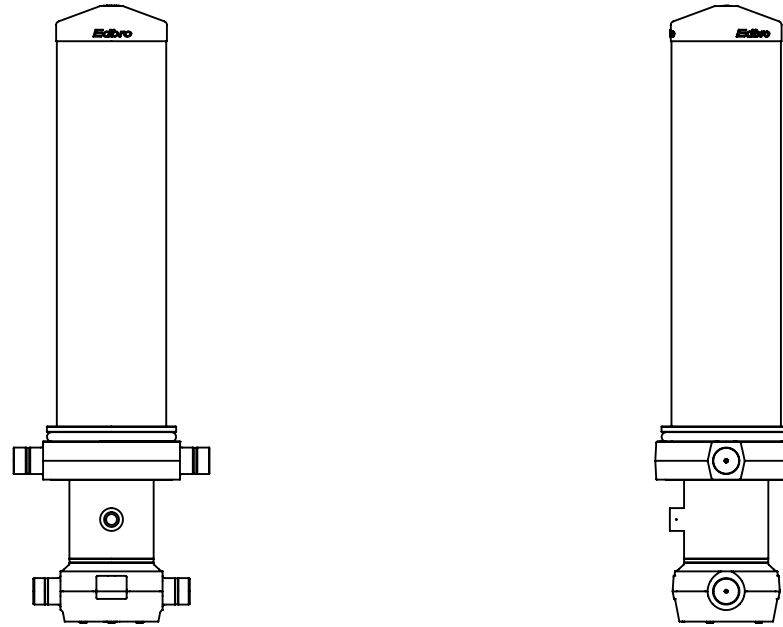
For guidance only;

Higher working pressures and tipping capacities may be possible.

To check your application email - applications@edbro.co.uk

NOTES

1. This cylinder is for lifting purposes only and side load conditions should be avoided
2. Cylinder is painted in primer paint to RAL5013
3. Refer to www.edbro.com for:-
 - Bracket details
 - Installation instructions that must be observed
 - Correct oil selection
 - An explanation of tipping capacity



CS190067445B19A11