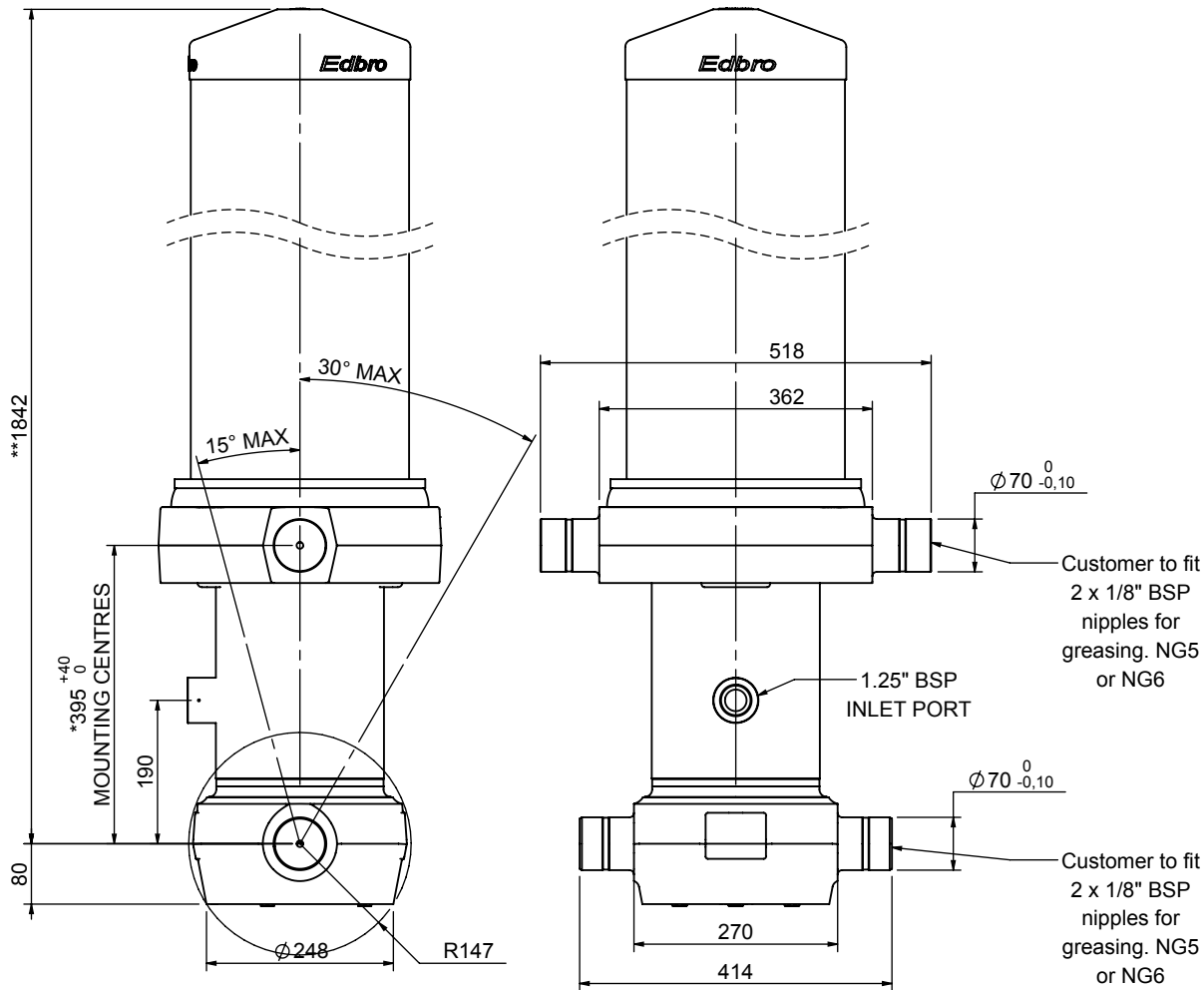


Cylinder 5 stage front end with outer cover

****ALLOW 50mm TO REMOVE CAP FOR SERVICING**

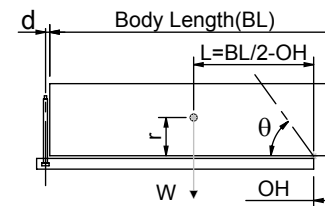


*Includes 12mm Pull Out.

CS190068645B19N11

SPECIFICATION		TIPPING CAPACITY : 34-43 TONNES***		
Stage	Diameter	Length	Stroke	Swept Volume
OUTER COVER	289	1390	-	-
0	223	1778	-	-
1	198	1740	1505	46
2	176	1740	1527	37
3	155	1740	1537	29
4	136	1740	1547	22
5	117	1740	1562	17
6	98	1740	967	7
Total (+5/-10)			8645	158
Final stroke reduced by	600	Priming Volume		23
Cylinder Mass (Kg)	438	Total Volume (Litres)		181
Maximum Pressure (Bar)	190	Max. first stage thrust		350 KN

***TIPPING CAPACITY AT WORKING PRESSURE



BODY LENGTH (BL)						OH
10500	11000	11500				
37	48°	35	46°	34	44°	150
40	50°	37	47°	36	45°	450
43	52°	40	49°	38	47°	750

d = 229; r = 900; Working Pressure 150bar

Tipping angle (θ)

Body + payload mass, W (tonne)

For guidance only;

Higher working pressures and tipping capacities may be possible.

To check your application email - applications@edbro.co.uk

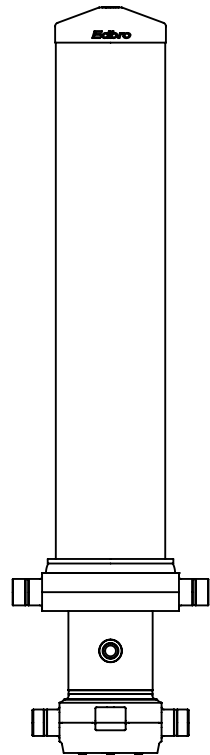
NOTES

1. This cylinder is for lifting purposes only and side load conditions should be avoided
2. Cylinder is painted in primer paint to RAL5013
3. Refer to www.edbro.com for:-
 - Bracket details
 - Installation instructions that must be observed
 - Correct oil selection
 - An explanation of tipping capacity



Edbro plc
 Nelson Street, Bolton, England, BL3 2JJ
 Tel +44 (0) 1204 528888 Fax +44 (0) 1204 531957
 Email: postmaster@edbro.com Web: www.edbro.com

Technical Specifications are subject to change without notice
 Date Created/Updated: 16 July 2019
 Refer www.edbro.com to confirm latest specification
 All dimensions are in 'mm', unless otherwise stated



CS190069545B19A11

