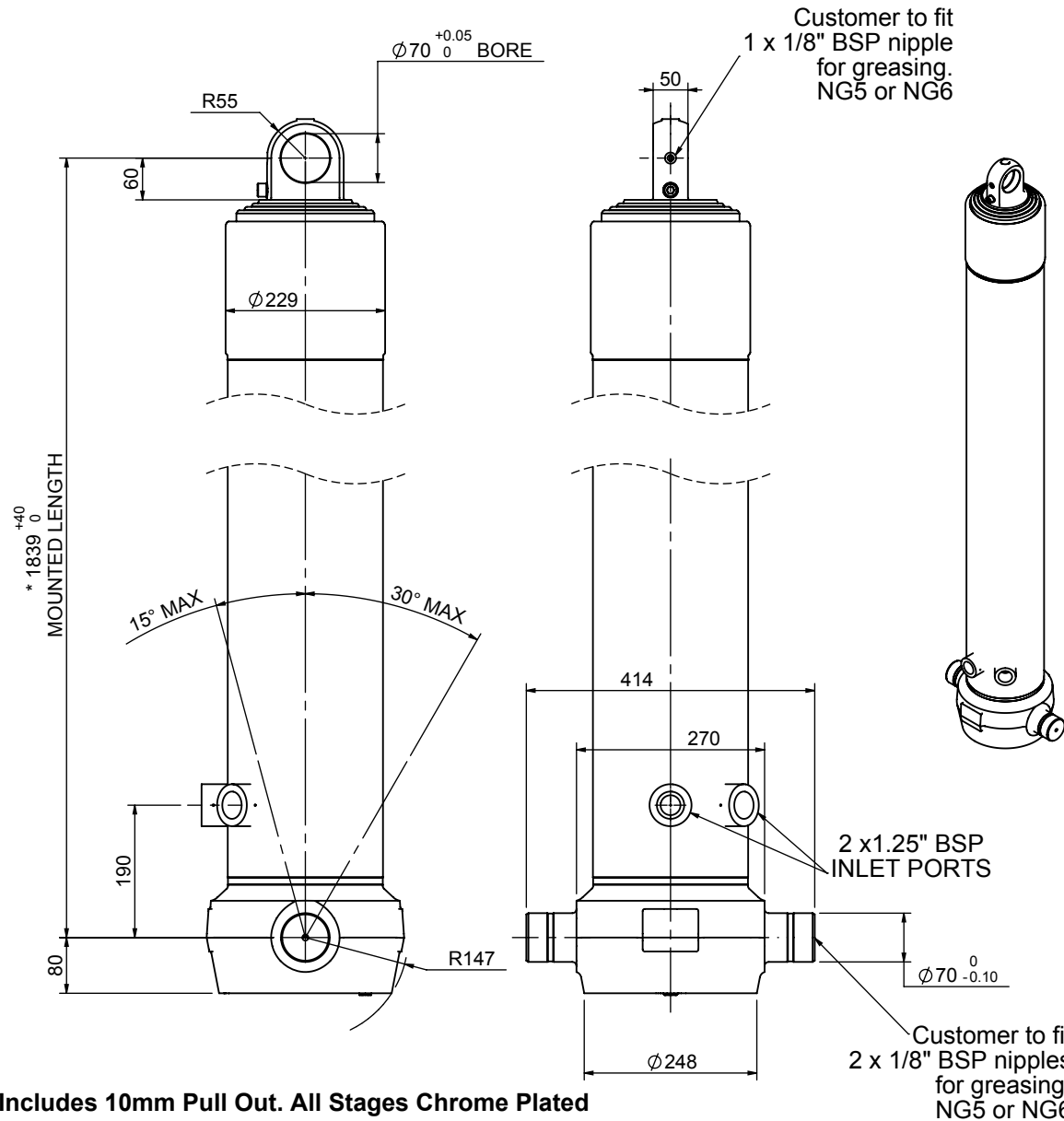


Cylinder 4 stage front end with plain eye

CS190E46316T19A01C

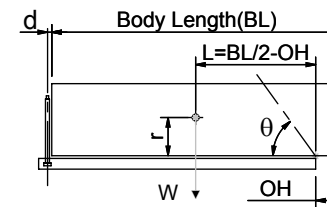


*Includes 10mm Pull Out. All Stages Chrome Plated

SPECIFICATION

SPECIFICATION		TIPPING CAPACITY : 53-72 TONNES***		
Stage	Diameter	Length	Stroke	Swept Volume
-	-	-	-	-
-	-	-	-	-
0	223	1828	-	-
1	198	1790	1554	48
2	176	1790	1577	38
3	155	1790	1587	30
4	136	1790	1597	23
Total (+5/-10)			6315	139
Final stroke reduced by	0	Priming Volume		34
Cylinder Mass (Kg)	302	Total Volume (Litres)		173
Maximum Pressure (Bar)	190	Max. first stage thrust		350 KN

***TIPPING CAPACITY AT WORKING PRESSURE



BODY LENGTH (BL)						OH
7750		8250		8750		
58	50°	55	47°	53	44°	150
64	53°	60	49°	57	46°	450
72	55°	66	51°	62	47°	750

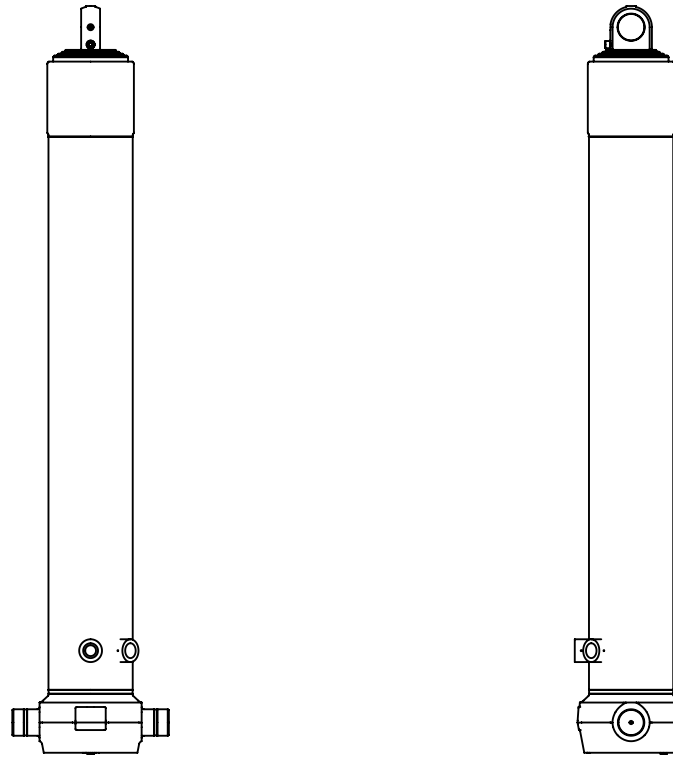
d = 0; r = 900; Working Pressure 135 bar

For guidance only;

Higher working pressures and tipping capacities may be possible.
To check your application email - applications@edbro.co.uk

NOTES

1. This cylinder is for lifting purposes only and side load conditions should be avoided
2. Cylinder is painted in primer paint to RAL5013
3. Refer to www.edbro.com for:-
 - Bracket details
 - Installation instructions that must be observed
 - Correct oil selection
 - An explanation of tipping capacity



CS190E46316T19A01C