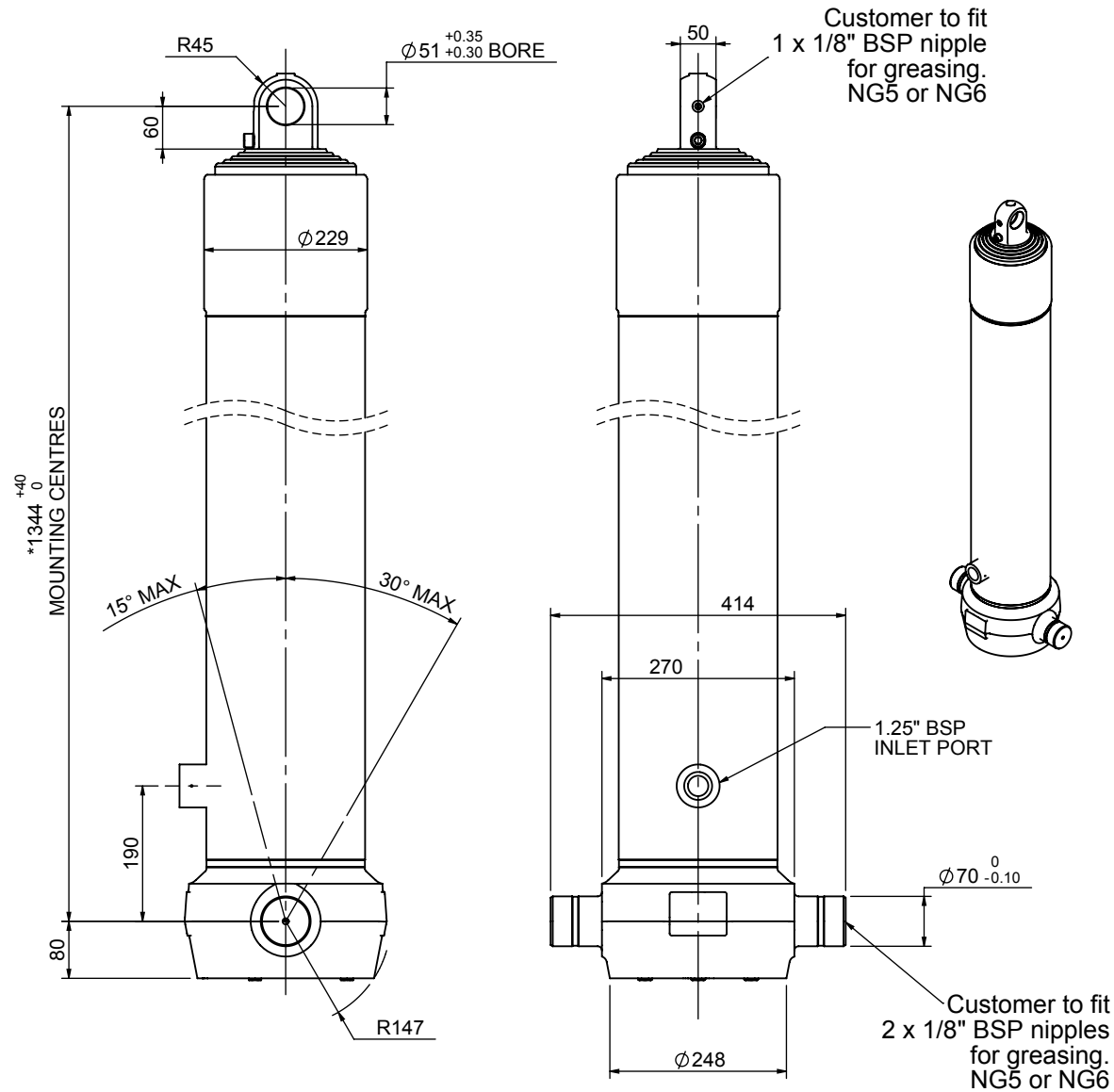


Cylinder 5 stage front end with plain eye

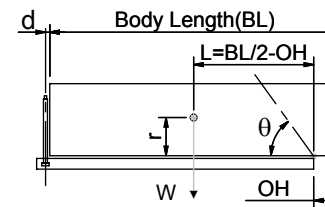


*Includes 10mm Pull Out. Last Stage Chrome Plated

CS190E55428B19A01

SPECIFICATION		TIPPING CAPACITY : 50 - 78 TONNES***		
Stage	Diameter	Length	Stroke	Swept Volume
-	-	-	-	-
0	223	1328	-	-
1	198	1290	1054	32
2	176	1290	1077	26
3	155	1290	1087	21
4	136	1290	1097	16
5	117	1290	1112	12
Total (+5/-10)			5427	107
Final stroke reduced by	0	Priming Volume		22
Cylinder Mass (Kg)	251	Total Volume (Litres)		129
Maximum Pressure (Bar)	190	Max. first stage thrust		350 KN

***TIPPING CAPACITY AT WORKING PRESSURE



BODY LENGTH (BL)						OH
6750	7250	7750				
58	50°	53	46°	50	42°	150
66	52°	59	48°	55	44°	450
78	55°	67	50°	61	46°	750

d = 0; r = 900; Working Pressure 165 bar

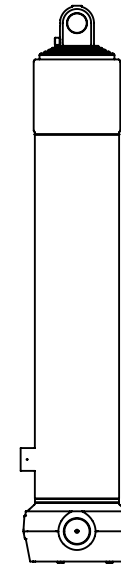
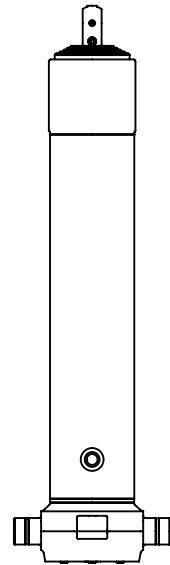
For guidance only;

Higher working pressures and tipping capacities may be possible.

To check your application email - applications@edbro.co.uk

NOTES

1. This cylinder is for lifting purposes only and side load conditions should be avoided
2. Cylinder is painted in primer paint to RAL5013
3. Refer to www.edbro.com for:-
 - Bracket details
 - Installation instructions that must be observed
 - Correct oil selection
 - An explanation of tipping capacity



CS190E55428B19A01