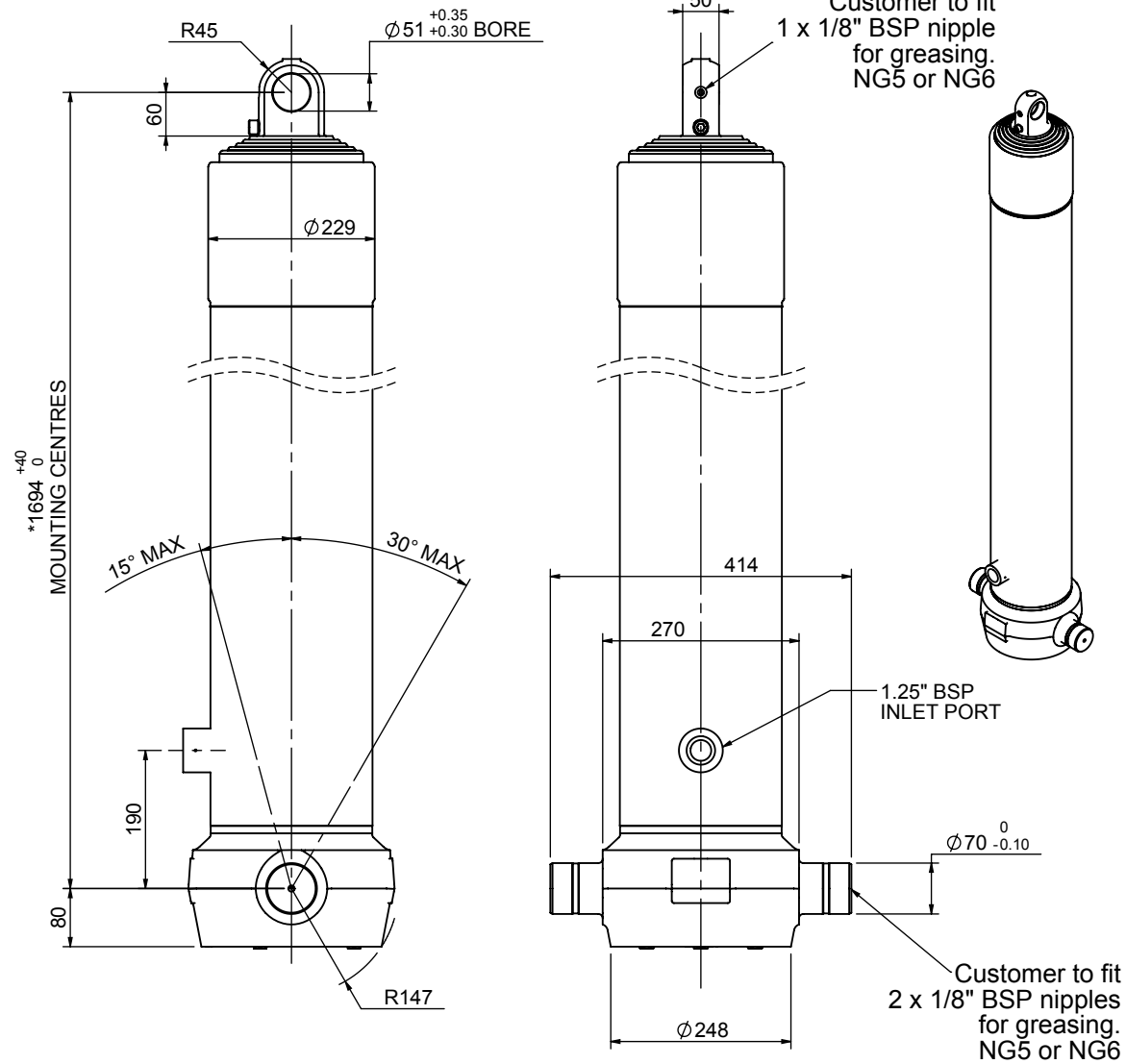


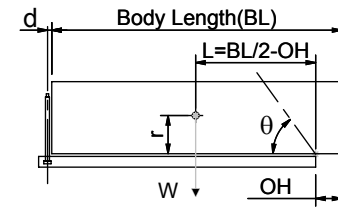
Cylinder 5 stage front end with plain eye



CS190E57178B19A01

SPECIFICATION		TIPPING CAPACITY : 36- 47 TONNES***		
Stage	Diameter	Length	Stroke	Swept Volume
-	-	-	-	-
0	223	1678	-	-
1	198	1640	1404	43
2	176	1640	1427	35
3	155	1640	1437	27
4	136	1640	1447	21
5	117	1640	1462	16
Total (+5/-10)			7177	142
Final stroke reduced by	0	Priming Volume		28
Cylinder Mass (Kg)	304	Total Volume (Litres)		170
Maximum Pressure (Bar)	190	Max. first stage thrust		350 KN

***TIPPING CAPACITY AT WORKING PRESSURE



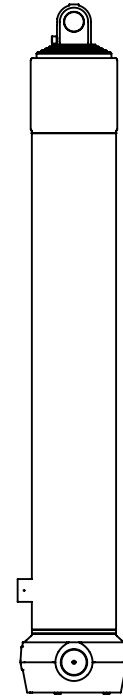
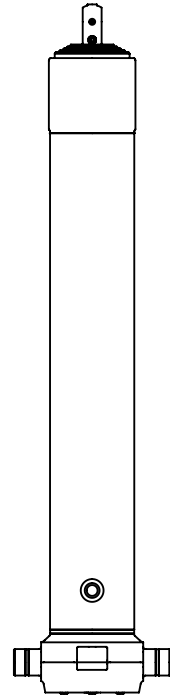
BODY LENGTH (BL)						OH
8750	9250	9750				
39	50°	37	47°	36	45°	150
43	52°	40	49°	38	46°	450
47	55°	44	51°	41	48°	750

d = 0; r = 900; Working Pressure 120 bar
 For guidance only;
 Higher working pressures and tipping capacities may be possible.
 To check your application email - applications@edbro.co.uk

NOTES

1. This cylinder is for lifting purposes only and side load conditions should be avoided
2. Cylinder is painted in primer paint to RAL5013
3. Refer to www.edbro.com for:-
 - Bracket details
 - Installation instructions that must be observed
 - Correct oil selection
 - An explanation of tipping capacity

*Includes 10mm Pull Out. Last Stage Chrome Plated



CS190E57178B19A01