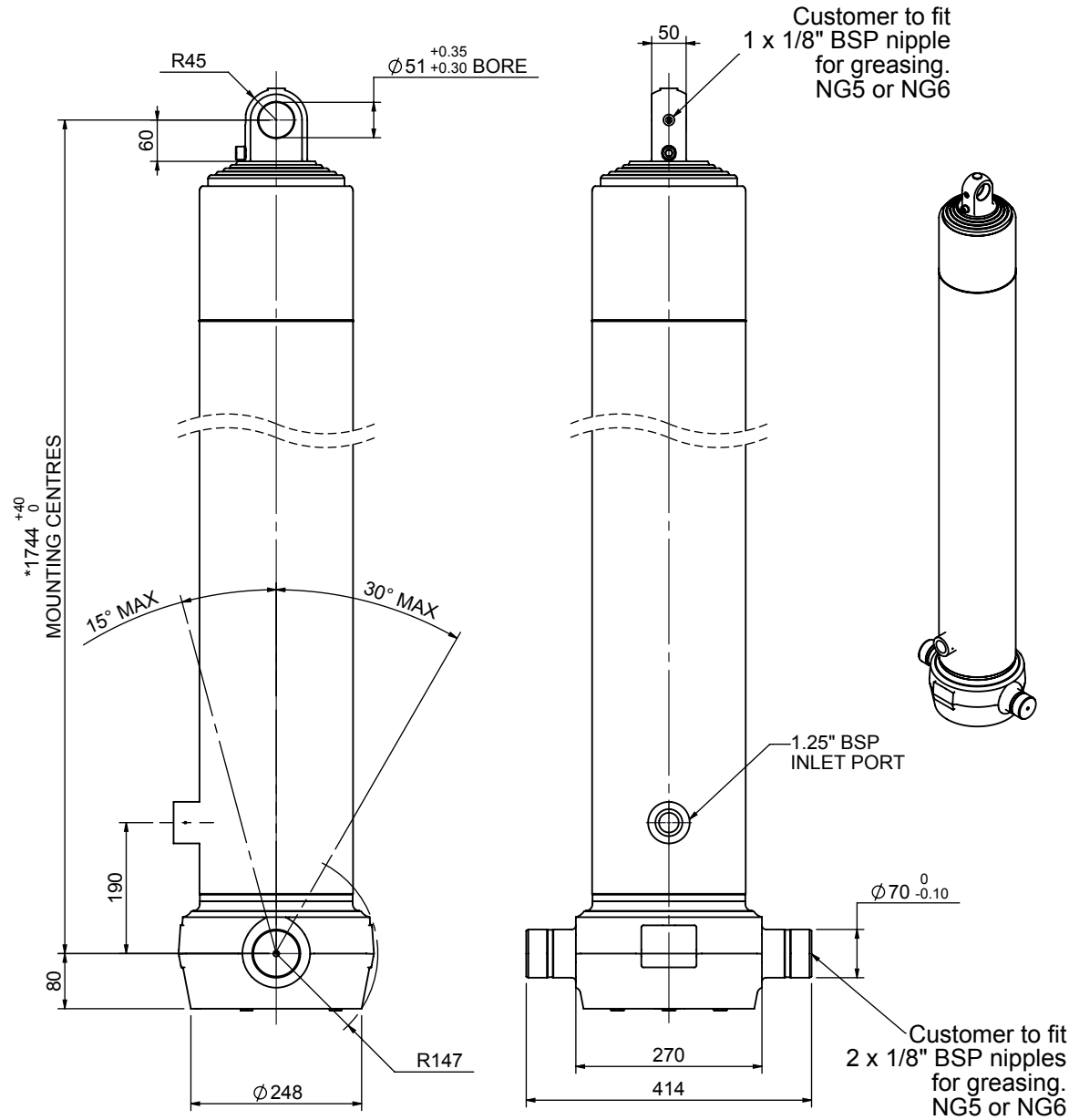


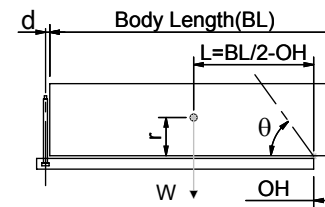
# Cylinder 5 stage front end with plain eye



## CS190E57428B19A01

SPECIFICATION		TIPPING CAPACITY : 33-43 TONNES***		
Stage	Diameter	Length	Stroke	Swept Volume
-	-	-	-	-
0	223	1728	-	-
1	198	1690	1457	45
2	176	1690	1477	36
3	155	1690	1487	28
4	136	1690	1497	22
5	117	1690	1512	16
Total (+5/-10)			7430	147
Final stroke reduced by	0	Priming Volume		29
Cylinder Mass (Kg)	308.31	Total Volume (Litres)		176
Maximum Pressure (Bar)	190	Max. first stage thrust		350 KN

### \*\*\*TIPPING CAPACITY AT WORKING PRESSURE



BODY LENGTH (BL)						OH
9000	9500	10000				
36	51°	34	48°	33	45°	150
39	53°	37	49°	35	47°	450
43	55°	40	51°	37	48°	750

$d = 0$ ;  $r = 900$ ; Working Pressure 110 bar

### For guidance only;

Higher working pressures and tipping capacities may be possible.

To check your application email - [applications@edbro.co.uk](mailto:applications@edbro.co.uk)

### NOTES

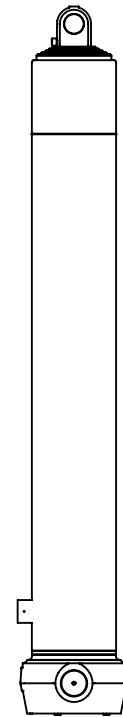
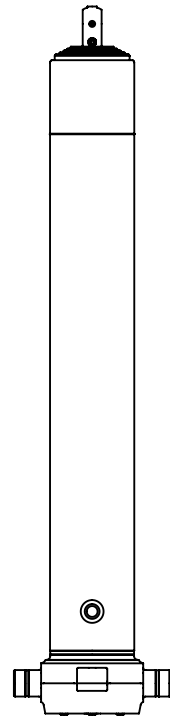
1. This cylinder is for lifting purposes only and side load conditions should be avoided
2. Cylinder is painted in primer paint to RAL5013
3. Refer to [www.edbro.com](http://www.edbro.com) for:-
  - Bracket details
  - Installation instructions that must be observed
  - Correct oil selection
  - An explanation of tipping capacity

\*Includes 10mm Pull Out. Last Stage Chrome Plated

**Edbro**  
SETTING THE INDUSTRY STANDARD

**Edbro plc**  
Nelson Street, Bolton, England, BL3 2JJ  
Tel +44 (0) 1204 528888 Fax +44 (0) 1204 531957  
Email: [postmaster@edbro.com](mailto:postmaster@edbro.com) Web: [www.edbro.com](http://www.edbro.com)

Technical Specifications are subject to change without notice  
Date Created/Updated: 28 May 2015  
Refer [www.edbro.com](http://www.edbro.com) to confirm latest specification  
All dimensions are in 'mm', unless otherwise stated



CS190E57428B19A01