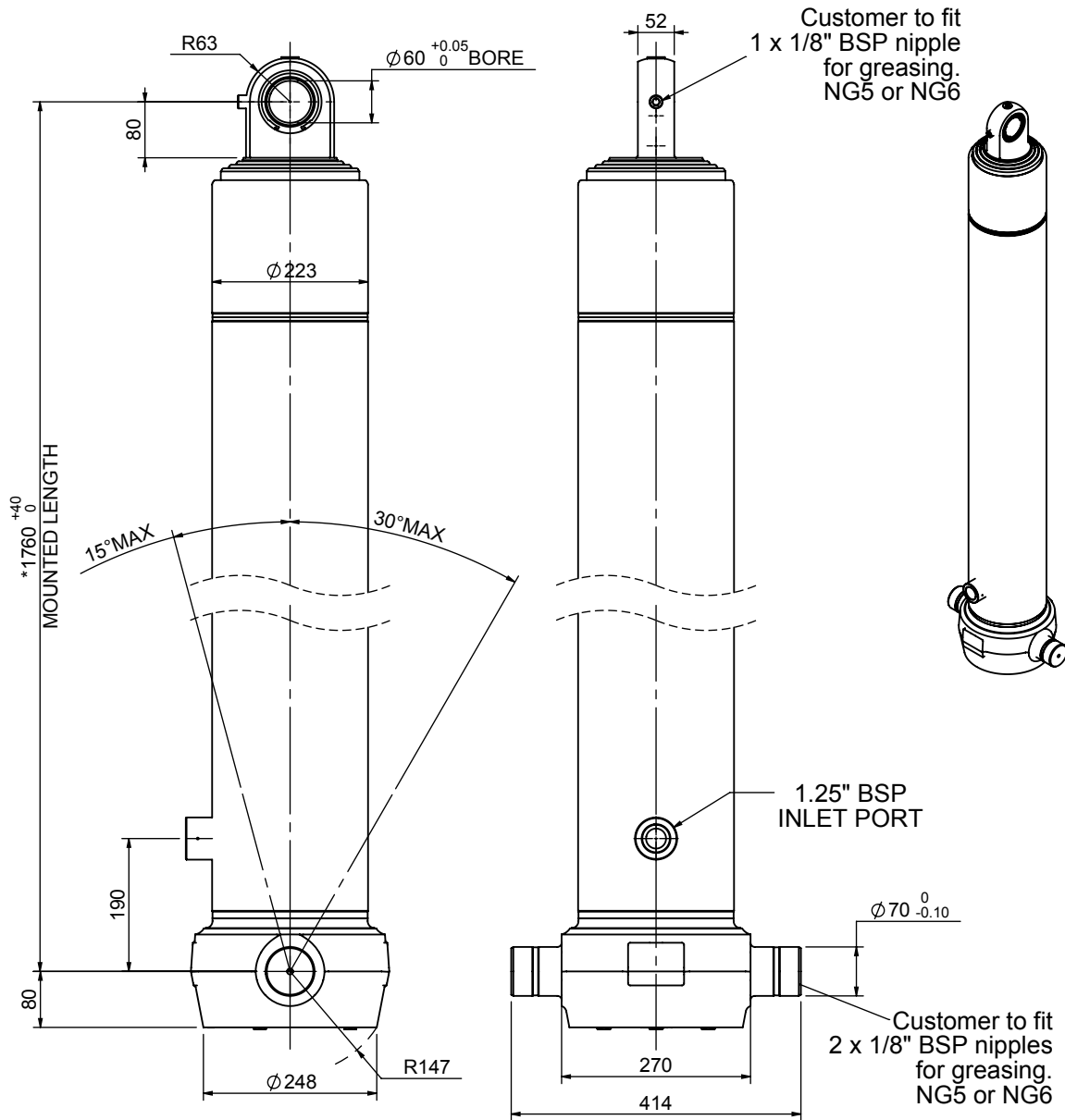


# Cylinder 4 stage front end with spherical eye

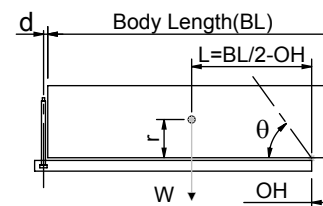


\*Includes 11mm Pull Out. Last Stage Chrome Plated

## CS190S45916B19A01

SPECIFICATION		TIPPING CAPACITY : 57-76 TONNES***		
Stage	Diameter	Length	Stroke	Swept Volume
-	-	-	-	-
0	Ø 223	1728	-	-
1	Ø 198	1690	1455	45
2	Ø 176	1690	1477	36
3	Ø 155	1690	1487	28
4	Ø 136	1690	1497	22
Total (+5/-10)			5916	131
Final stroke reduced by	0	Priming Volume		32
Cylinder Mass (Kg)	286	Total Volume (Litres)		163
Maximum Pressure (Bar)	190	Max. first stage thrust		350 KN

### \*\*\*TIPPING CAPACITY AT WORKING PRESSURE



BODY LENGTH (BL)						OH
7750	8250	8750				
62	47°	59	44°	57	41°	150
68	49°	64	45°	61	42°	450
76	51°	70	47°	66	44°	750

d = 0; r = 900; Working Pressure 150 bar

#### For guidance only;

Higher working pressures and tipping capacities may be possible.

To check your application email - [applications@edbro.co.uk](mailto:applications@edbro.co.uk)

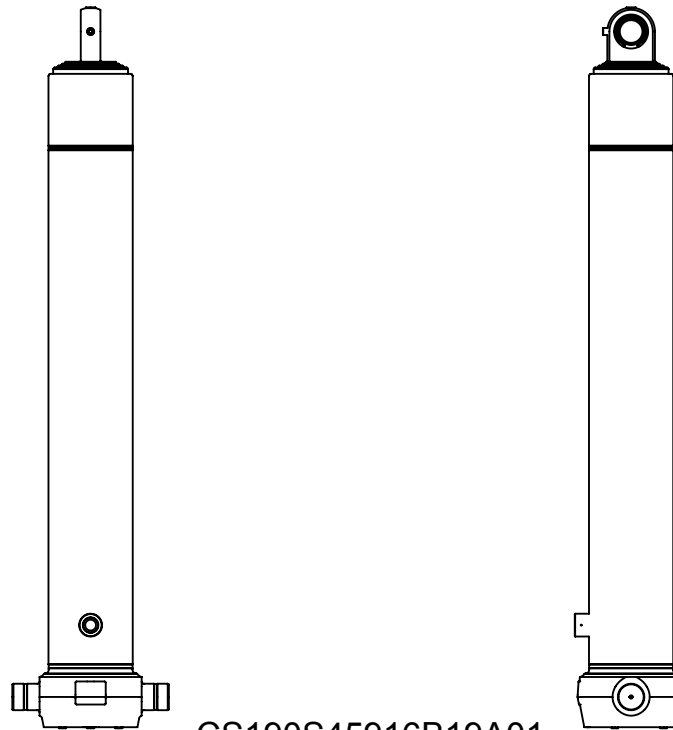
#### NOTES

1. This cylinder is for lifting purposes only and side load conditions should be avoided
2. Cylinder is painted in primer paint to RAL5013
3. Refer to [www.edbro.com](http://www.edbro.com) for:-
  - Bracket details
  - Installation instructions that must be observed
  - Correct oil selection
  - An explanation of tipping capacity



**JOST UK Ltd**  
 Edbro House, Nelson Street, Bolton, England, BL3 2JJ  
 Tel +44 (0) 1204 528888 Fax +44 (0) 1204 531957  
 Email: [sales@jost-world.com](mailto:sales@jost-world.com) Web: [www.edbro.com](http://www.edbro.com)

Technical Specifications are subject to change without notice  
 Date Created/Updated: 15 June 2017  
 Refer [www.edbro.com](http://www.edbro.com) to confirm latest specification  
 All dimensions are in 'mm', unless otherwise stated



CS190S45916B19A01