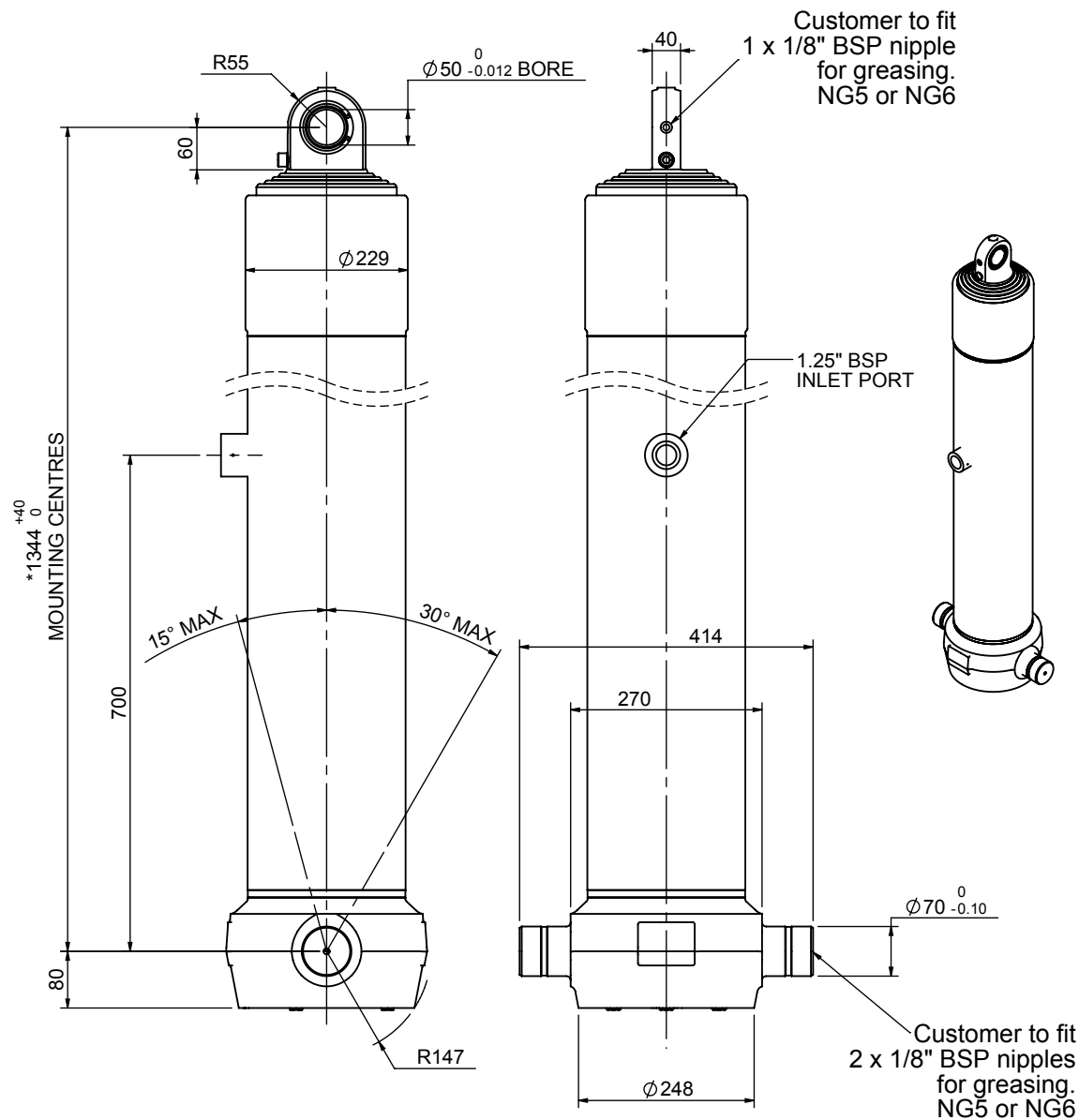


Cylinder 5 stage front end with spherical eye

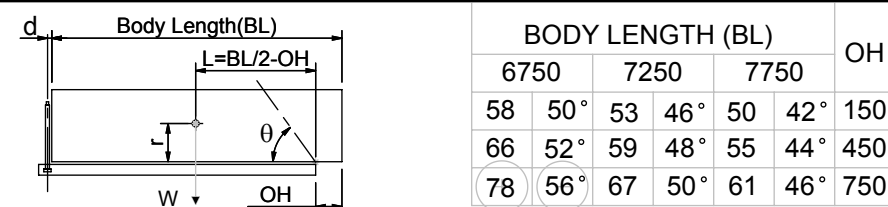
CS190S55428B70A01



SPECIFICATION TIPPING CAPACITY : 50-78 TONNES***

| Stage | Diameter | Length | Stroke | Swept Volume |
|-------------------------|----------|-------------------------|--------|--------------|
| - | - | - | - | - |
| 0 | 223 | 1328 | - | - |
| 1 | 198 | 1290 | 1054 | 32 |
| 2 | 176 | 1290 | 1077 | 26 |
| 3 | 155 | 1290 | 1087 | 21 |
| 4 | 136 | 1290 | 1097 | 16 |
| 5 | 117 | 1290 | 1112 | 12 |
| Total (+5/-10) | | | 5427 | 107 |
| Final stroke reduced by | 0 | Priming Volume | | 22 |
| Cylinder Mass (Kg) | 251 | Total Volume (Litres) | | 129 |
| Maximum Pressure (Bar) | 190 | Max. first stage thrust | | 350 KN |

***TIPPING CAPACITY AT WORKING PRESSURE



$d = 0; r = 900$; Working Pressure 165bar
For guidance only;
 Higher working pressures and tipping capacities may be possible.
 To check your application email - applications@edbro.co.uk

NOTES

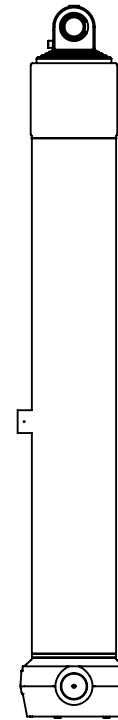
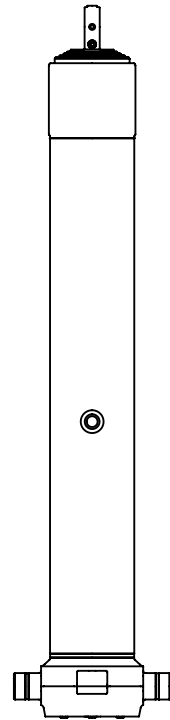
- This cylinder is for lifting purposes only and side load conditions should be avoided
- Cylinder is painted in primer paint to RAL5013
- Refer to www.edbro.com for:-
 - Bracket details
 - Installation instructions that must be observed
 - Correct oil selection
 - An explanation of tipping capacity

*Includes 10mm Pull Out. Last Stage Chrome Plated



Edbro plc
 Nelson Street, Bolton, England, BL3 2JJ
 Tel +44 (0) 1204 528888 Fax +44 (0) 1204 531957
 Email: postmaster@edbro.com Web: www.edbro.com

Technical Specifications are subject to change without notice
 Date Created/Updated: 16 July 2012
 Refer www.edbro.com to confirm latest specification
 All dimensions are in 'mm', unless otherwise stated



CS190S5-TEMPLATE