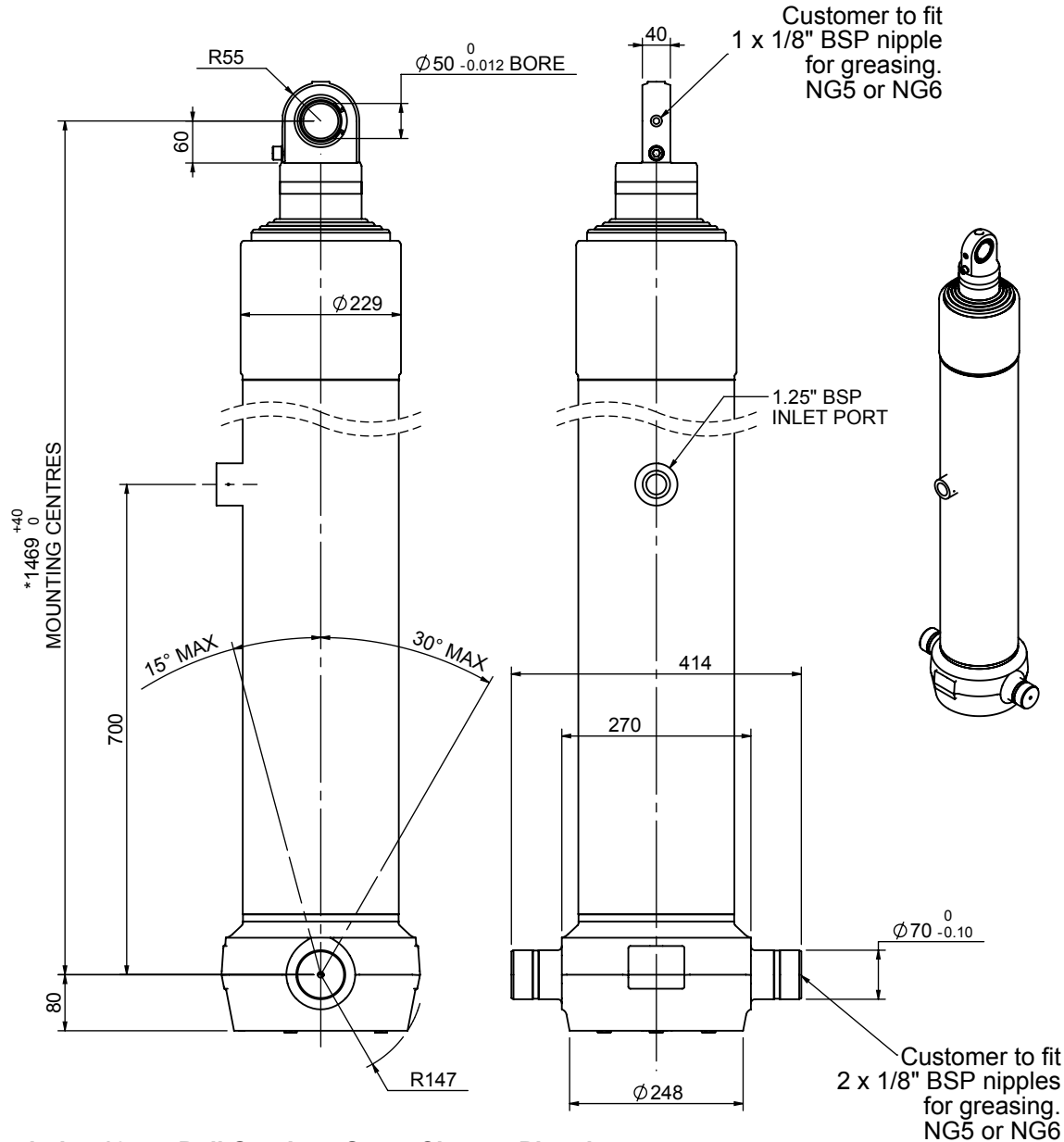


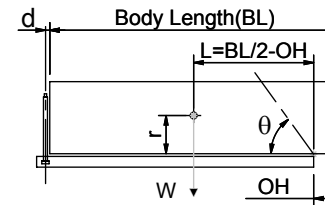
Cylinder 5 stage front end with spherical eye

CS190S55678B70L04



SPECIFICATION		TIPPING CAPACITY : 43-73 TONNES***		
Stage	Diameter	Length	Stroke	Swept Volume
-	-	-	-	-
0	223	1378	-	-
1	198	1340	1104	34
2	176	1340	1127	27
3	155	1340	1137	21
4	136	1340	1147	17
5	117	1415	662	7
Total (+5/-10)			5177	106
Final stroke reduced by	500	Priming Volume		23
Cylinder Mass (Kg)	260	Total Volume (Litres)		129
Maximum Pressure (Bar)	190	Max. first stage thrust		350 KN

***TIPPING CAPACITY AT WORKING PRESSURE



BODY LENGTH (BL)						OH
6600	7100	7600				
51	49°	46	45°	43	41°	150
59	51°	52	47°	47	43°	450
73	54°	60	49°	53	45°	750

d = 0; r = 900; Working Pressure 135 bar

For guidance only;

Higher working pressures and tipping capacities may be possible.

To check your application email - applications@edbro.co.uk

NOTES

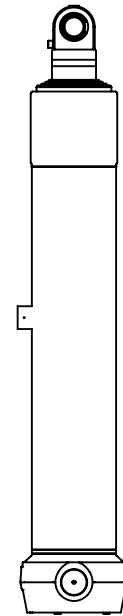
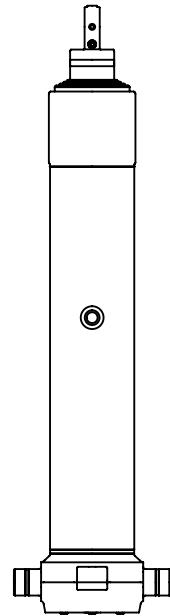
- This cylinder is for lifting purposes only and side load conditions should be avoided
- Cylinder is painted in primer paint to RAL5013
- Refer to www.edbro.com for:-
 - Bracket details
 - Installation instructions that must be observed
 - Correct oil selection
 - An explanation of tipping capacity

*Includes 10mm Pull Out. Last Stage Chrome Plated



Edbro plc
 Nelson Street, Bolton, England, BL3 2JJ
 Tel +44 (0) 1204 528888 Fax +44 (0) 1204 531957
 Email: postmaster@edbro.com Web: www.edbro.com

Technical Specifications are subject to change without notice
 Date Created/Updated: 16 July 2012
 Refer www.edbro.com to confirm latest specification
 All dimensions are in 'mm', unless otherwise stated



CS190S55678B70L04