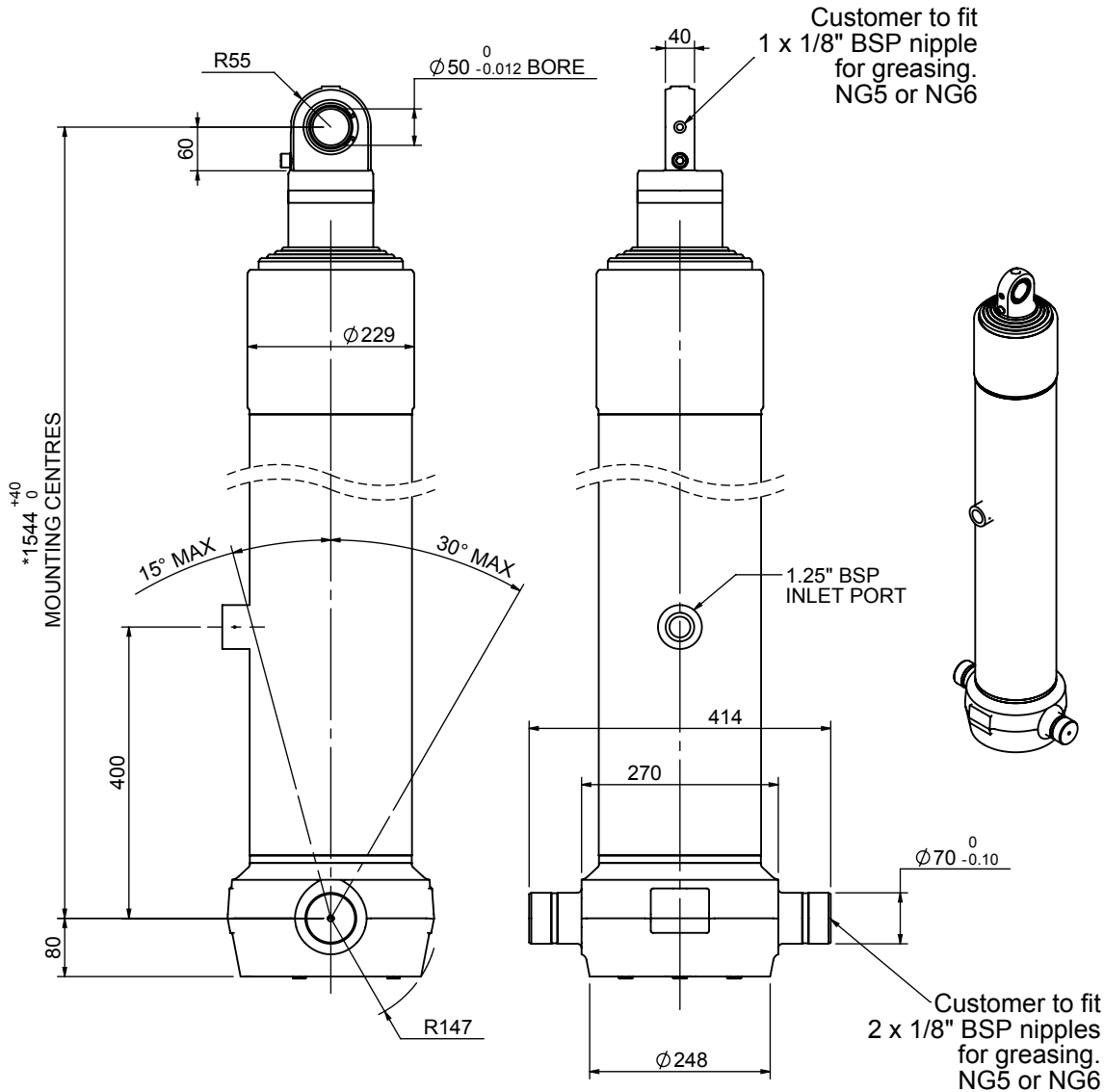


Cylinder 5 stage front end with spherical eye

CS190S55928B40A05



SPECIFICATION		TIPPING CAPACITY : 50-75 TONNES***		
Stage	Diameter	Length	Stroke	Swept Volume
-	-	-	-	-
0	223	1428	-	-
1	198	1390	1154	36
2	176	1390	1177	29
3	155	1390	1187	22
4	136	1390	1197	17
5	117	1490	1212	13
Total (+5/-10)			5927	117
Final stroke reduced by	0	Priming Volume		24
Cylinder Mass (Kg)	268	Total Volume (Litres)		141
Maximum Pressure (Bar)	190	Max. first stage thrust		350 KN

***TIPPING CAPACITY AT WORKING PRESSURE

BODY LENGTH (BL)						OH
7250		7750		8250		
57	50°	53	47°	50	44°	150
64	53°	58	49°	54	45°	450
75	56°	66	51°	60	47°	750

d = 0; r = 900; Working Pressure 165bar

For guidance only;
Higher working pressures and tipping capacities may be possible.
To check your application email - applications@edbro.co.uk

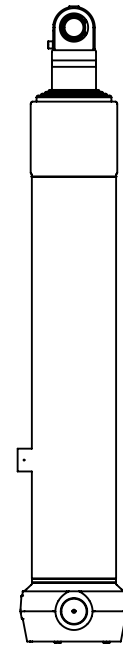
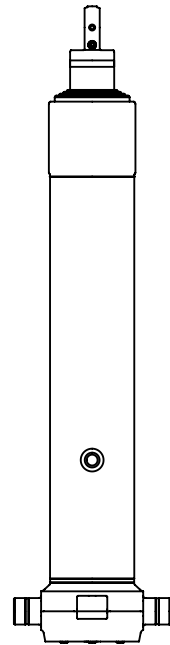
- NOTES**
- This cylinder is for lifting purposes only and side load conditions should be avoided
 - Cylinder is painted in primer paint to RAL5013
 - Refer to www.edbro.com for:
 - Bracket details
 - Installation instructions that must be observed
 - Correct oil selection
 - An explanation of tipping capacity

*Includes 10mm Pull Out. Last Stage Chrome Plated



Edbro plc
Nelson Street, Bolton, England, BL3 2JJ
Tel +44 (0) 1204 528888 Fax +44 (0) 1204 531957
Email: postmaster@edbro.com Web: www.edbro.com

Technical Specifications are subject to change without notice
Date Created/Updated: 16 July 2012
Refer www.edbro.com to confirm latest specification
All dimensions are in 'mm', unless otherwise stated



CS190S55928B40A05