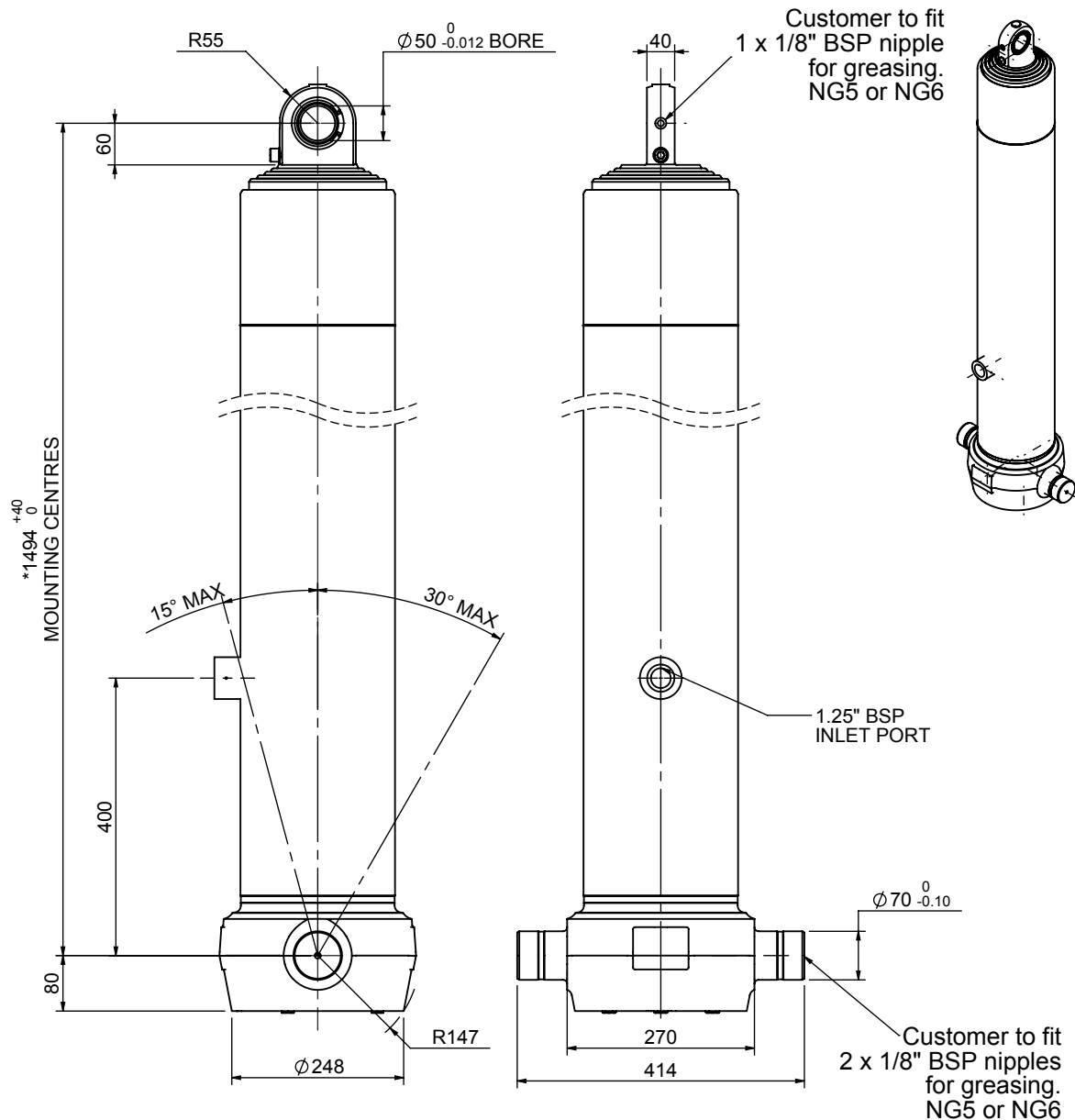


Cylinder 5 stage front end with spherical eye

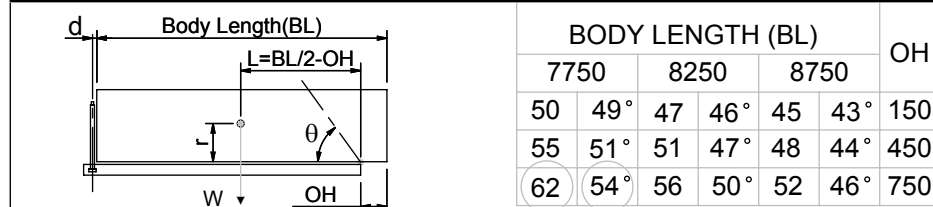
CS190S56178B40A01



SPECIFICATION

SPECIFICATION		TIPPING CAPACITY : 45-62 TONNES***		
Stage	Diameter	Length	Stroke	Swept Volume
-	-	-	-	-
0	223	1478	-	-
1	198	1440	1207	37
2	176	1440	1227	30
3	155	1440	1237	23
4	136	1440	1247	18
5	117	1440	1262	14
Total (+5/-10)			6180	122
Final stroke reduced by	0	Priming Volume		24
Cylinder Mass (Kg)	270	Total Volume (Litres)		146
Maximum Pressure (Bar)	190	Max. first stage thrust		350 KN

***TIPPING CAPACITY AT WORKING PRESSURE



d = 0; r = 900; Working Pressure 150bar
For guidance only;
 Higher working pressures and tipping capacities may be possible.
 To check your application email - applications@edbro.co.uk

NOTES

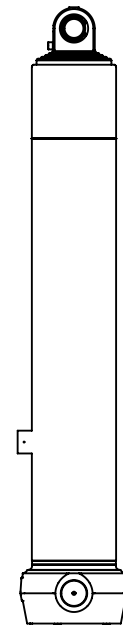
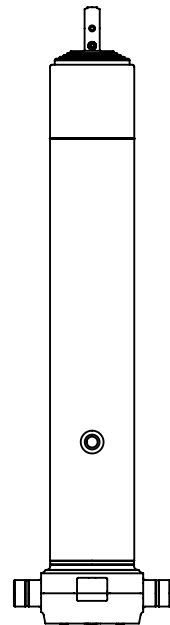
- This cylinder is for lifting purposes only and side load conditions should be avoided
- Cylinder is painted in primer paint to RAL5013
- Refer to www.edbro.com for:-
 - Bracket details
 - Installation instructions that must be observed
 - Correct oil selection
 - An explanation of tipping capacity

*Includes 10mm Pull Out. Last Stage Chrome Plated



Edbro plc
 Nelson Street, Bolton, England, BL3 2JJ
 Tel +44 (0) 1204 528888 Fax +44 (0) 1204 531957
 Email: postmaster@edbro.com Web: www.edbro.com

Technical Specifications are subject to change without notice
 Date Created/Updated: 29 May 2014
 Refer www.edbro.com to confirm latest specification
 All dimensions are in 'mm', unless otherwise stated



CS190S56178B40A01