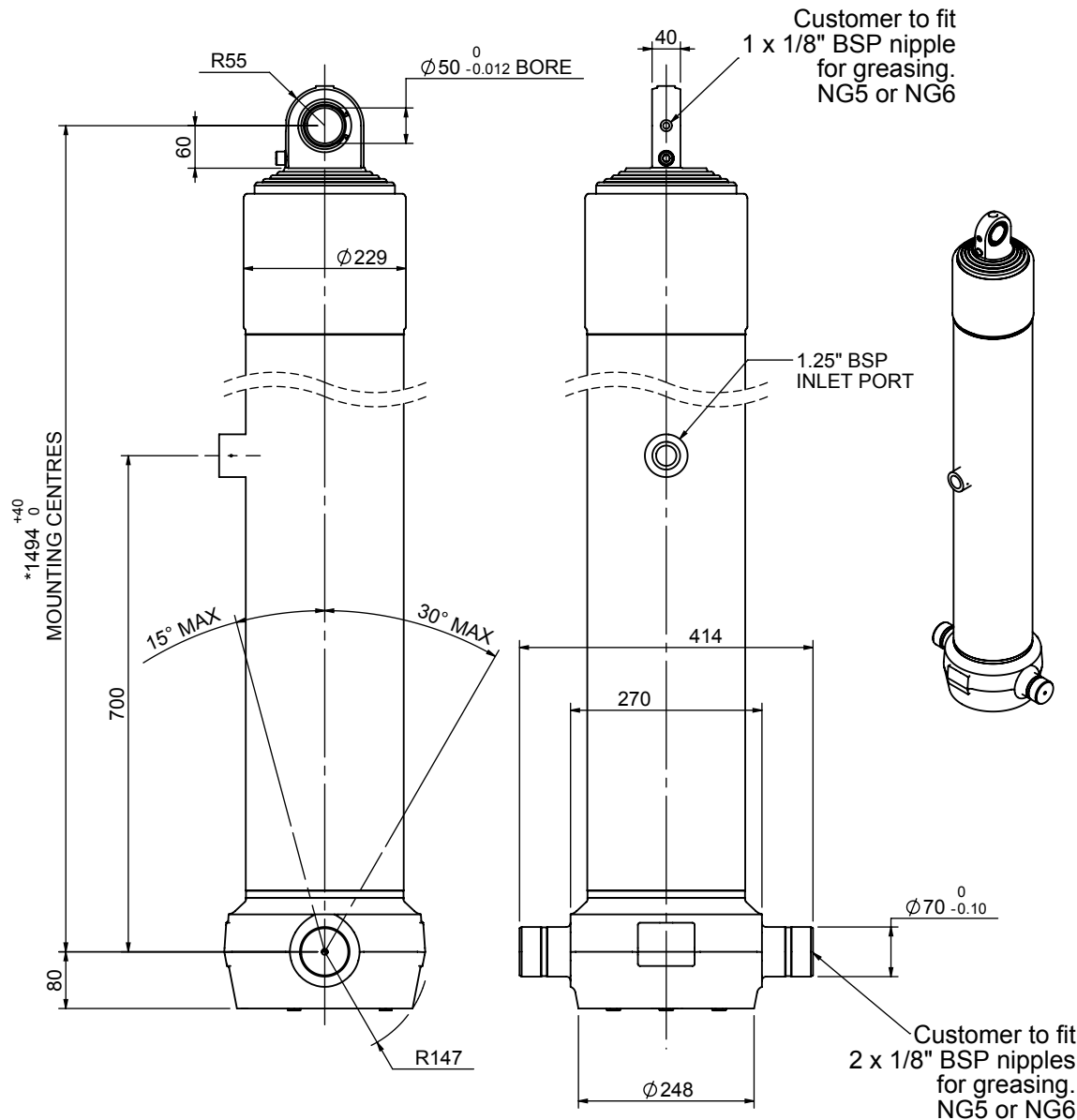


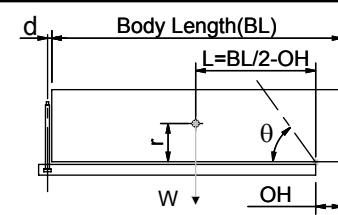
Cylinder 5 stage front end with spherical eye

CS190S56178B70A01



SPECIFICATION		TIPPING CAPACITY : 45-62 TONNES***		
Stage	Diameter	Length	Stroke	Swept Volume
-	-	-	-	-
0	223	1478	-	-
1	198	1440	1204	37
2	176	1440	1227	30
3	155	1440	1237	23
4	136	1440	1247	18
5	117	1440	1262	14
Total (+5/-10)			6177	122
Final stroke reduced by	0	Priming Volume		24
Cylinder Mass (Kg)	274	Total Volume (Litres)		146
Maximum Pressure (Bar)	190	Max. first stage thrust		350 KN

***TIPPING CAPACITY AT WORKING PRESSURE



	BODY LENGTH (BL)						OH
	7750	8250	8750	9250	9750	10250	
50	49°	47°	46°	45°	43°	150	
55	51°	51°	47°	48°	44°	450	
62	54°	56°	50°	52°	46°	750	

d = 0; r = 900; Working Pressure 150 bar
 For guidance only;
 Higher working pressures and tipping capacities may be possible.
 To check your application email - applications@edbro.co.uk

NOTES

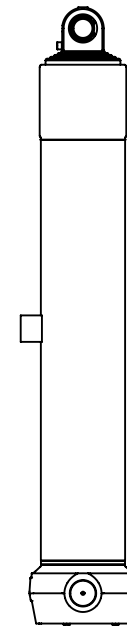
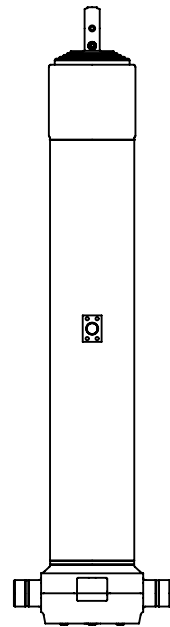
1. This cylinder is for lifting purposes only and side load conditions should be avoided
2. Cylinder is painted in primer paint to RAL5013
3. Refer to www.edbro.com for:-
 - Bracket details
 - Installation instructions that must be observed
 - Correct oil selection
 - An explanation of tipping capacity

*Includes 10mm Pull Out. Last Stage Chrome Plated



Edbro plc
 Nelson Street, Bolton, England, BL3 2JJ
 Tel +44 (0) 1204 528888 Fax +44 (0) 1204 531957
 Email: postmaster@edbro.com Web: www.edbro.com

Technical Specifications are subject to change without notice
 Date Created/Updated: 16 July 2012
 Refer www.edbro.com to confirm latest specification
 All dimensions are in 'mm', unless otherwise stated



CS190S56178S70A01