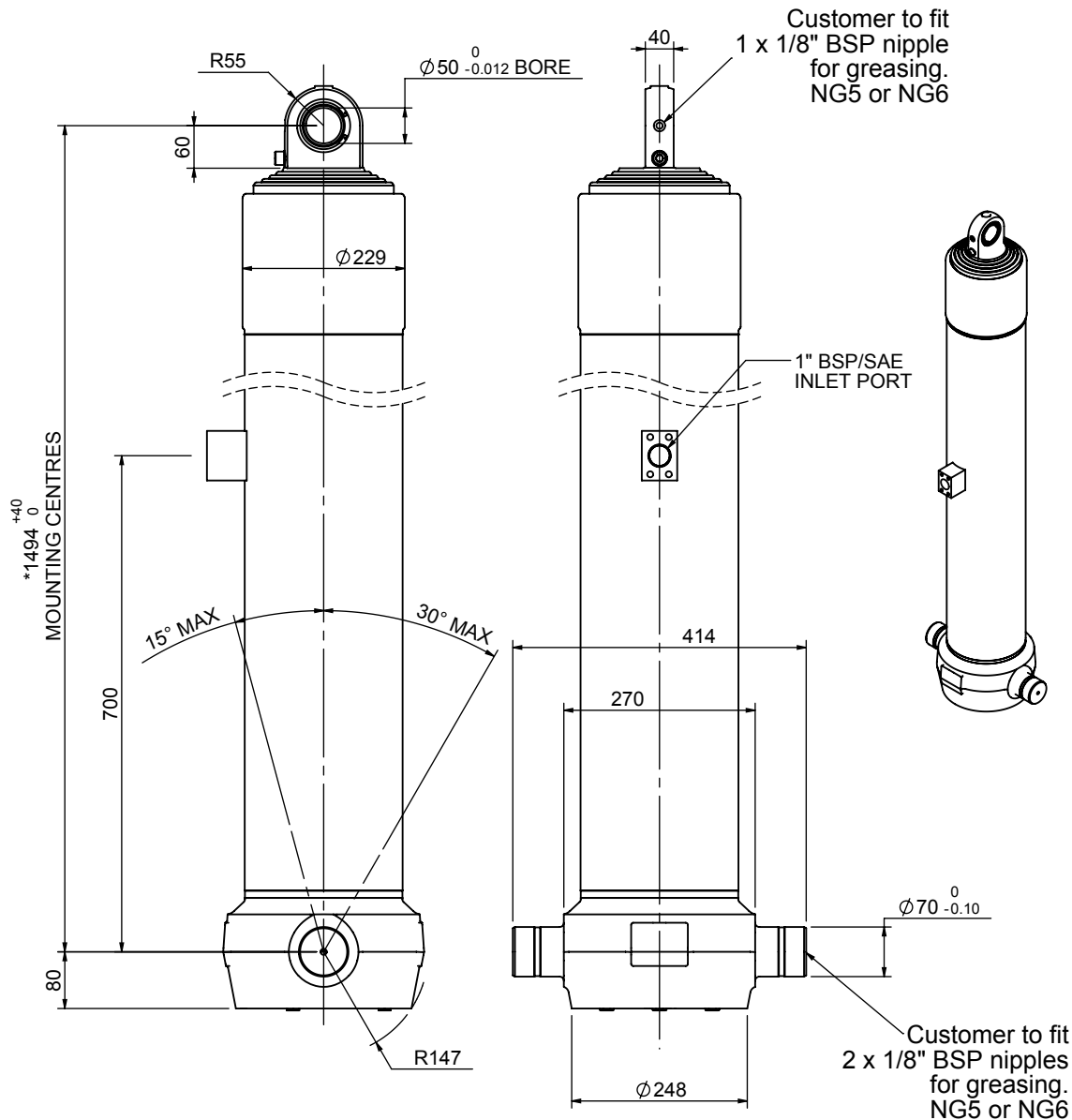


Cylinder 5 stage front end with spherical eye

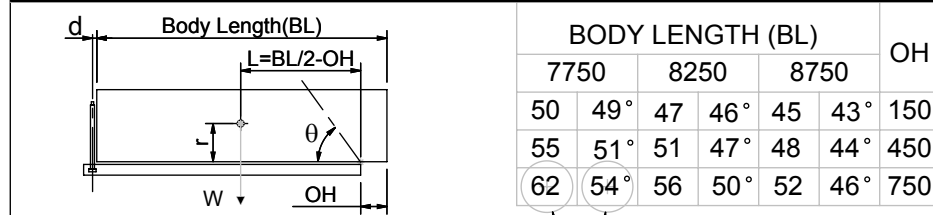
CS190S56178S70A01



SPECIFICATION

| SPECIFICATION | | TIPPING CAPACITY : 45-62 TONNES*** | | |
|-------------------------|----------|------------------------------------|--------|--------------|
| Stage | Diameter | Length | Stroke | Swept Volume |
| - | - | - | - | - |
| 0 | 223 | 1478 | - | - |
| 1 | 198 | 1440 | 1204 | 37 |
| 2 | 176 | 1440 | 1227 | 30 |
| 3 | 155 | 1440 | 1237 | 23 |
| 4 | 136 | 1440 | 1247 | 18 |
| 5 | 117 | 1440 | 1262 | 14 |
| Total (+5/-10) | | | 6177 | 122 |
| Final stroke reduced by | 0 | Priming Volume | | 24 |
| Cylinder Mass (Kg) | 275 | Total Volume (Litres) | | 146 |
| Maximum Pressure (Bar) | 190 | Max. first stage thrust | | 350 KN |

***TIPPING CAPACITY AT WORKING PRESSURE



d = 0; r = 900; Working Pressure 150 bar

For guidance only;
Higher working pressures and tipping capacities may be possible.
To check your application email - applications@edbro.co.uk

NOTES

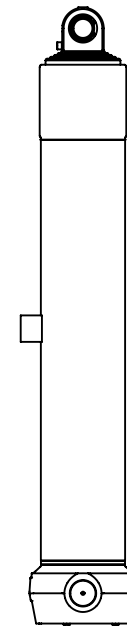
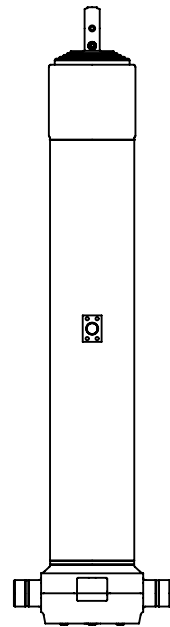
- This cylinder is for lifting purposes only and side load conditions should be avoided
- Cylinder is painted in primer paint to RAL5013
- Refer to www.edbro.com for:-
 - Bracket details
 - Installation instructions that must be observed
 - Correct oil selection
 - An explanation of tipping capacity

*Includes 10mm Pull Out. Last Stage Chrome Plated



Edbro plc
Nelson Street, Bolton, England, BL3 2JJ
Tel +44 (0) 1204 528888 Fax +44 (0) 1204 531957
Email: postmaster@edbro.com Web: www.edbro.com

Technical Specifications are subject to change without notice
Date Created/Updated: 16 July 2012
Refer www.edbro.com to confirm latest specification
All dimensions are in 'mm', unless otherwise stated



CS190S56178S70A01