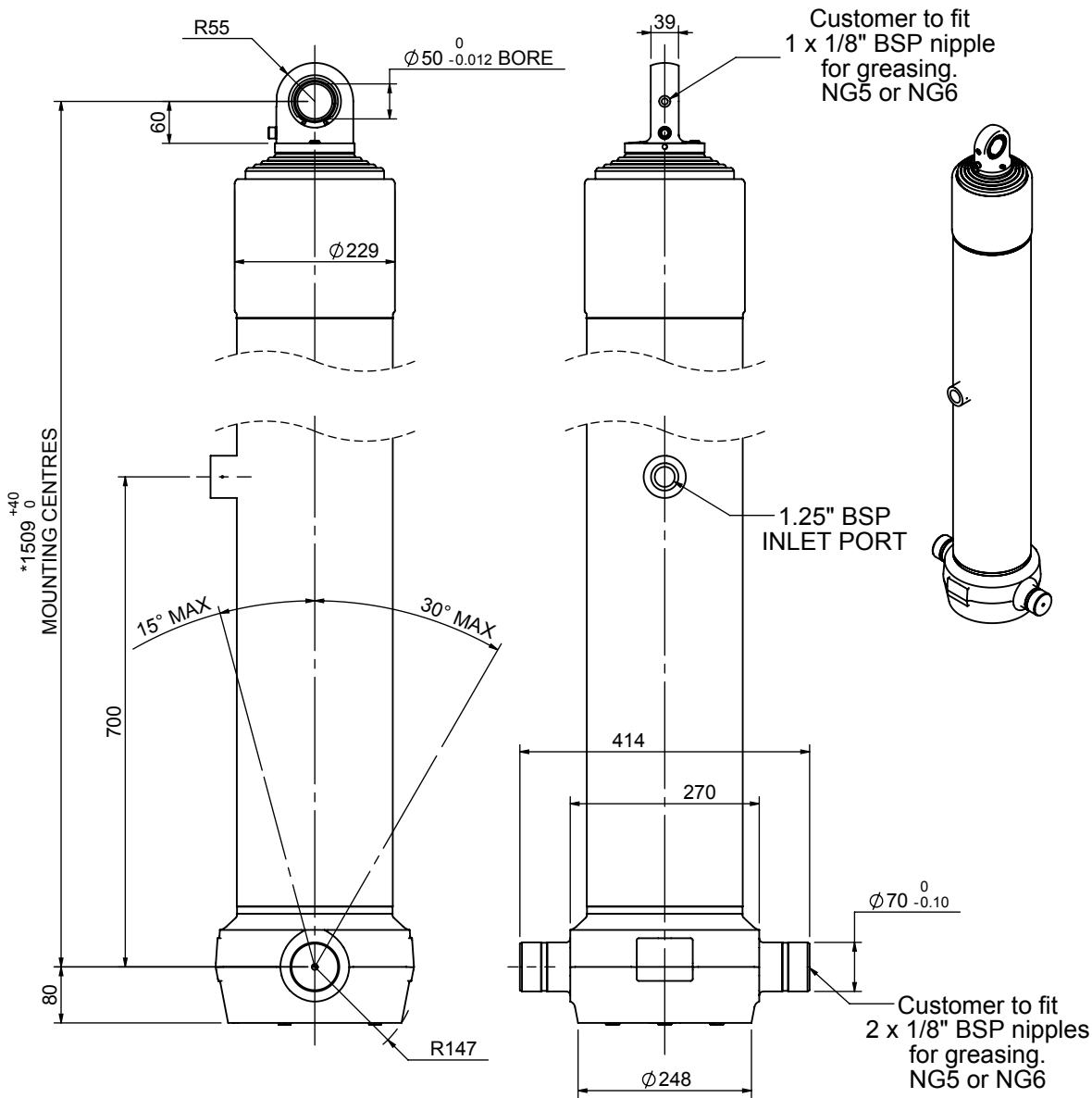


# Cylinder 6 stage front end with spherical eye



# CS190S66995B70K01C

SPECIFICATION		TIPPING CAPACITY : 30-41 TONNES***		
Stage	Diameter	Length	Stroke	Swept Volume
0	223	1478	-	-
1	198	1440	1204	37
2	176	1440	1227	30
3	155	1440	1237	23
4	136	1440	1247	18
5	117	1440	1262	14
6	98	1440	1267	9
Total (+5/-10)			7444	131
Final stroke reduced by	450	Priming Volume		23
Cylinder Mass (Kg)	293	Total Volume (Litres)		391
Maximum Pressure (Bar)	190	Max. first stage thrust		350 KN

**\*\*\*TIPPING CAPACITY AT WORKING PRESSURE**

BODY LENGTH (BL)						OH
8750		9250		9750		
33	49°	31	46°	30	43°	150
37	51°	34	48°	32	45°	450
41	53°	37	49°	34	46°	750

d = 0; r = 900; Working Pressure 135 bar  
**For guidance only;**  
 Higher working pressures and tipping capacities may be possible.  
 To check your application email - [applications@edbro.co.uk](mailto:applications@edbro.co.uk)

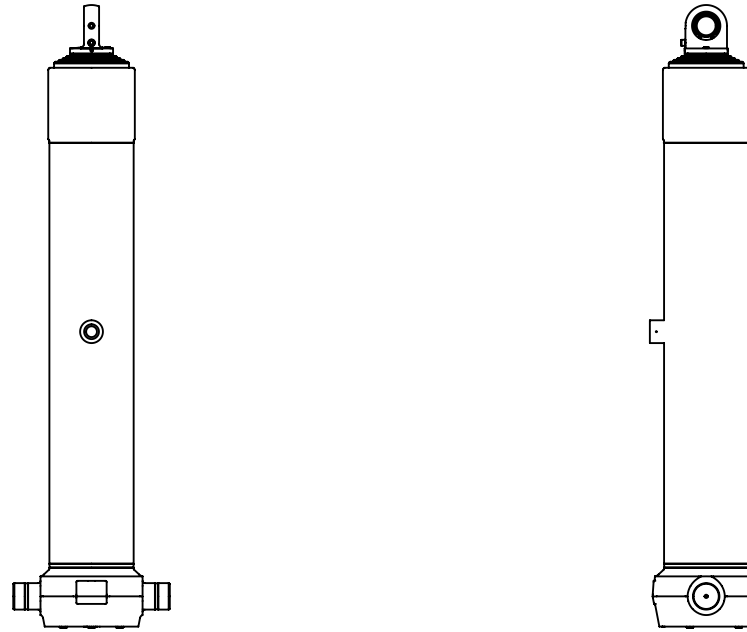
- NOTES**
- This cylinder is for lifting purposes only and side load conditions should be avoided
  - Cylinder is painted in primer paint to RAL5013
  - Refer to [www.edbro.com](http://www.edbro.com) for:-
    - Bracket details
    - Installation instructions that must be observed
    - Correct oil selection
    - An explanation of tipping capacity

\*Includes 10mm Pull Out. All Stages Chrome Plated



**Edbro plc**  
 Nelson Street, Bolton, England, BL3 2JJ  
 Tel +44 (0) 1204 528888 Fax +44 (0) 1204 531957  
 Email: [postmaster@edbro.com](mailto:postmaster@edbro.com) Web: [www.edbro.com](http://www.edbro.com)

Technical Specifications are subject to change without notice  
 Date Created/Updated: 16 July 2012  
 Refer [www.edbro.com](http://www.edbro.com) to confirm latest specification  
 All dimensions are in 'mm', unless otherwise stated



CS190S66995B70K01C