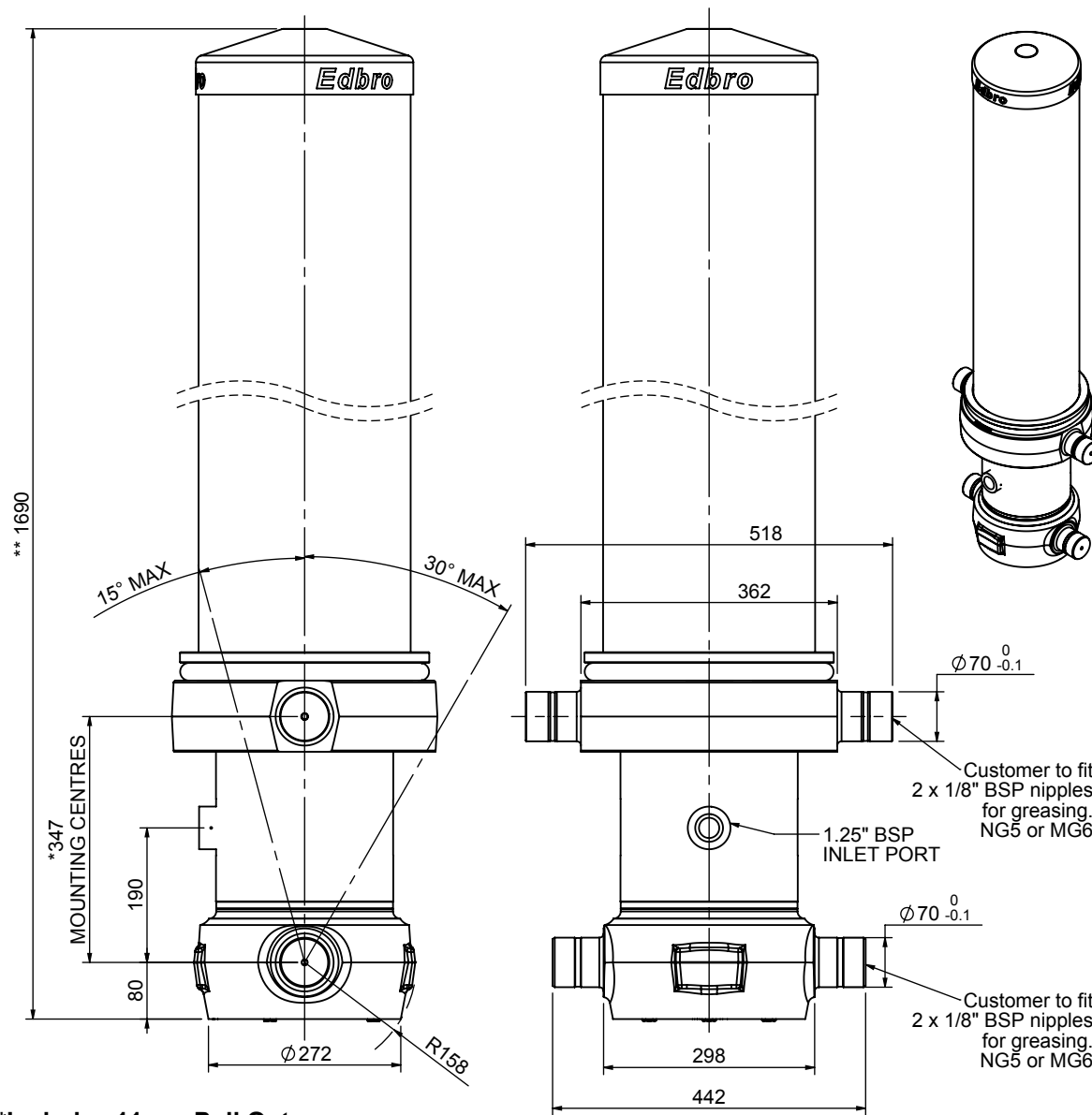


Cylinder 5 stage front end with outer cover

**ALLOW 50mm TO REMOVE CAP FOR SERVICING

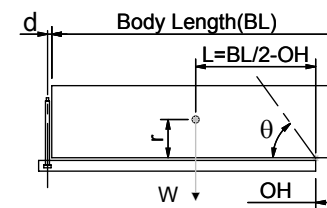


*Includes 11mm Pull Out.

CS220056530B19A11

SPECIFICATION		TIPPING CAPACITY : 64-90 TONNES***		
Stage	Diameter	Length	Stroke	Swept Volume
OUTER COVER	299	1225	-	-
0	250	1558	-	-
1	222	1520	1279	50
2	198	1520	1298	40
3	176	1520	1307	32
4	155	1520	1317	25
5	136	1520	1327	19
Total (+5/-10)			6528	166
Final stroke reduced by	0	Priming Volume		32
Cylinder Mass (Kg)	446	Total Volume (Litres)		198
Maximum Pressure (Bar)	190	Max. first stage thrust		350 KN

***TIPPING CAPACITY AT WORKING PRESSURE



BODY LENGTH (BL)						OH
8250	8500	8750				
72	46°	70	45°	68	44°	200
80	48°	77	47°	74	45°	500
90	50°	85	49°	81	47°	800

d = 0; r = 1200; Working Pressure 150 bar

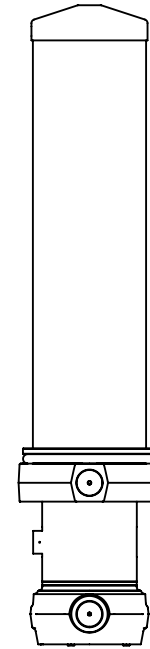
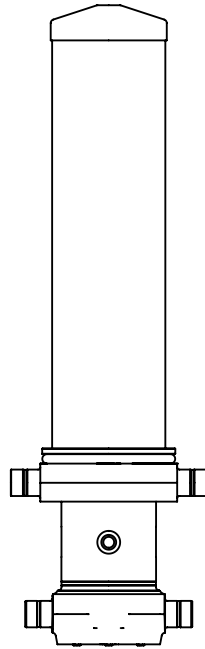
For guidance only;

Higher working pressures and tipping capacities may be possible.

To check your application email - applications@edbro.co.uk

NOTES

1. This cylinder is for lifting purposes only and side load conditions should be avoided
2. Cylinder is painted in primer paint to RAL5013
3. Refer to www.edbro.com for:-
 - Bracket details
 - Installation instructions that must be observed
 - Correct oil selection
 - An explanation of tipping capacity



CS220056530B19A11