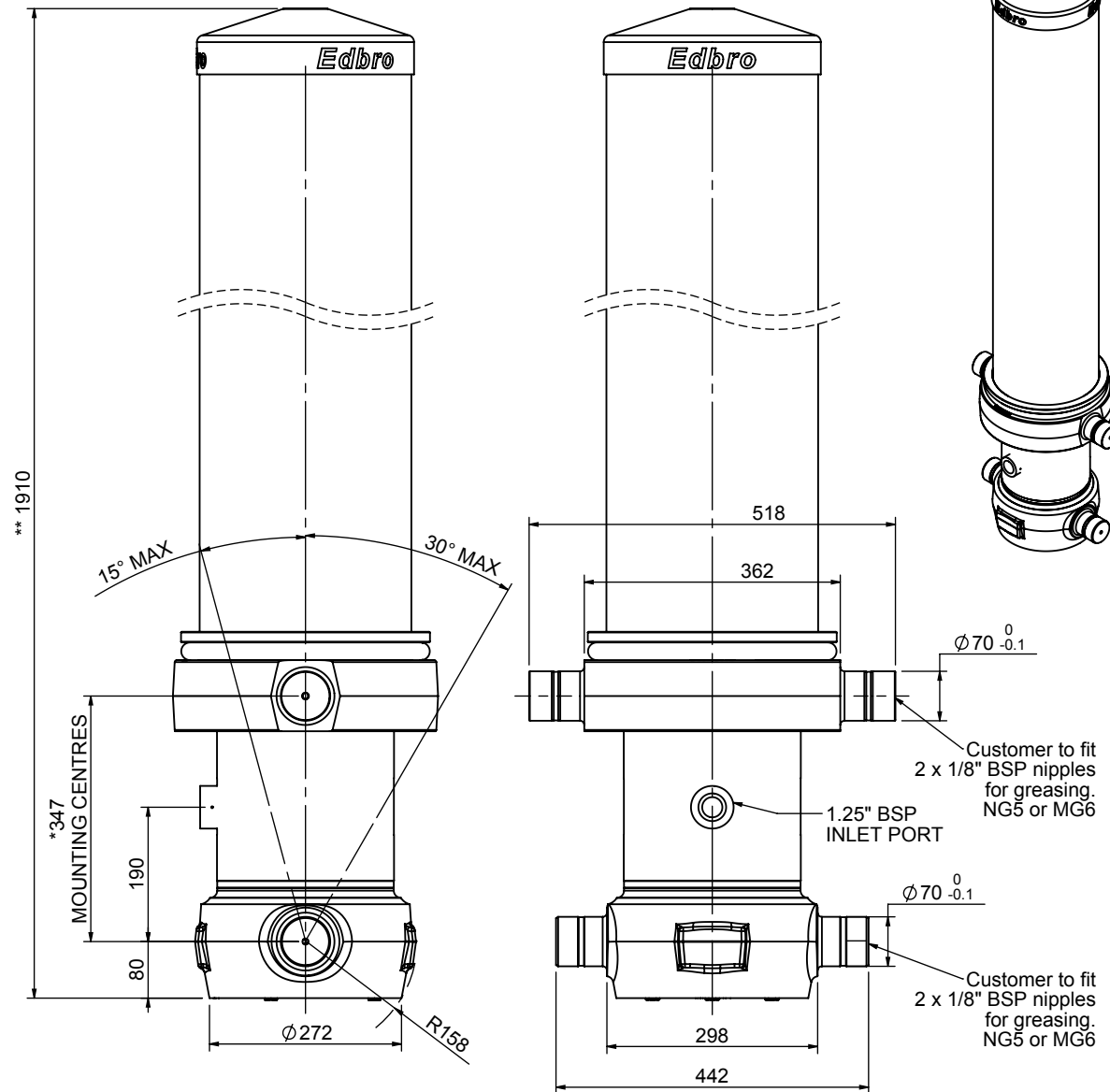


# Cylinder 5 stage front end with outer cover

\*\*ALLOW 50mm TO REMOVE CAP FOR SERVICING

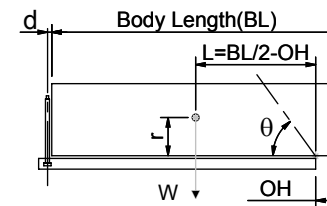


\*Includes 11mm Pull Out.

## CS220057630B19A11

SPECIFICATION		TIPPING CAPACITY : 67-84 TONNES***		
Stage	Diameter	Length	Stroke	Swept Volume
OUTER COVER	299	1445	-	-
0	250	1778	-	-
1	222	1740	1499	58
2	198	1740	1518	47
3	176	1740	1527	37
4	155	1740	1537	29
5	136	1740	1547	22
Total (+5/-10)			7628	193
Final stroke reduced by	0	Priming Volume		37
Cylinder Mass (Kg)	497	Total Volume (Litres)		230
Maximum Pressure (Bar)	190	Max. first stage thrust		350 KN

### \*\*\*TIPPING CAPACITY AT WORKING PRESSURE



BODY LENGTH (BL)						OH
9500	9750	10000				
70	47°	68	46°	67	45°	200
76	49°	74	48°	72	46°	500
84	51°	81	49°	78	48°	800

d = 0; r = 1200; Working Pressure 150 bar

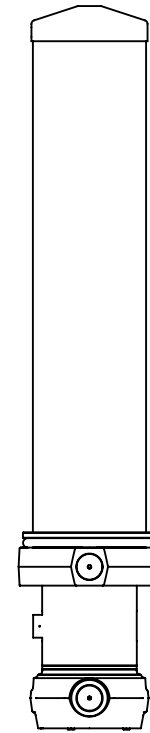
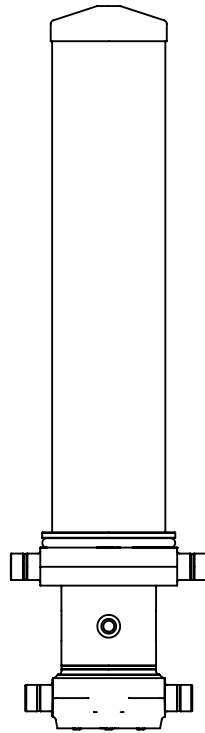
### For guidance only;

Higher working pressures and tipping capacities may be possible.

To check your application email - [applications@edbro.co.uk](mailto:applications@edbro.co.uk)

### NOTES

1. This cylinder is for lifting purposes only and side load conditions should be avoided
2. Cylinder is painted in primer paint to RAL5013
3. Refer to [www.edbro.com](http://www.edbro.com) for:-
  - Bracket details
  - Installation instructions that must be observed
  - Correct oil selection
  - An explanation of tipping capacity



CS220057630B19A11