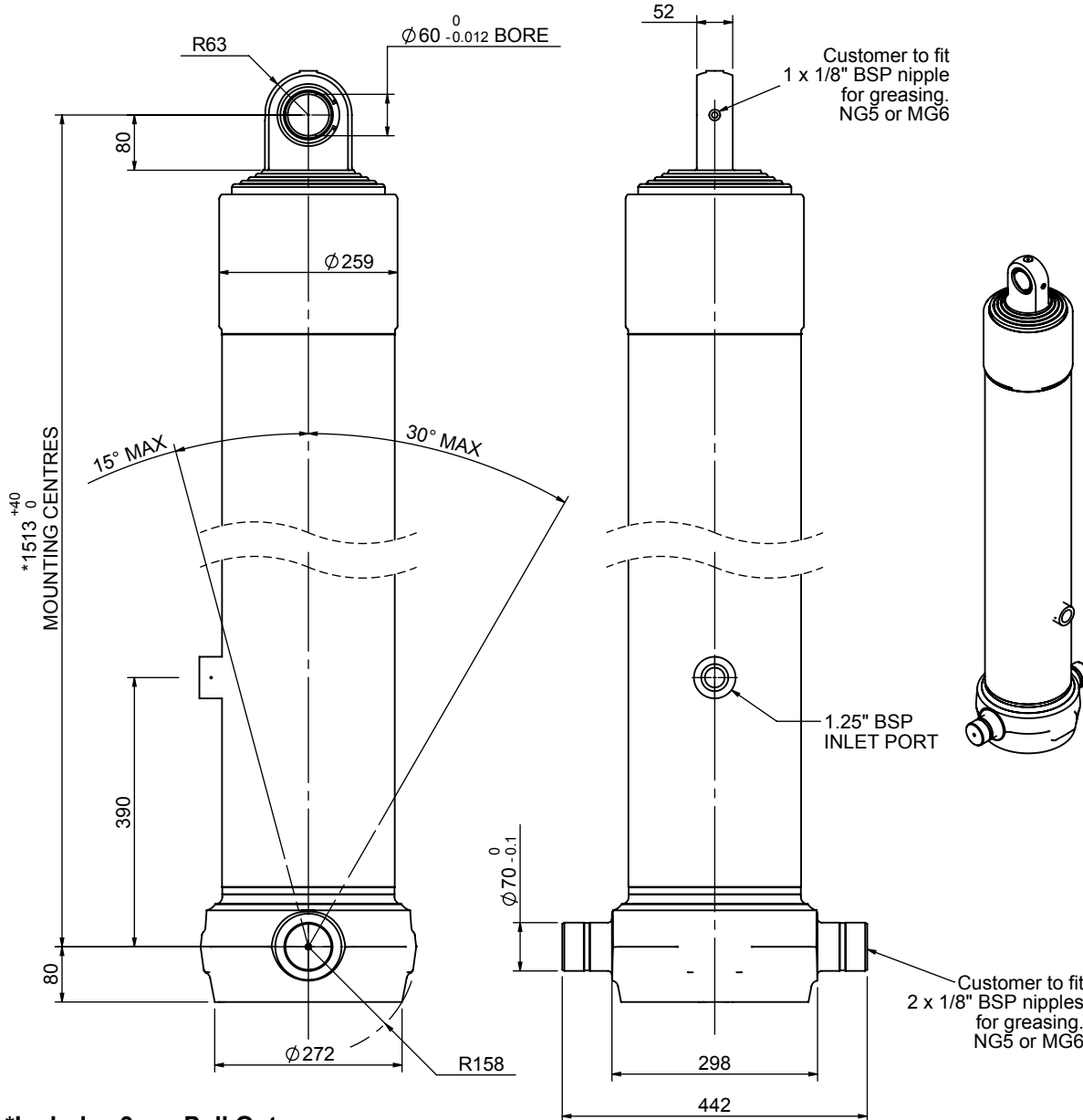


# Cylinder 5 stage front end with spherical bearing

# CS220S56030B39CAE

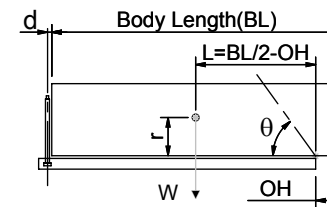


\*Includes 9mm Pull Out.  
Last Stage Chrome Plated

## SPECIFICATION TIPPING CAPACITY : 74-95 TONNES\*\*\*

Stage	Diameter	Length	Stroke	Swept Volume
-	-	-	-	-
0	250	1478	-	-
1	222	1440	1201	46
2	198	1440	1218	38
3	176	1440	1227	30
4	155	1440	1237	23
5	136	1440	1147	17
Total (+5/-10)			6030	154
Final stroke reduced by	100	Priming Volume		16
Cylinder Mass (Kg)	367	Total Volume (Litres)		170
Maximum Pressure (Bar)	190	Max. first stage thrust		400 KN

## \*\*\*TIPPING CAPACITY AT WORKING PRESSURE



BODY LENGTH (BL)						OH
8000	8200		8400			
78	46°	76	45°	74	44°	200
87	48°	84	47°	81	46°	500
		95	49°	91	48°	800

$d = 0$ ;  $r = 1200$ ; Working Pressure 165 bar

### For guidance only;

Higher working pressures and tipping capacities may be possible.

To check your application email - [applications@edbro.co.uk](mailto:applications@edbro.co.uk)

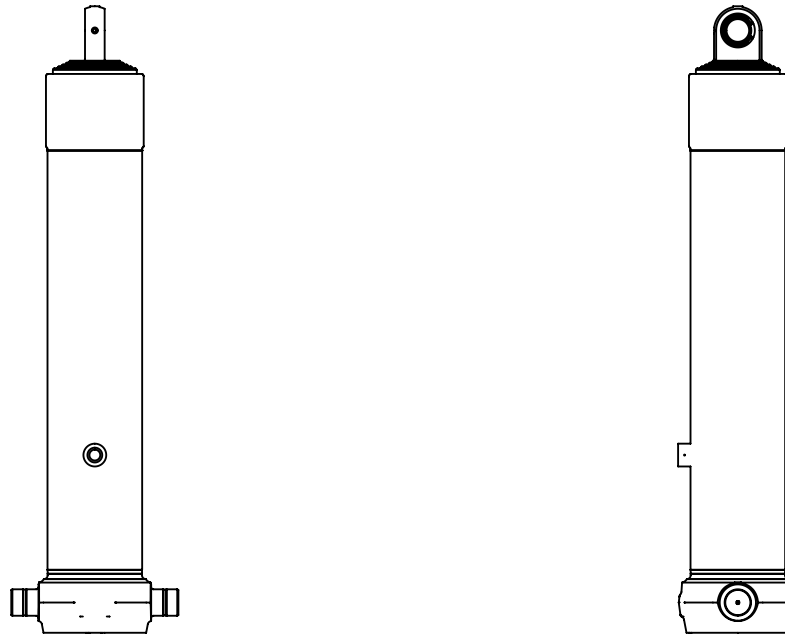
## NOTES

1. This cylinder is for lifting purposes only and side load conditions should be avoided
2. Cylinder is painted in primer paint to RAL5013
3. Refer to [www.edbro.com](http://www.edbro.com) for:-
  - Bracket details
  - Installation instructions that must be observed
  - Correct oil selection
  - An explanation of tipping capacity

**Edbro**  
SETTING THE INDUSTRY STANDARD

**Edbro plc**  
Nelson Street, Bolton, England, BL3 2JJ  
Tel +44 (0) 1204 528888 Fax +44 (0) 1204 531957  
Email: [postmaster@edbro.com](mailto:postmaster@edbro.com) Web: [www.edbro.com](http://www.edbro.com)

Technical Specifications are subject to change without notice  
Date Created/Updated: 11 March 2013  
Refer [www.edbro.com](http://www.edbro.com) to confirm latest specification  
All dimensions are in 'mm', unless otherwise stated



CS220S56030B39CAE