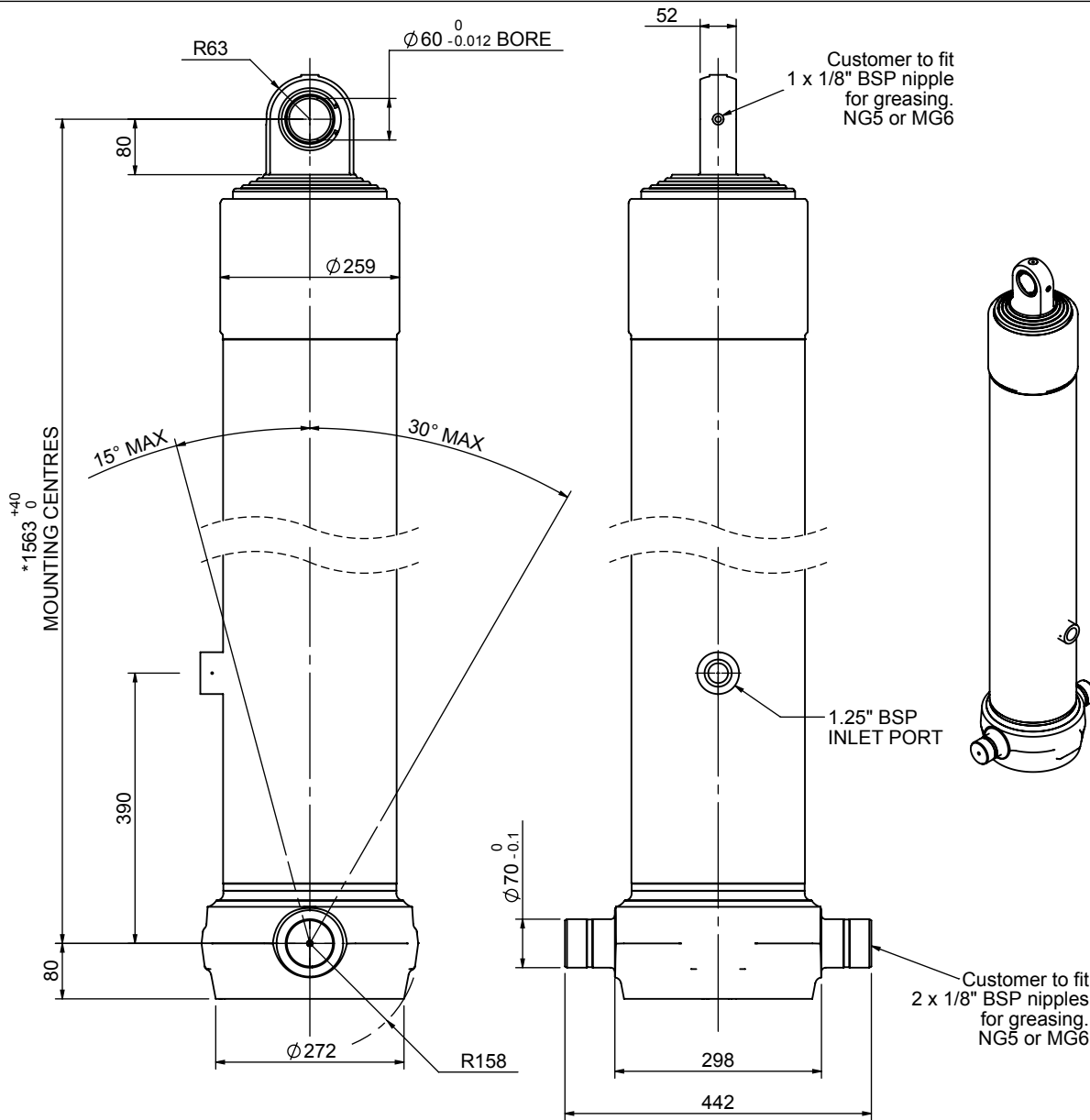


Cylinder 5 stage front end with spherical bearing

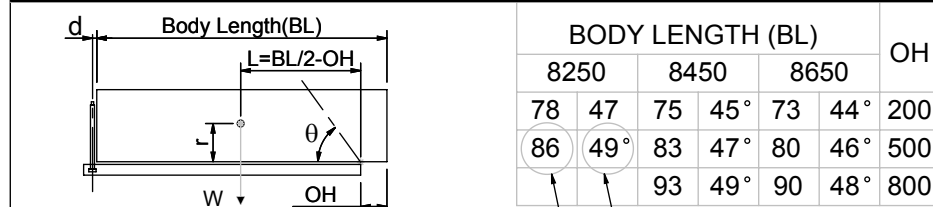
CS220S56280B39CAE



SPECIFICATION

SPECIFICATION		TIPPING CAPACITY : 73-93 TONNES***		
Stage	Diameter	Length	Stroke	Swept Volume
-	-	-	-	-
0	250	1528	-	-
1	222	1490	1251	48
2	198	1490	1268	39
3	176	1490	1277	31
4	155	1490	1287	24
5	136	1490	1197	17
Total (+5/-10)			6280	159
Final stroke reduced by	100	Priming Volume		16.5
Cylinder Mass (Kg)	377	Total Volume (Litres)		175.5
Maximum Pressure (Bar)	190	Max. first stage thrust		400 KN

***TIPPING CAPACITY AT WORKING PRESSURE



d = 0; r = 1200; Working Pressure 165 bar
 Tipping angle (θ)
 Body + payload mass, W (tonne)

For guidance only;
 Higher working pressures and tipping capacities may be possible.
 To check your application email - applications@edbro.co.uk

NOTES

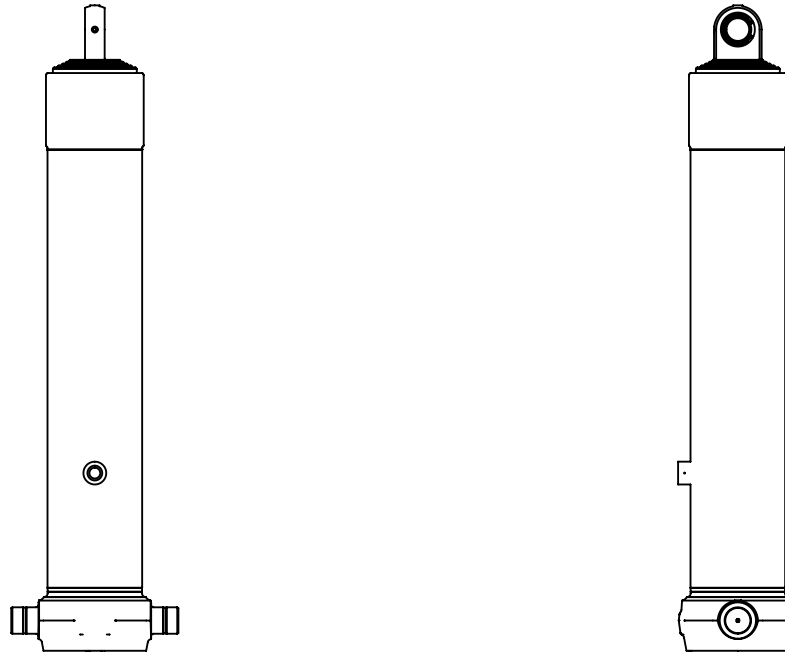
- This cylinder is for lifting purposes only and side load conditions should be avoided
- Cylinder is painted in primer paint to RAL5013
- Refer to www.edbro.com for:-
 - Bracket details
 - Installation instructions that must be observed
 - Correct oil selection
 - An explanation of tipping capacity

*Includes 9mm Pull Out.
 Last Stage Chrome Plated



Edbro plc
 Nelson Street, Bolton, England, BL3 2JJ
 Tel +44 (0) 1204 528888 Fax +44 (0) 1204 531957
 Email: postmaster@edbro.com Web: www.edbro.com

Technical Specifications are subject to change without notice
 Date Created/Updated: 11 March 2013
 Refer www.edbro.com to confirm latest specification
 All dimensions are in 'mm', unless otherwise stated



CS220S56280B39CAE