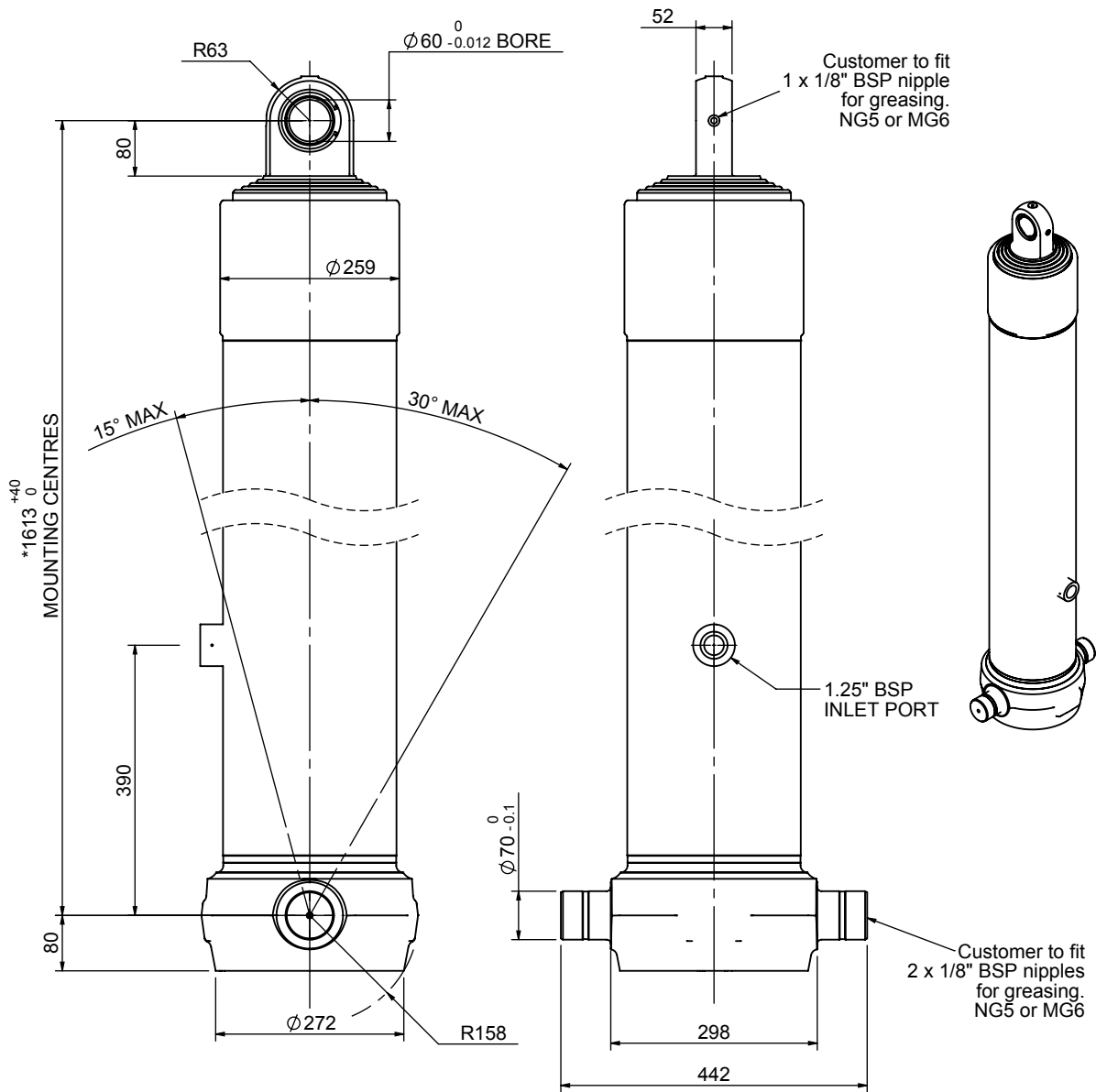


Cylinder 5 stage front end with spherical bearing

CS220S56530B39CAE



SPECIFICATION		TIPPING CAPACITY : 73-92 TONNES***		
Stage	Diameter	Length	Stroke	Swept Volume
-	-	-	-	-
0	250	1578	-	-
1	222	1540	1301	50
2	198	1540	1318	41
3	176	1540	1327	32
4	155	1540	1337	25
5	136	1540	1247	18
Total (+5/-10)			6530	166
Final stroke reduced by	100	Priming Volume		17
Cylinder Mass (Kg)	387	Total Volume (Litres)		183
Maximum Pressure (Bar)	190	Max. first stage thrust		400 KN

***TIPPING CAPACITY AT WORKING PRESSURE

BODY LENGTH (BL)					OH	
8500	8700		8900			
77	47°	75	46°	73	45°	200
85	49°	83	48°	80	47°	500
		92	50°	89	48°	800

d = 0; r = 1200; Working Pressure 165 bar

For guidance only;
Higher working pressures and tipping capacities may be possible.
To check your application email - applications@edbro.co.uk

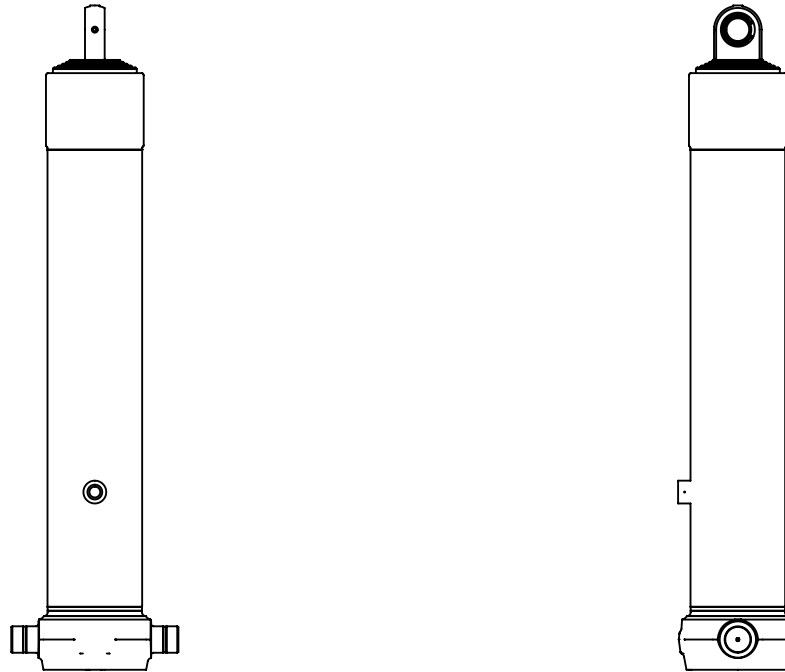
- NOTES**
- This cylinder is for lifting purposes only and side load conditions should be avoided
 - Cylinder is painted in primer paint to RAL5013
 - Refer to www.edbro.com for:-
 - Bracket details
 - Installation instructions that must be observed
 - Correct oil selection
 - An explanation of tipping capacity

*Includes 9mm Pull Out.
Last Stage Chrome Plated



Edbro plc
Nelson Street, Bolton, England, BL3 2JJ
Tel +44 (0) 1204 528888 Fax +44 (0) 1204 531957
Email: postmaster@edbro.com Web: www.edbro.com

Technical Specifications are subject to change without notice
Date Created/Updated: 11 March 2013
Refer www.edbro.com to confirm latest specification
All dimensions are in 'mm', unless otherwise stated



CS220S56530B39CAE