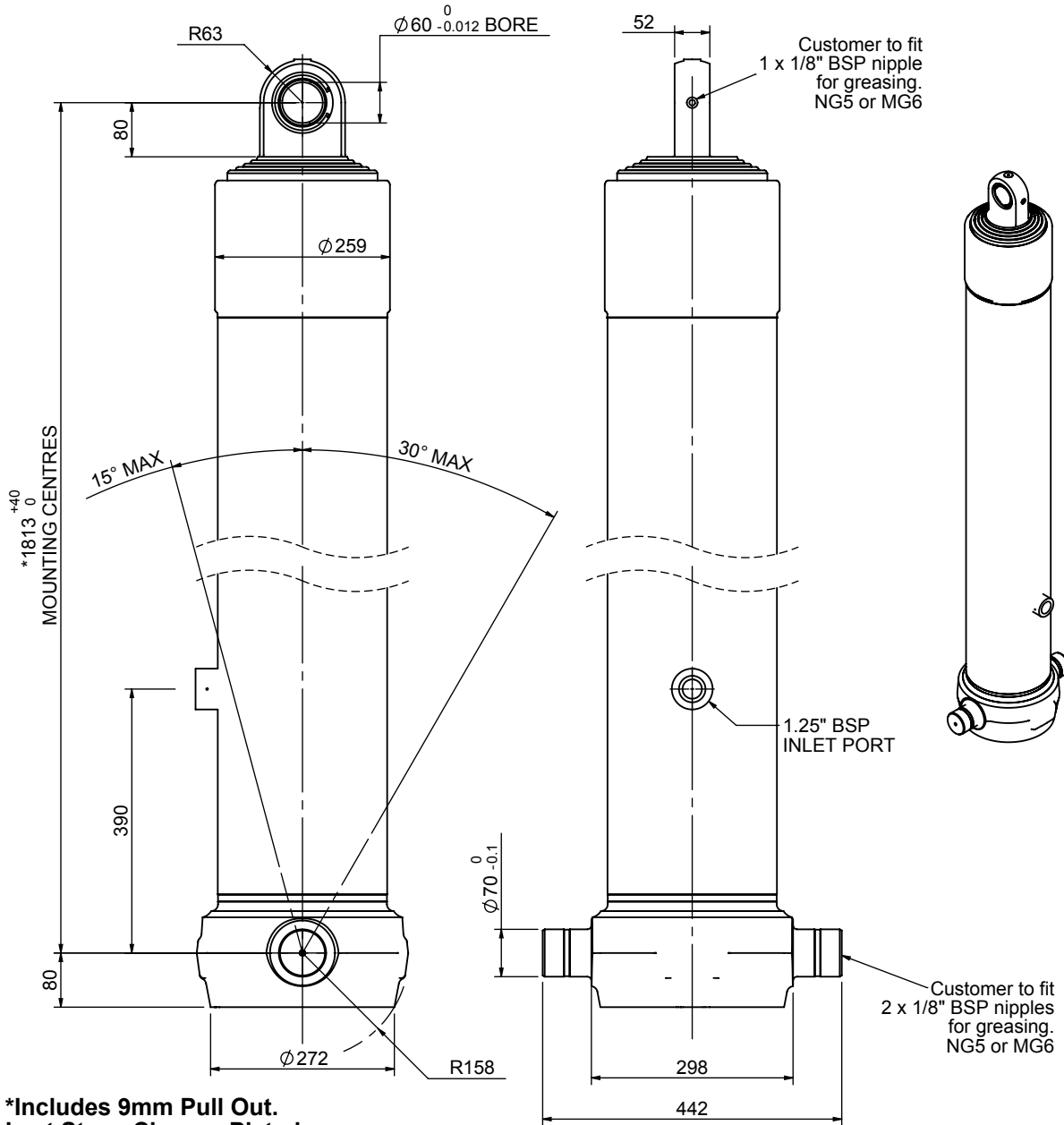


Cylinder 5 stage front end with spherical bearing

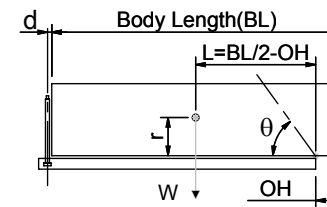
CS220S57530B39CAE



SPECIFICATION TIPPING CAPACITY : 59-75 TONNES***

Stage	Diameter	Length	Stroke	Swept Volume
-	-	-	-	-
0	250	1778	-	-
1	222	1740	1501	58
2	198	1740	1518	47
3	176	1740	1527	37
4	155	1740	1537	29
5	136	1740	1447	21
Total (+5/-10)			7530	192
Final stroke reduced by	100	Priming Volume		19
Cylinder Mass (Kg)	429	Total Volume (Litres)		211
Maximum Pressure (Bar)	190	Max. first stage thrust		400 KN

***TIPPING CAPACITY AT WORKING PRESSURE



BODY LENGTH (BL)						OH
9500	9700	9900				
62	49°	61	48°	59	46°	200
68	50°	66	49°	64	48°	500
75	52°	72	51°	70	50°	800

$d = 0$; $r = 1200$; Working Pressure 135 bar

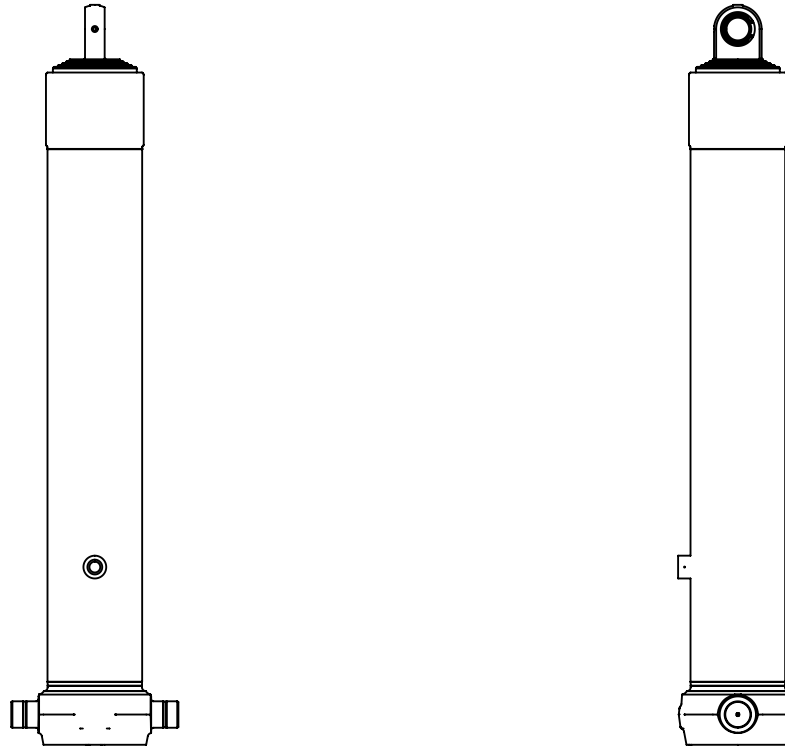
Tipping angle (θ)
Body + payload mass, W (tonne)

For guidance only;

Higher working pressures and tipping capacities may be possible.
To check your application email - applications@edbro.co.uk

NOTES

- This cylinder is for lifting purposes only and side load conditions should be avoided
- Cylinder is painted in primer paint to RAL5013
- Refer to www.edbro.com for:-
 - Bracket details
 - Installation instructions that must be observed
 - Correct oil selection
 - An explanation of tipping capacity



CS220S57530B39CAE