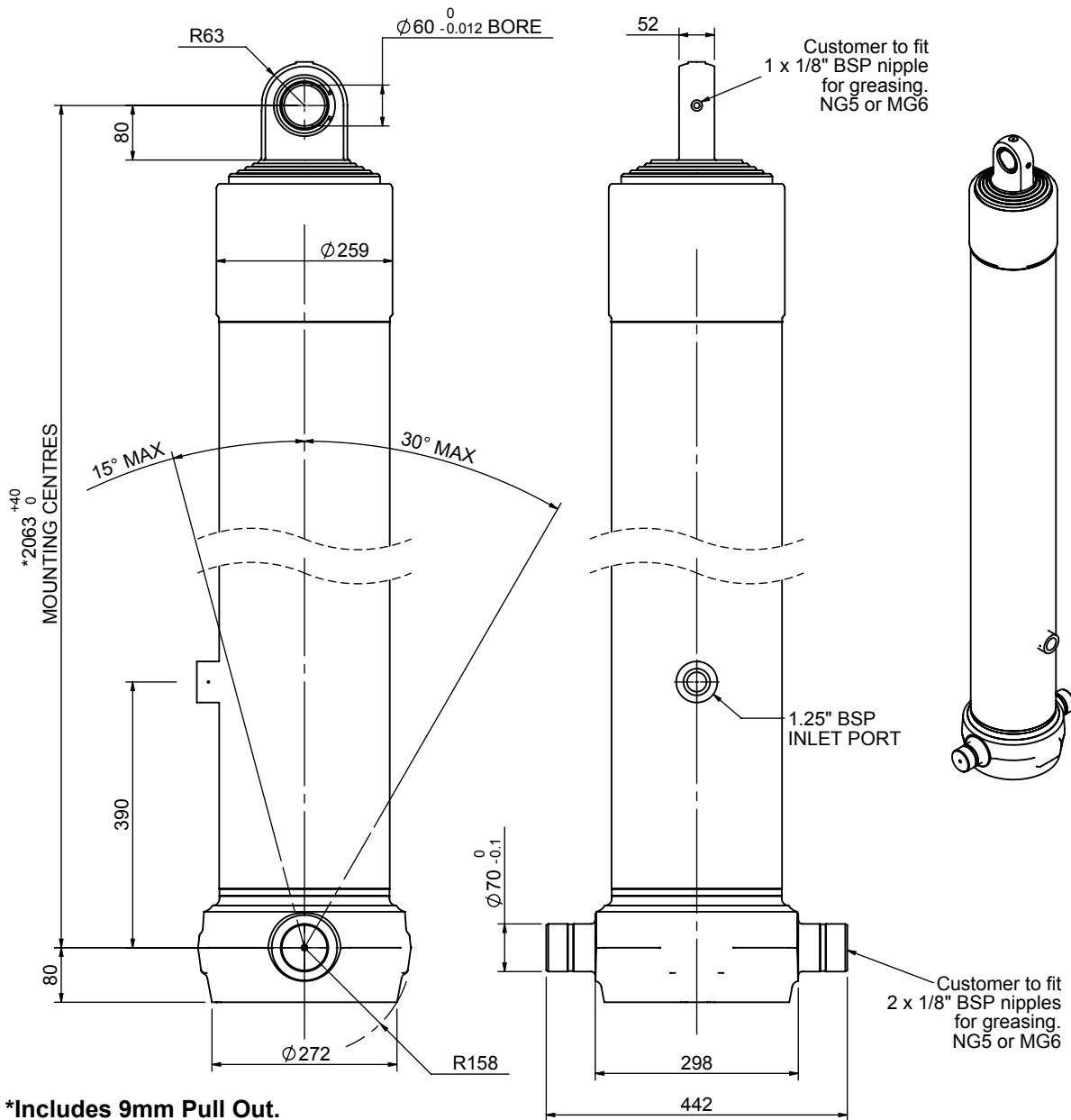


# Cylinder 5 stage front end with spherical bearing

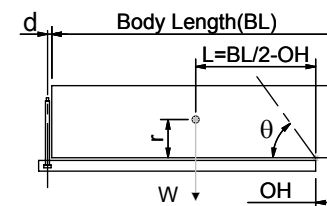
## CS220S58780B39CAE



\*Includes 9mm Pull Out.  
Last Stage Chrome Plated

SPECIFICATION		TIPPING CAPACITY : 37-42 TONNES***		
Stage	Diameter	Length	Stroke	Swept Volume
-	-	-	-	-
0	250	2028	-	-
1	222	1990	1751	68
2	198	1990	1768	54
3	176	1990	1777	43
4	155	1990	1787	34
5	136	1990	1697	25
Total (+5/-10)			8780	224
Final stroke reduced by	100	Priming Volume		22
Cylinder Mass (Kg)	481	Total Volume (Litres)		246
Maximum Pressure (Bar)	190	Max. first stage thrust		400 KN

### \*\*\*TIPPING CAPACITY AT WORKING PRESSURE



BODY LENGTH (BL)						OH
12500	12700	12900				
38	42°	37	42°	37	41°	200
39	44°	39	43°	39	42°	500
42	45°	41	44°	40	43°	800

d = 0; r = 1200; Working Pressure 95 bar

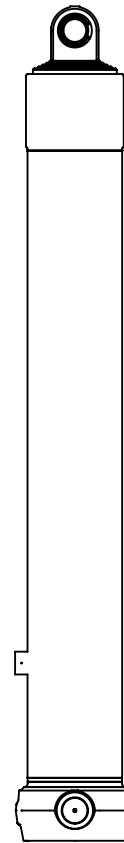
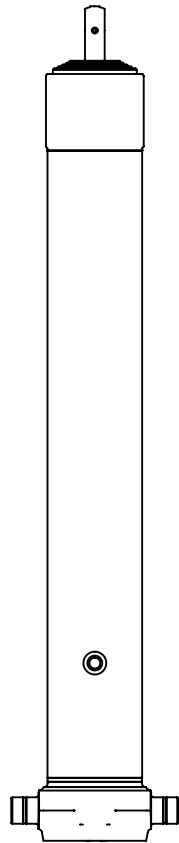
### For guidance only;

Higher working pressures and tipping capacities may be possible.

To check your application email - [applications@edbro.co.uk](mailto:applications@edbro.co.uk)

### NOTES

1. This cylinder is for lifting purposes only and side load conditions should be avoided
2. Cylinder is painted in primer paint to RAL5013
3. Refer to [www.edbro.com](http://www.edbro.com) for:-
  - Bracket details
  - Installation instructions that must be observed
  - Correct oil selection
  - An explanation of tipping capacity



CS220S58780B39CAE