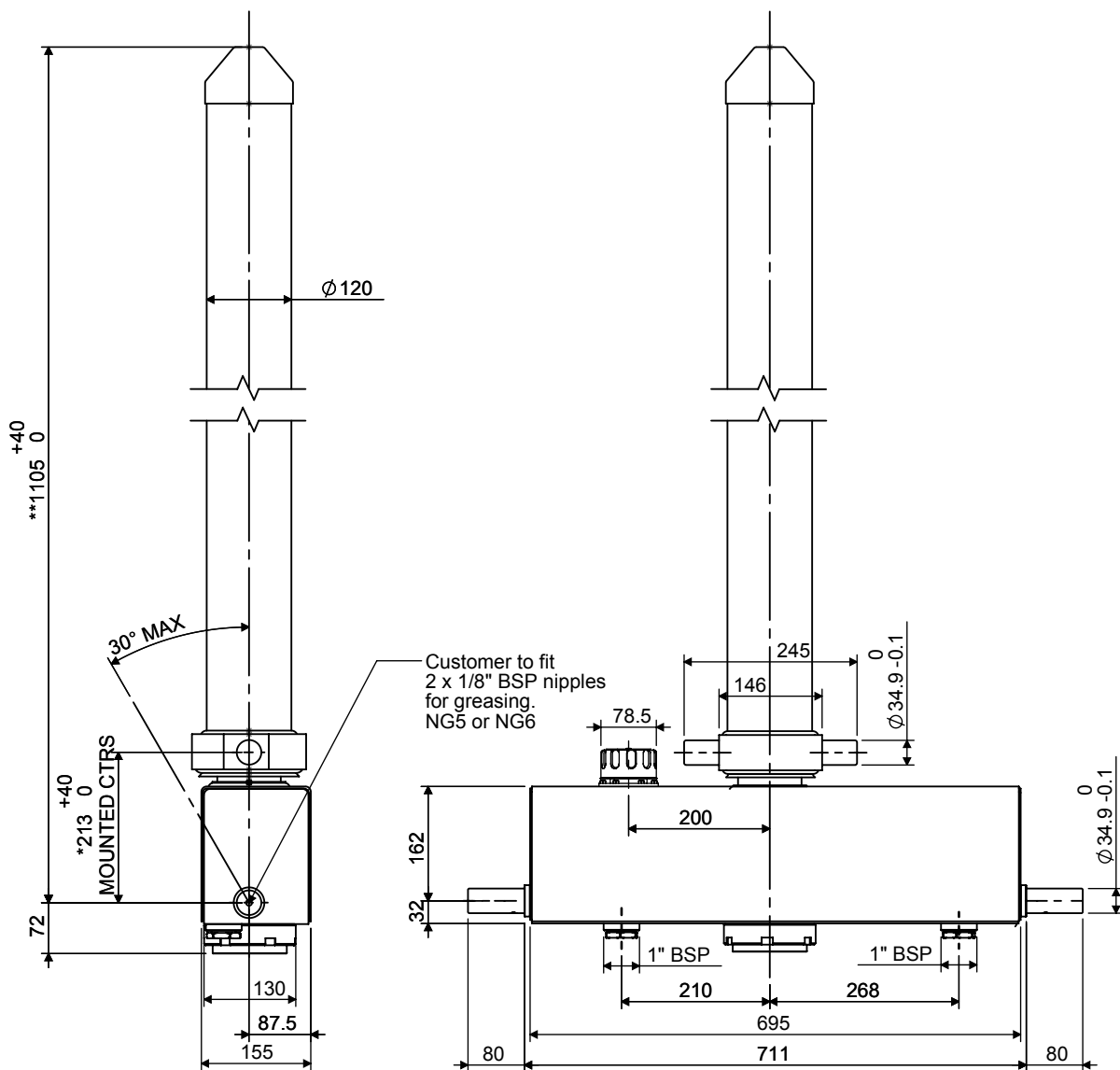


# Cylinder 3 stage front end with integral oil tank

**\*\*ALLOW 50mm TO REMOVE CAP FOR SERVICING**

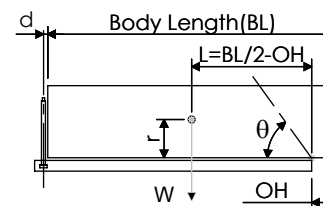


**\*Includes 10mm Pull Out.**

## CX0700302355C101

SPECIFICATION		TIPPING CAPACITY : 7-11 TONNES***		
Stage	Diameter	Length	Stroke	Swept Volume
-	-	-	-	-
-	-	-	-	-
OUTER COVER	120	879	-	-
0	90	1008	-	-
1	75	957	782	3
2	60	958	783	2
3	45	980	790	1
		Total (+5/-10)	2355	6
Final stroke reduced by	0	Priming Volume		1
Cylinder Mass (Kg)	72	Total Volume (Litres)		7
Maximum Pressure (Bar)	175	Max. first stage thrust		40 KN

### \*\*\*TIPPING CAPACITY AT WORKING PRESSURE



BODY LENGTH (BL)						OH
3250	3450	3650				
7	43°	7	40°			150
10	48°	9	44°	8	42°	450
				11	46°	750

$d = 111; r = 500; \text{Working Pressure } 150 \text{ bar}$

#### For guidance only;

Higher working pressures and tipping capacities may be possible.  
To check your application email - [applications@edbro.co.uk](mailto:applications@edbro.co.uk)

#### NOTES

1. This cylinder is for lifting purposes only and side load conditions should be avoided
2. Cylinder is painted in primer paint to RAL5013
3. Refer to [www.edbro.com](http://www.edbro.com) for:-
  - Bracket details
  - Installation instructions that must be observed
  - Correct oil selection
  - An explanation of tipping capacity