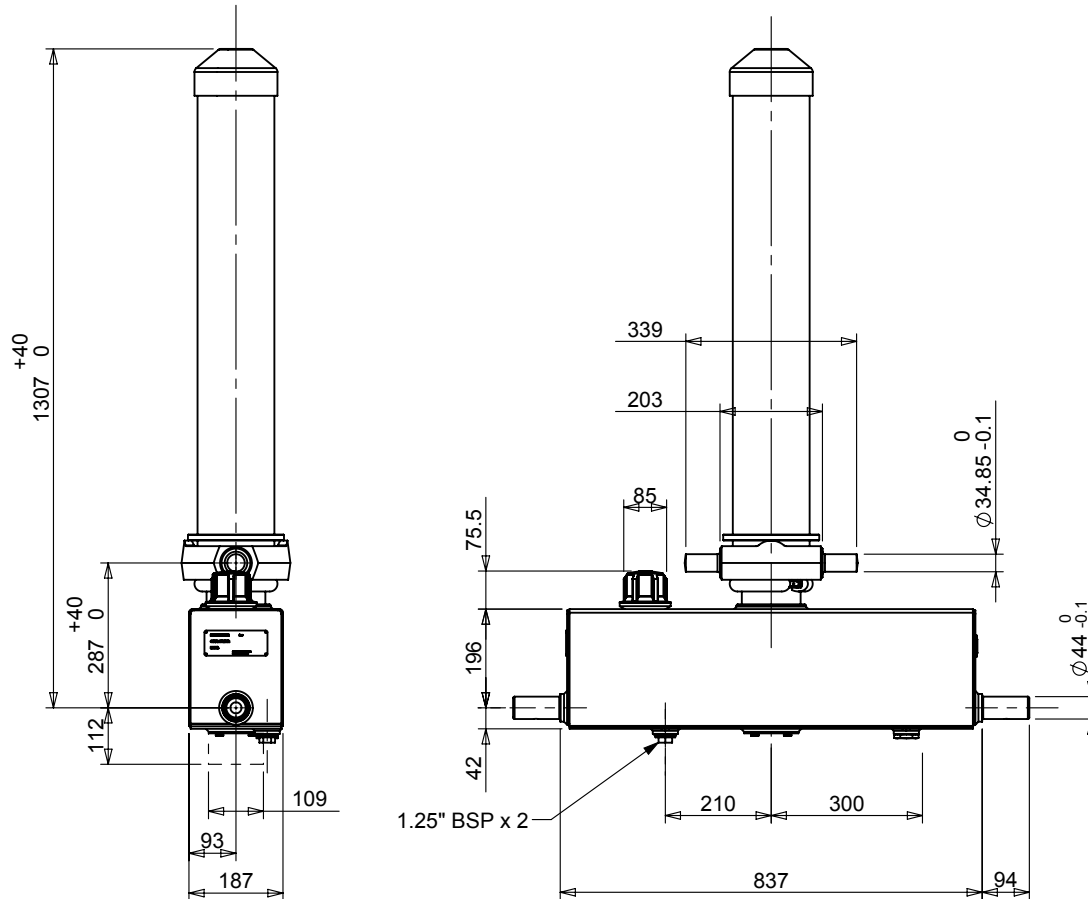


Cylinder 3 stage front end with outer cover

****ALLOW 50mm TO REMOVE CAP FOR SERVICING**

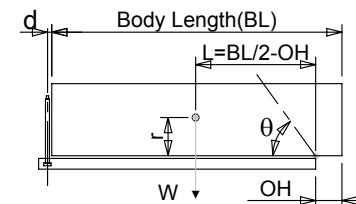


***Includes 10mm Pull Out.**

CX1000303059A101

SPECIFICATION		TIPPING CAPACITY : 13-14 TONNES***		
Stage	Diameter	Length	Stroke	Swept Volume
OUTER COVER	152	970	-	-
0	117	1170	-	-
1	98	1190	1010	8
2	79	1190	1022	5
3	63	1190	1027	3
Total (+5/-10)			3059	16
Final stroke reduced by	0	Priming Volume		3.5
Cylinder Mass (Kg)	120	Total Volume (Litres)		19.5
Maximum Pressure (Bar)	175	Oil Tank Capacity (L)		25

***TIPPING CAPACITY AT WORKING PRESSURE



BODY LENGTH (BL)				OH		
3500	3750		4000			
13	52°	13	48°	13	45°	150
		14	53°	13	49°	450
				14	54°	750

$d = 0$; $r = 900$; Working Pressure 150 bar

For guidance only;

Higher working pressures and tipping capacities may be possible.
To check your application email - applications@edbro.co.uk

NOTES

- This cylinder is for lifting purposes only and side load conditions should be avoided
- Cylinder is painted in primer paint to RAL5013
- Refer to www.edbro.com for:-
 - Bracket details
 - Installation instructions that must be observed
 - Correct oil selection
 - An explanation of tipping capacity



JOST UK Ltd
Edbro House, Nelson Street, Bolton, England, BL3 2JJ
Tel +44 (0) 1204 528888 Fax +44 (0) 1204 531957
Email: sales-uk@jostworld.com Web: www.edbro.com

Technical Specifications are subject to change without notice
Date Created/Updated: 07 October 2020
Refer www.edbro.com to confirm latest specification
All dimensions are in 'mm', unless otherwise stated