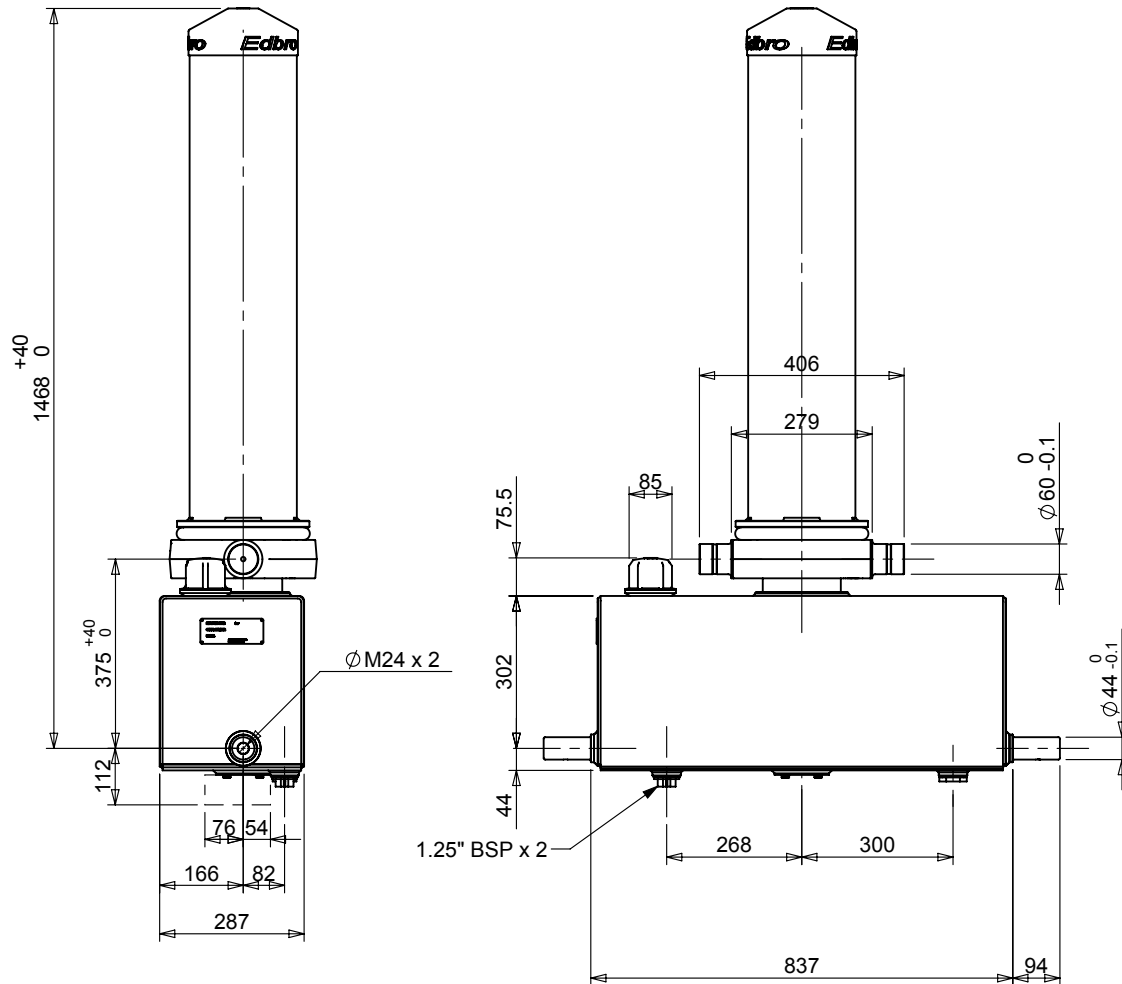


Cylinder 4 stage front end with outer cover

****ALLOW 50mm TO REMOVE CAP FOR SERVICING**

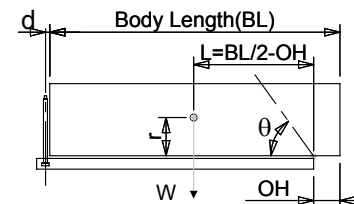


***Includes 9mm Pull Out.**

CX1300404641B102

SPECIFICATION		TIPPING CAPACITY : 19-32 TONNES***		
Stage	Diameter	Length	Stroke	Swept Volume
OUTER COVER	213	1050	-	-
0	155	1320	-	-
1	136	1340	1144	17
2	117	1340	1162	12
3	98	1340	1167	9
4	79	1340	1172	6
Total (+5/-10)			4645	44
Final stroke reduced by	0	Priming Volume		11.6
Cylinder Mass (Kg)	245	Total Volume (Litres)		55.6
Maximum Pressure (Bar)	150	Oil Tank Capacity (L)		58

***TIPPING CAPACITY AT WORKING PRESSURE



BODY LENGTH (BL)						OH
5250		6000		6750		
26	52°	22	45°	19	40°	150
32	55°	25	48°	21	42°	450
		29	50°	24	44°	750

$d = 0$; $r = 900$; Working Pressure 135 bar

For guidance only;

Higher working pressures and tipping capacities may be possible.
To check your application email - applications@edbro.co.uk

NOTES

1. This cylinder is for lifting purposes only and side load conditions should be avoided
2. Cylinder is painted in primer paint to RAL5013
3. Refer to www.edbro.com for;-
 - Bracket details
 - Installation instructions that must be observed
 - Correct oil selection
 - An explanation of tipping capacity