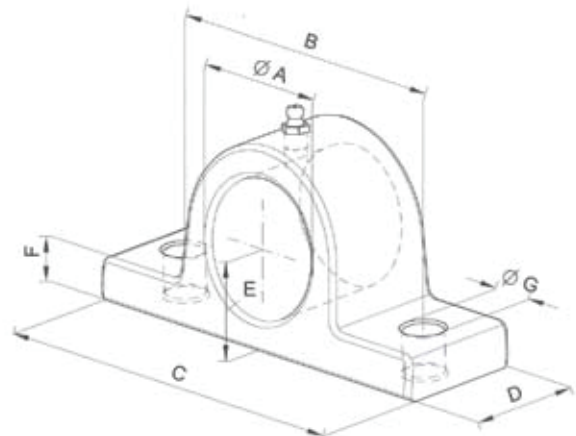
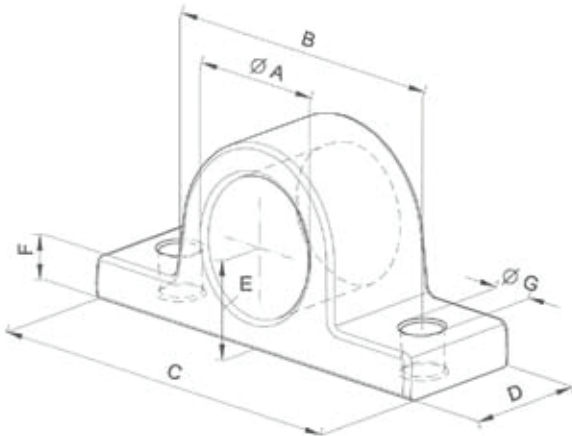


**UB Series: DNB Mounting Brackets for Cylinders**



Type	Dimensions (mm)							Weight (kg)
	ø A	B	C	D	E	F	ø G	
UBB35	35.5	95	130	45	30	12	13	1
UBB40	40.5	105	140	45	33	15	15	1.2
UBB45	45.5	105	140	45	33	15	15	1.2
UBB50	50.5	120	155	50	37	17	15	1.5
UBB55	55.5	120	155	55	37	17	15	1.5