

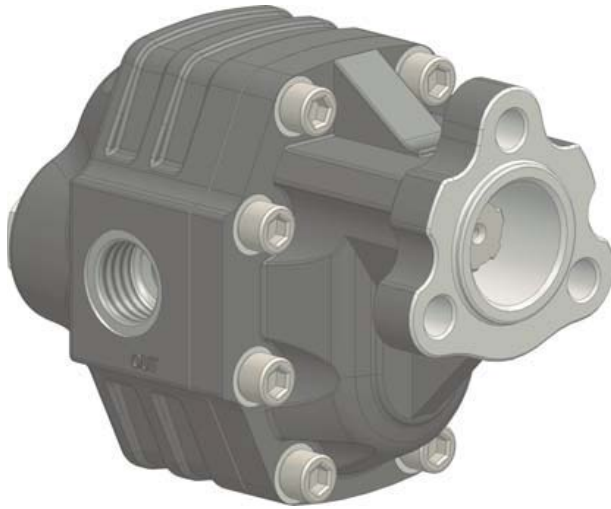


**Edbro have a wealth of experience in the field of pumps and our engineering team are on hand to help you select the right pump for your application.**

**The current product range present operators with a wide selection of choices with solutions available for most on vehicle hydraulic requirements.**

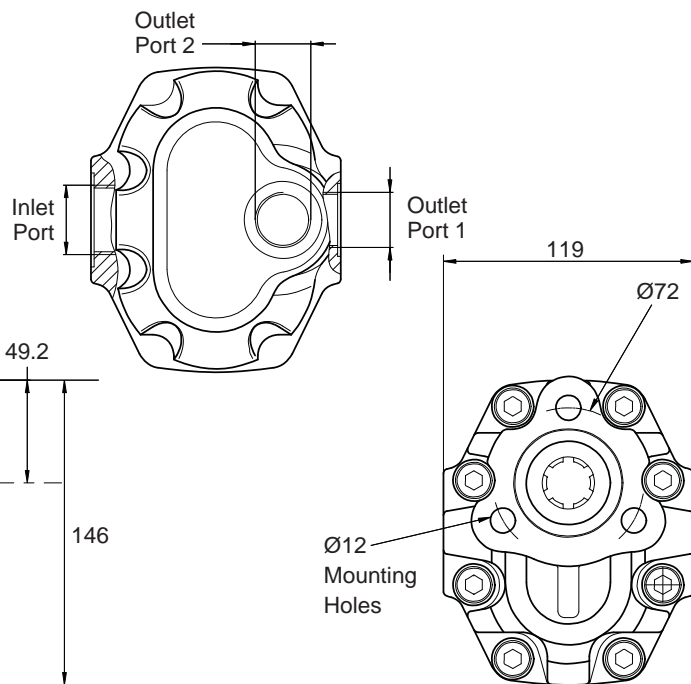
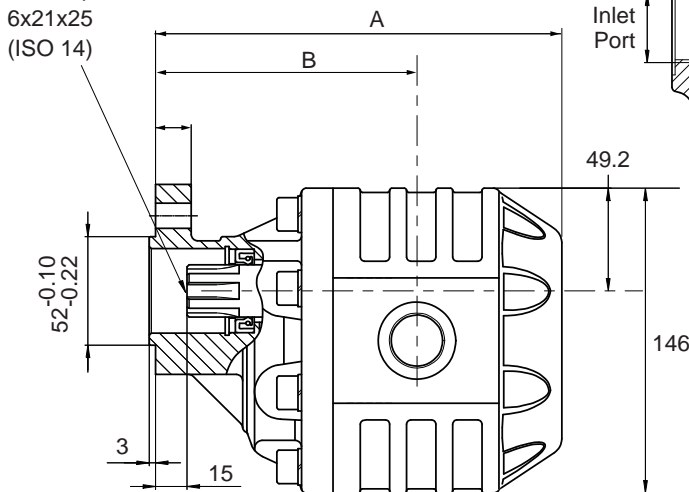
**The product range includes gear pumps and piston pumps in both low and high pressure variants, dual flow pumps and variable flow units for specialist applications.**

**Gear Pump: Tipper Applications**



- A range of flows from 17 to 125 cm<sup>3</sup>/rev
- Compact size for easy installation
- Ideal for close coupled PTO mounting
- 3 - Hole UNI Mounting flange
- Bronze thrust plates for maximum durability
- Available anti-clockwise (left) or clockwise (right) rotation
- Optional output port

Drive Spline  
6x21x25  
(ISO 14)



Part Number		IN	OUT 1	OUT 2	A	B	Weight
Rotation Left	Rotation Right						
		ISO 228	ISO 228	ISO 228	mm	mm	Kg
EGP017315 3H	EGP017315C 3H	1/2 inch BSP	1/2 inch BSP		152.5	103.5	8.5
EGP027315 3H	EGP027315C 3H				158.5	108	9.5
EGP034300 3H	EGP034300C 3H	3/4 inch BSP	3/4 inch BSP		163.5	109	10.5
EGP043290 3H	EGP043290C 3H				169.5	114	11
EGP061240 3H	EGP061240C 3H	1 inch BSP	1 inch BSP		180.5	120.5	12
EGP082210 3H	EGP082210C 3H	193.5			124.5	13	
EGP100200 3H	EGP100200C 3H	1 1/4 inch BSP	1 inch BSP	3/4 inch BSP	210.5	138.5	14
EGP125180 3H	EGP125180C 3H		226.5	142.5	16		

All dimensions are given in mm unless otherwise stated. Technical Specifications are subject to change without notice.

**Gear Pump: Tipper Applications**

TECHNICAL FEATURES						
Part Number	Displacement ³/rev cm	Pressure		Max. continuous speed rpm	Max. intermittent speed rpm	Min. speed rpm
		P1 bar	P2 bar			
EGP017315/C 3H	17	315	325	2500	3000	300
EGP027315/C 3H	26					
EGP034300/C 3H	34	300	310	2200	2800	
EGP043290/C 3H	43	290	300	2000	2500	
EGP061240/C 3H	60	240	250	1800	2000	
EGP082210/C 3H	81	210	220	1500	1800	
EGP100200/C 3H	98	200	220			
EGP125180/C 3H	123	180	200			

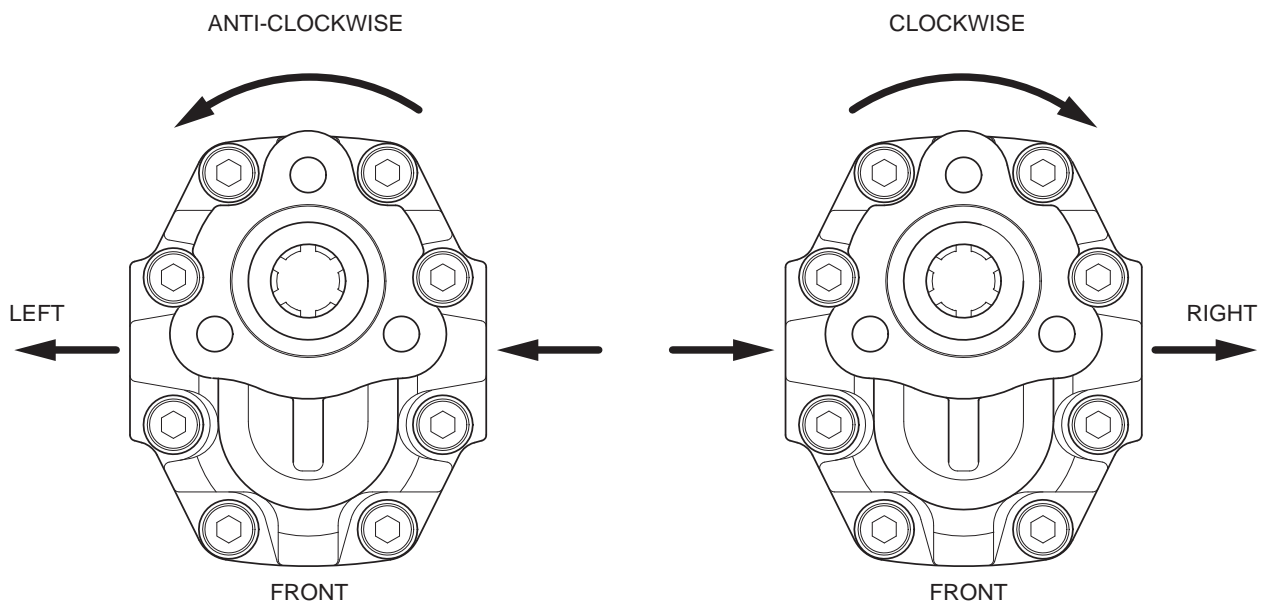
P1= Max. Intermittent pressure (20 sec. max.)

P2= Max. peak pressure (6 sec. max.)

**OIL & FILTRATION**

- The EGP range is designed primarily for use on tipper applications without filtration.
- The oil should be a good quality hydraulic oil to ISO 6743/4 HM32 for -15° to +27°C working temperature.
- For extended life or for higher duty applications, 25µm absolute return line filtration is recommended.
- Oil cleanliness to be maintained to ISO 4406 class 19/16.
- Oil should be replaced annually.

**PUMP ROTATION**



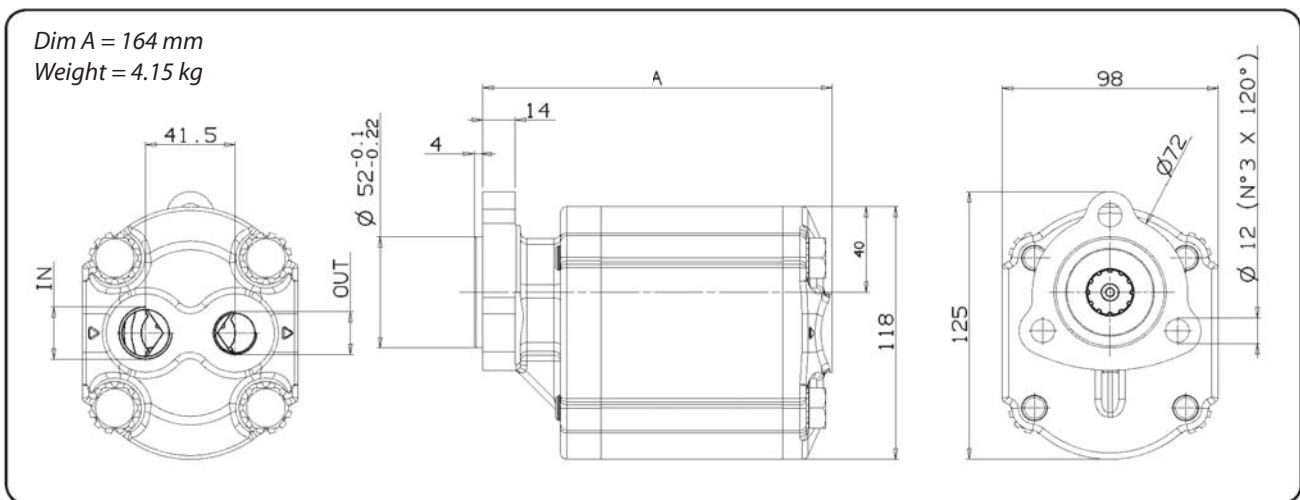
- Pumps can be supplied to suit the rotation required
- If rotation is to be reversed, refer to instructions supplied with the kit

*All dimensions are given in mm unless otherwise stated. Technical Specifications are subject to change without notice.*

**Light Duty Gear Pump: Tipper Applications - EGP025170**



- \* 3-hole gear pump for light duty applications
- \* EGP025170 - anti-clockwise (left) rotation
- \* EGP025170C - clockwise (right) rotation
- \* 25cm<sup>3</sup>/rev output flow
- \* Medium pressure (220 bar MWP)
- \* Compact size for easy installation
- \* Ideal for close coupled PTO mounting
- \* Bronze trust plates for maximum durability



**PIPE ADAPTOR KIT OPTIONS**

- Low pressure inlet: AK26 (NR110/3, DS18, LNSC - 1" elbow)  
 High pressure outlet: AK78 (NR611/44, DPP45D/SC - 1/2" to 1/2" adaptor)

**PERFORMANCE**

Displacement	cm <sup>3</sup> /rev	25
Max. working pressure	bar	220
Peak pressure	bar	240
Max. working speed	rpm	1500 @ 200 bar 3200 @ 220 bar 3500 @ no pressure

**PIPES**

- Size: Suction 3/4 inch maximum  
 Pressure 1/2 inch maximum  
 Pipe runs should be direct and short, with no kinks.

**OIL & FILTRATION**

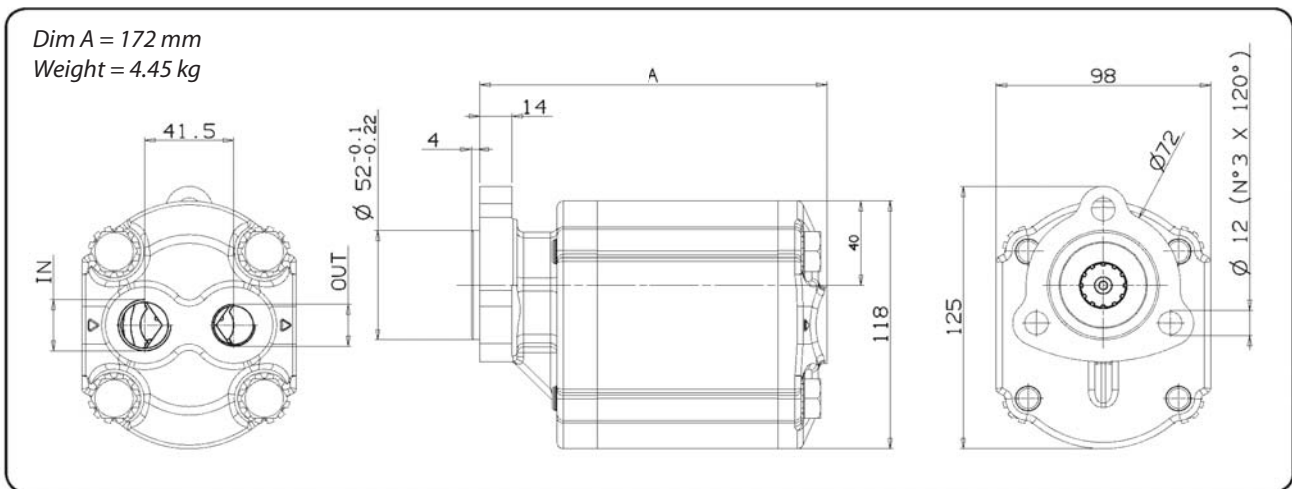
- \* This pump is designed for low pressure, intermittent use tipping systems without filtration.
- \* The oil should be a good quality hydraulic oil to ISO 6743/4 HM32 for -15° to +27°C working temperature.
- \* For extended life 25 um absolute return line filtration is recommended.
- \* Oil cleanliness is maintained to ISO 4406 class 19/16.
- \* Oil should be replaced annually.

*All dimensions are given in mm unless otherwise stated. Technical Specifications are subject to change without notice.*

**Light Duty Gear Pump: Tipper Applications - EGP032180**



- \* 3-hole gear pump for light duty applications
- \* EGP0321803H - anti-clockwise (left) rotation
- \* EGP032180C3H - clockwise (right) rotation
- \* 32cm<sup>3</sup>/rev output flow
- \* Medium pressure (200 bar MWP)
- \* Compact size for easy installation
- \* Ideal for close coupled PTO mounting
- \* Bronze trust plates for maximum durability



**PIPE ADAPTOR KIT OPTIONS**

- Low pressure inlet: AK26 (NR110/3, DS18, LNSC - 1" elbow)  
High pressure outlet: AK78 (NR611/44, DPP45D/SC - 1/2" to 1/2" adaptor)

**PERFORMANCE**

Displacement	cm <sup>3</sup> /rev	32
Max. working pressure	bar	200
Peak pressure	bar	220
Max. working speed	rpm	1500 @ 180 bar 2800 @ 200 bar 3500 @ no pressure

**PIPES**

- Size: Suction 3/4 inch maximum  
Pressure 1/2 inch maximum  
Pipe runs should be direct and short, with no kinks.

**OIL & FILTRATION**

- \* This pump is designed for low pressure, intermittent use tipping systems without filtration.
- \* The oil should be a good quality hydraulic oil to ISO 6743/4 HM32 for -15° to +27°C working temperature.
- \* For extended life 25 um absolute return line filtration is recommended.
- \* Oil cleanliness is maintained to ISO 4406 class 19/16.
- \* Oil should be replaced annually.

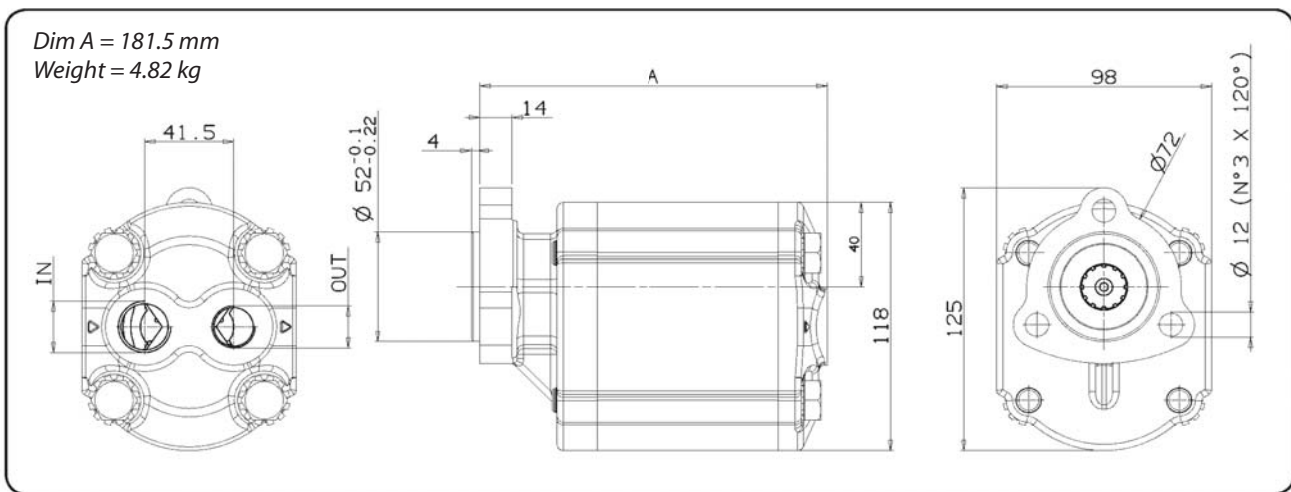
*All dimensions are given in mm unless otherwise stated. Technical Specifications are subject to change without notice.*



**Light Duty Gear Pump: Tipper Applications - EGP040150**



- \* 3-hole gear pump for light duty applications
- \* EGP0401503H - anti-clockwise (left) rotation
- \* EGP040150C3H - clockwise (right) rotation
- \* 40cm<sup>3</sup>/rev output flow
- \* Medium pressure (170 bar MWP)
- \* Compact size for easy installation
- \* Ideal for close coupled PTO mounting
- \* Bronze trust plates for maximum durability



**PIPE ADAPTOR KIT OPTIONS**

- Low pressure inlet: AK26 (NR110/3, DS18, LNSC - 1" elbow)  
High pressure outlet: AK78 (NR611/44, DPP45D/SC - 1/2" to 1/2" adaptor)

**PERFORMANCE**

Displacement	cm <sup>3</sup> /rev	40
Max. working pressure	bar	170
Peak pressure	bar	190
Max. working speed	rpm	1500 @ 150 bar 2400 @ 170 bar 3500 @ no pressure

**PIPES**

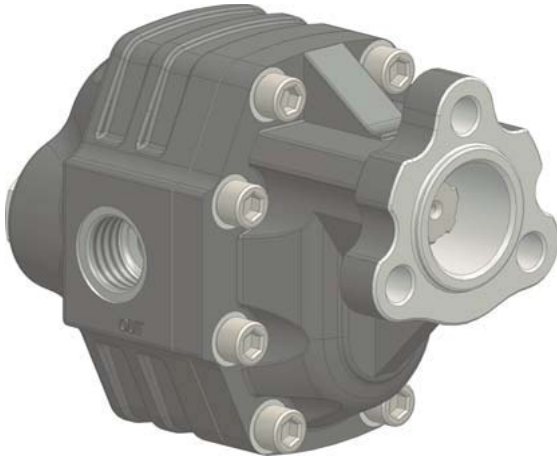
- Size: Suction 3/4 inch maximum  
Pressure 1/2 inch maximum  
Pipe runs should be direct and short, with no kinks.

**OIL & FILTRATION**

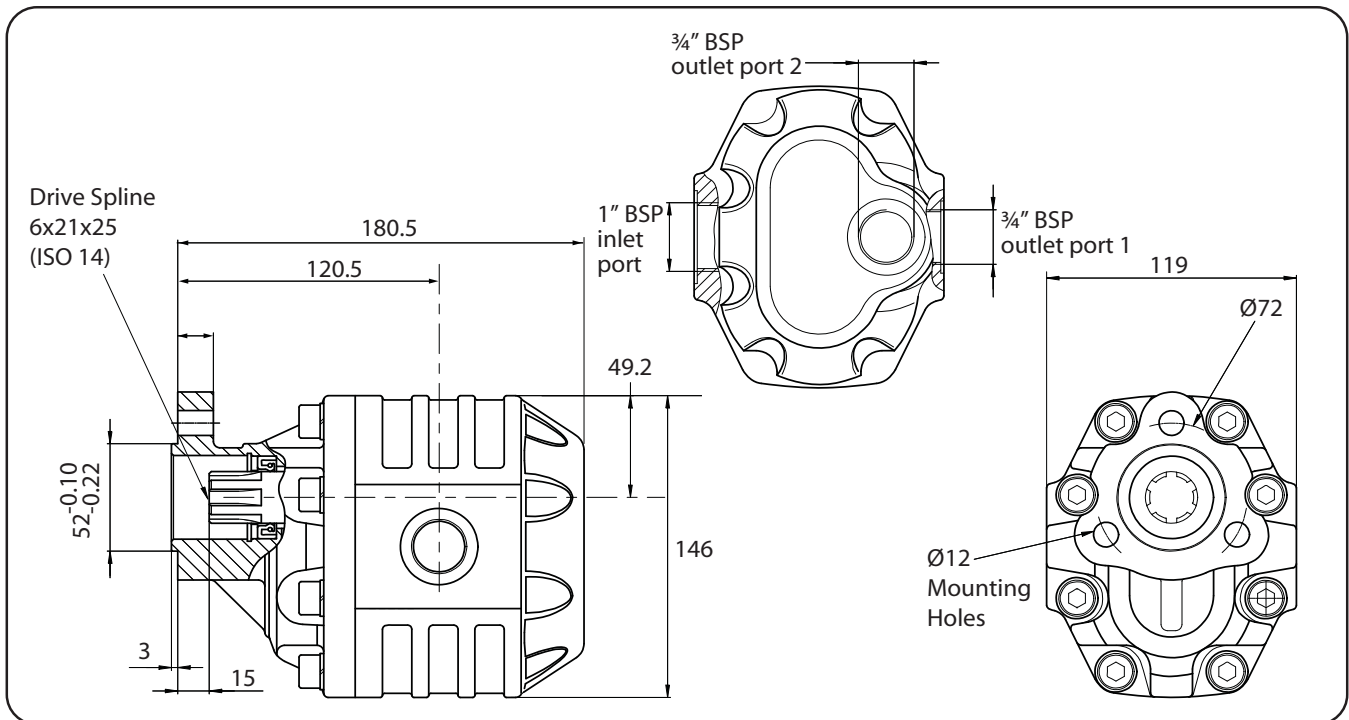
- \* This pump is designed for low pressure, intermittent use tipping systems without filtration.
- \* The oil should be a good quality hydraulic oil to ISO 6743/4 HM32 for -15<sup>o</sup> to +27<sup>o</sup>C working temperature.
- \* For extended life 25 um absolute return line filtration is recommended.
- \* Oil cleanliness is maintained to ISO 4406 class 19/16.
- \* Oil should be replaced annually.

*All dimensions are given in mm unless otherwise stated. Technical Specifications are subject to change without notice.*

**3 Hole Gear Pump: Tipper Applications - EGP0612403H**



- \* 60 cm<sup>3</sup>/rev output flow
- \* Medium pressure (240 bar MWP)
- \* Compact size for easy installation
- \* Ideal for close coupled PTO mounting
- \* 3 hole UNI mounting flange
- \* Bronze trust plates for maximum durability
- \* Available anti-clockwise (left) rotation as EGP0612403H or clockwise (right) rotation as EGP061240C3H
- \* Optional output port



NB. This pump is supplied as complete kit PKS9620/04.

**PKS9620/04 pump kit includes:**

EGP0612403H	Gear pump
NR1664	Low pressure adaptor (1" BSP push-on 90° elbow)
NR611/42	High pressure adaptor (3/4" BSP)
NR627	High pressure elbow (3/4" BSP 90°)
DPP45F/SC	Washer (3/4" BSP)

\* Other adaptor options are available. Please contact Edbro for more information.

All dimensions are given in mm unless otherwise stated. Technical Specifications are subject to change without notice.

**3 Hole Gear Pump: Tipper Applications - EGP0612403H**

**PERFORMANCE**

Displacement            60 cm<sup>3</sup>/rev  
 Max. working pressure 240 bar  
 Peak pressure            250 bar  
 Max working speed    1800 rpm @ 220 bar

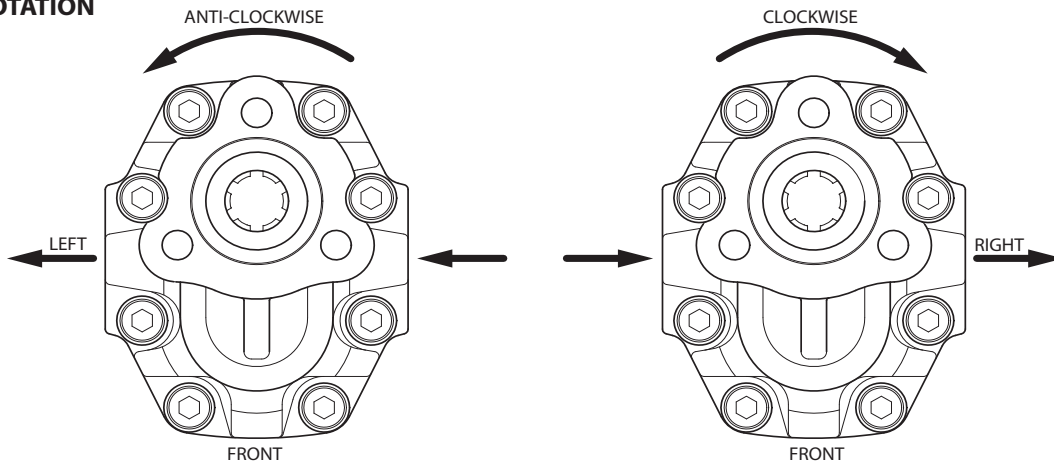
**PIPES**

Size:    Suction 1¼" minimum  
          Pressure ¾" minimum  
 Pipe runs should be direct and short, with no kinks

**OIL & FILTRATION**

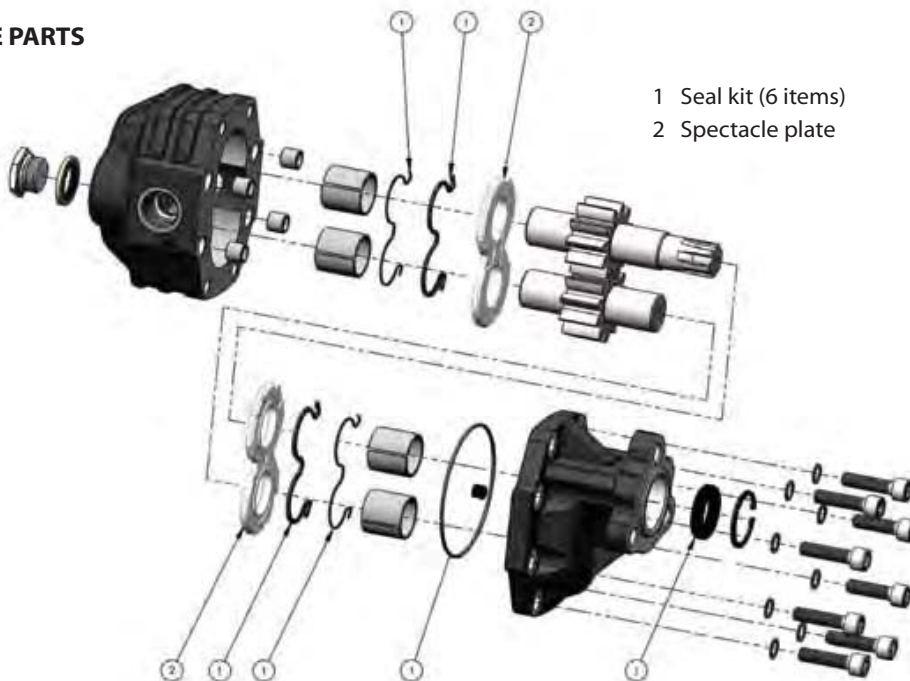
- \* This pump is designed for low pressure, intermittent use tipping systems without filtration.
- \* The oil should be a good quality hydraulic oil to ISO 6743/4 HM32 for -15 to +27 C working temperature.
- \* For extended life 25 µm absolute return line filtration is recommended.
- \* Oil cleanliness is maintained to ISO 4406 class 19/16.
- \* Oil should be replaced annually.

**PUMP ROTATION**



- \* Pumps can be supplied to suit the rotation required
- \* If rotation is to be reversed, refer to instructions supplied with the kit

**SPARE PARTS**

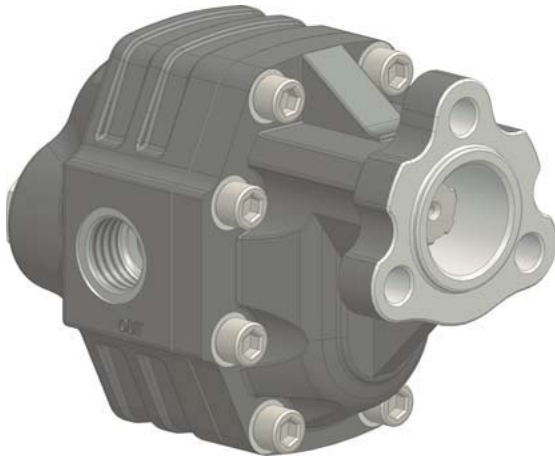


1 Seal kit (6 items)	10590000188	(1 per pump)
2 Spectacle plate	51001000106	(2 per pump)

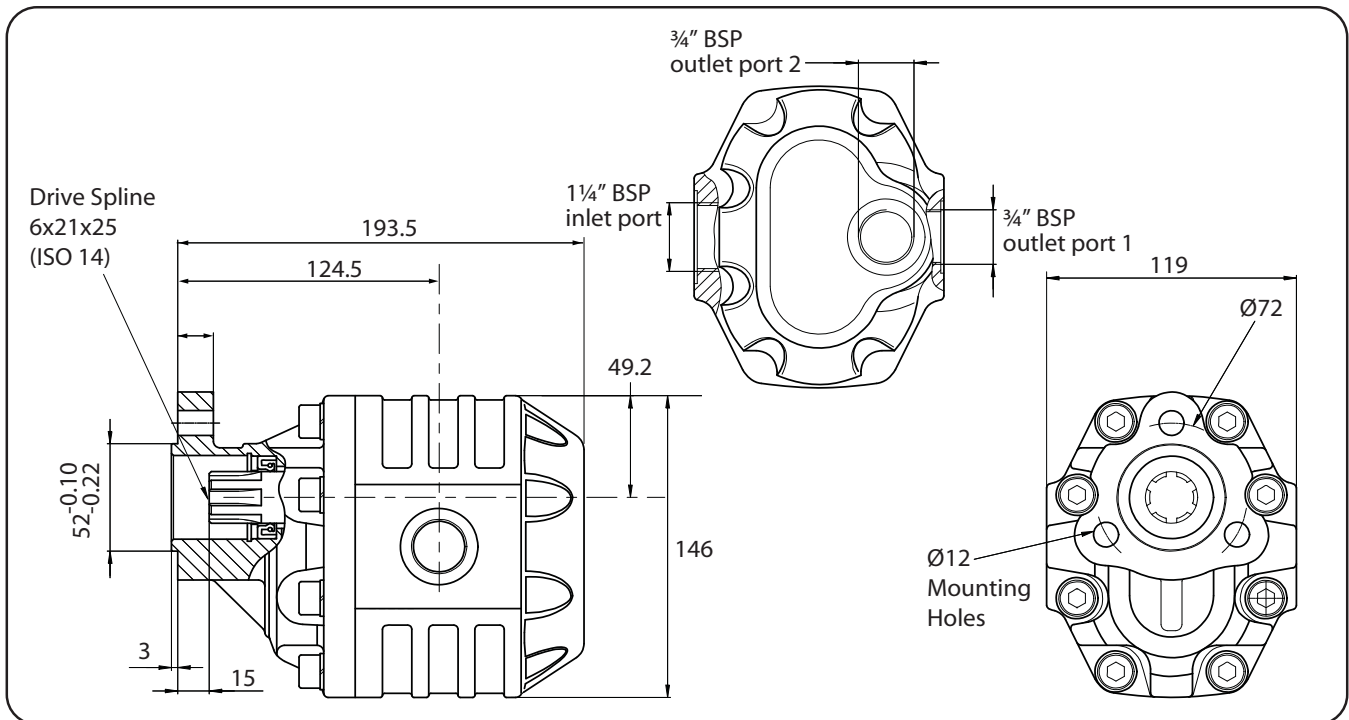
All dimensions are given in mm unless otherwise stated. Technical Specifications are subject to change without notice.



**3 Hole Gear Pump: Tipper Applications - EGP0822103H**



- \* 81 cm<sup>3</sup>/rev output flow
- \* Medium pressure (240 bar MWP)
- \* Compact size for easy installation
- \* Ideal for close coupled PTO mounting
- \* 3 hole UNI mounting flange
- \* Bronze trust plates for maximum durability
- \* Available anti-clockwise (left) rotation as EGP0822103H or clockwise (right) rotation as EGP082210C3H
- \* Optional output port



NB. This pump is supplied as complete kit PKS9609/03.

**PKS9609/03 pump kit includes:**

EGP0822103H	Gear pump
NR1639	Low pressure adaptor (1½" BSP push-on 90° elbow)
NR611/42	High pressure adaptor (¾" BSP)
NR627	High pressure elbow (¾" BSP 90°)
DPP45F/SC	Washer (¾" BSP)

\* Other adaptor options are available. Please contact Edbro for more information.

All dimensions are given in mm unless otherwise stated. Technical Specifications are subject to change without notice.

**3 Hole Gear Pump: Tipper Applications - EGP0822103H**

**PERFORMANCE**

Displacement 81 cm<sup>3</sup>/rev  
 Max. working pressure 210 bar  
 Peak pressure 220 bar  
 Max working speed 1800 rpm @ 220 bar

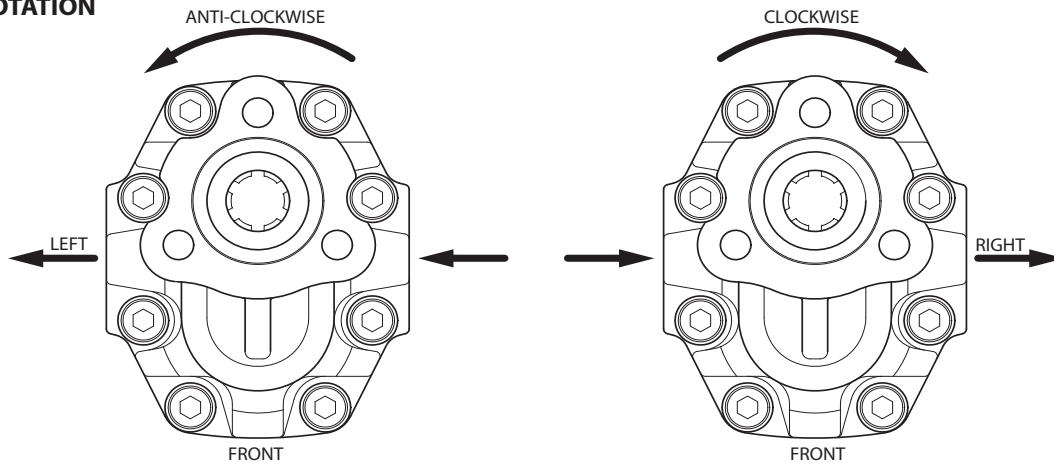
**PIPES**

Size: Suction 1½" minimum  
 Pressure ¾" minimum  
 Pipe runs should be direct and short, with no kinks

**OIL & FILTRATION**

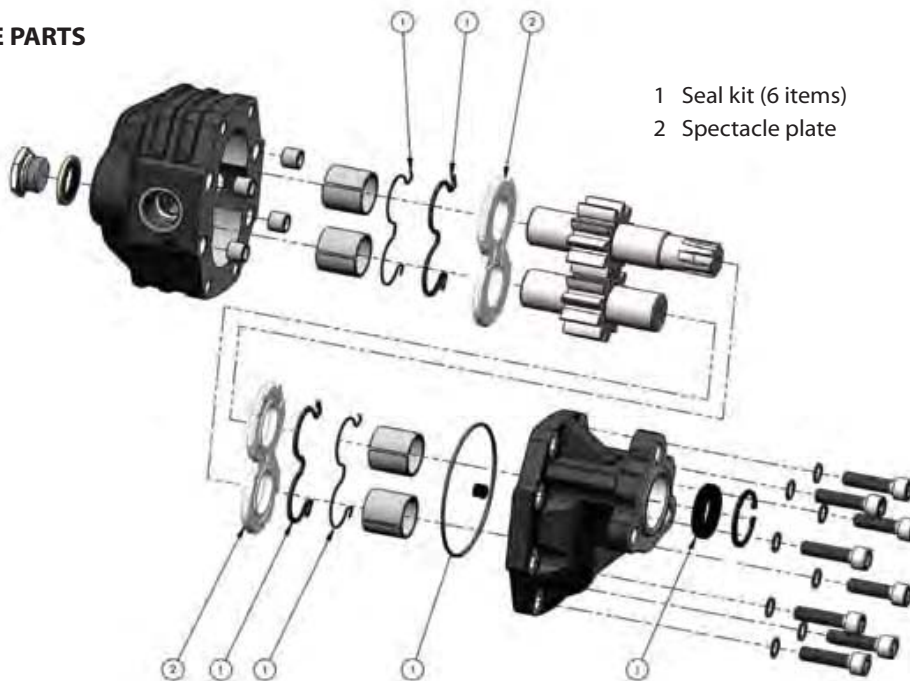
- \* This pump is designed for low pressure, intermittent use tipping systems without filtration.
- \* The oil should be a good quality hydraulic oil to ISO 6743/4 HM32 for -15 to +27 C working temperature.
- \* For extended life 25 µm absolute return line filtration is recommended.
- \* Oil cleanliness is maintained to ISO 4406 class 19/16.
- \* Oil should be replaced annually.

**PUMP ROTATION**



- \* Pumps can be supplied to suit the rotation required
- \* If rotation is to be reversed, refer to instructions supplied with the kit

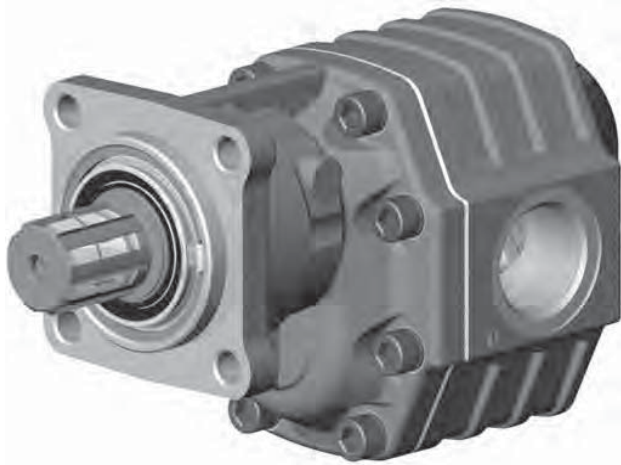
**SPARE PARTS**



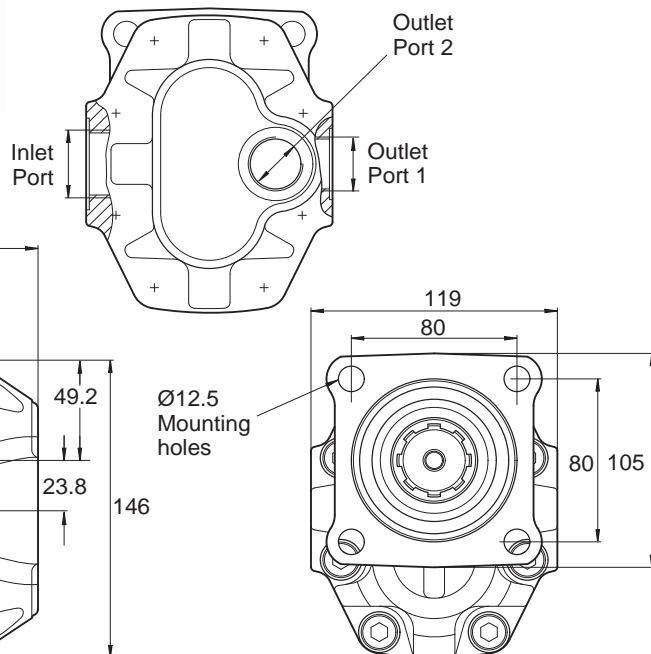
1 Seal kit (6 items)	10590000188	(1 per pump)
2 Spectacle plate	51001000106	(2 per pump)

All dimensions are given in mm unless otherwise stated. Technical Specifications are subject to change without notice.

**Gear Pumps: Tipper Application**



- A range of flows from 17 to 125 cm<sup>3</sup>/rev
- Compact size for easy installation
- Ideal for close coupled PTO mounting
- 4 - Hole ISO7653 Mounting flange
- Bronze thrust plates for maximum durability
- Available anti-clockwise (left) or clockwise (right) rotation
- Optional output port



Part Number		IN	OUT 1	OUT 2	A	B	Weight	
Rotation Left	Rotation Right							
EGP017315	EGP017315C	1/2 inch BSP	1/2 inch BSP	ISO 228	168.5	119.5	11	
EGP027315	EGP027315C	3/4 inch BSP			174.5	124	12	
EGP034300	EGP034300C		1 inch BSP	3/4 inch BSP	ISO 228	179.5	125	13
EGP043250	EGP043250C	185.5				130	13.5	
EGP061240	EGP061240C	196.5				136.5	14.5	
EGP082220	EGP082220C	1 1/4 inch BSP	1 inch BSP	ISO 228	209.5	140.5	15.5	
EGP100220	EGP100220C				3/4 inch BSP	226.5	154.5	15
EGP125150	EGP125150C					242.5	158.5	17

All dimensions are given in mm unless otherwise stated. Technical Specifications are subject to change without notice.

**Gear Pumps: Tipper Application**

TECHNICAL FEATURES						
Part Number	Displacement cm <sup>3</sup> /rev	Pressure		Max. continuous speed rpm	Max. intermittent speed rpm	Min. speed rpm
		P1 bar	P2 bar			
EGP017315/C	17	315	325	2500	3000	300
EGP027315/C	26					
EGP034300/C	34	300	310	2200	2800	
EGP043250/C	43	290	300	2000	2500	
EGP061240/C	60	240	250	1800	2000	
EGP082220/C	81	220	250	1500	1800	
EGP100220/C	98	220				
EGP125150/C	123	180	200			

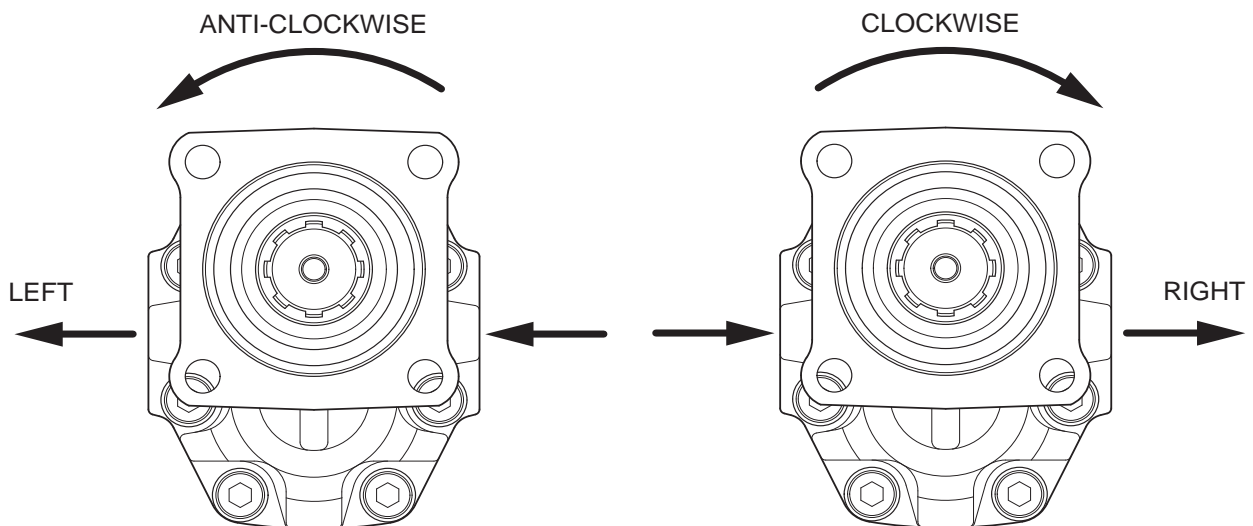
P1= Max. Intermittent pressure (20 sec. max.)

P2= Max. peak pressure (6 sec. max.)

**OIL & FILTRATION**

- The EGP range is designed primarily for use on tipper applications without filtration.
- The oil should be a good quality hydraulic oil to ISO 6743/4 HM32 for -15° to +27°C working temperature.
- For extended life or for higher duty applications, 25µm absolute return line filtration is recommended.
- Oil cleanliness to be maintained to ISO 4406 class 19/16.
- Oil should be replaced annually.

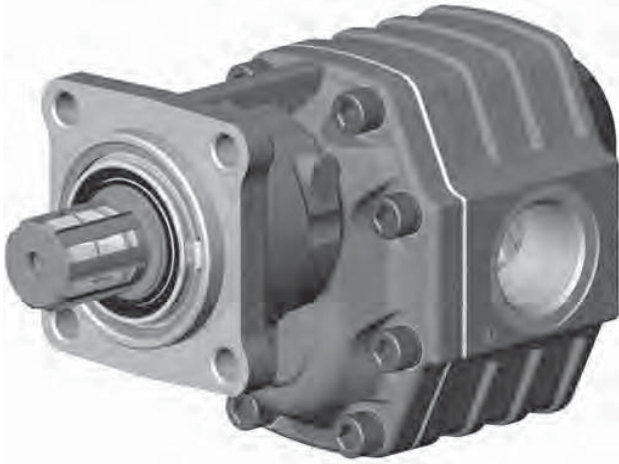
**PUMP ROTATION**



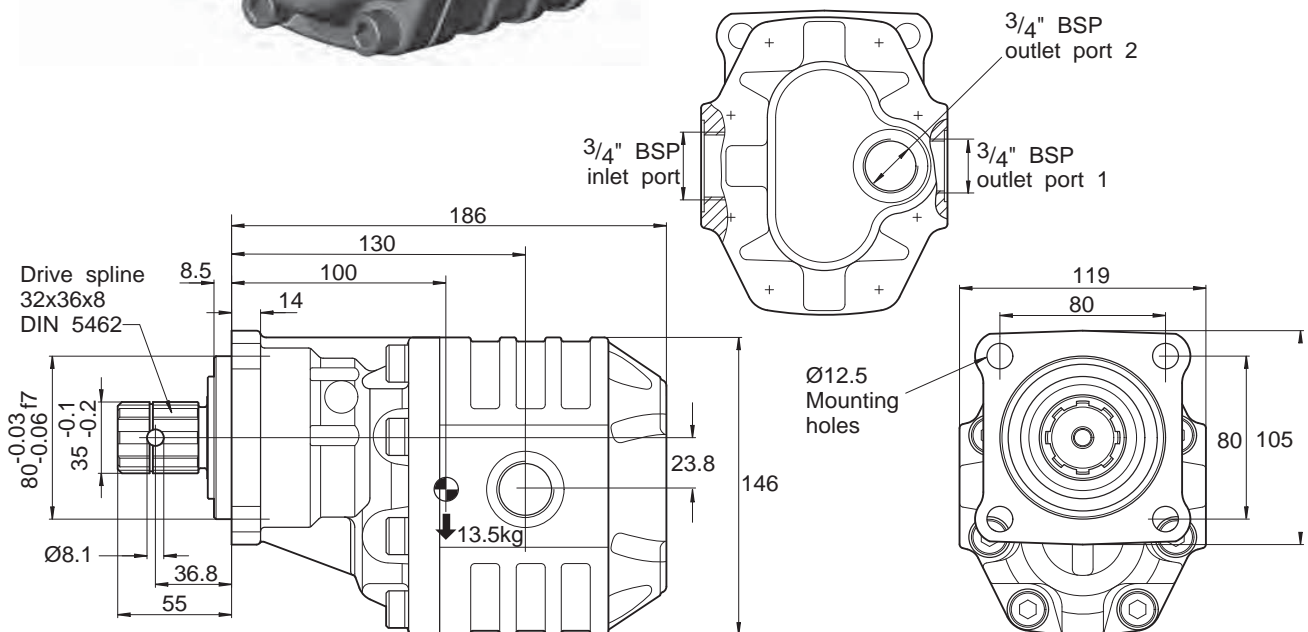
- Pumps can be supplied to suit the rotation required
- If rotation is to be reversed, refer to instructions supplied with the kit

*All dimensions are given in mm unless otherwise stated. Technical Specifications are subject to change without notice.*

**Gear Pump : For tipper application - EGP043250**



- 43 cm<sup>3</sup>/rev output flow
- Medium pressure (250 bar mwp)
- Compact size for easy installation
- Ideal for close coupled PTO mounting
- 4 - Hole ISO7653 Mounting flange
- Bronze thrust plates for maximum durability
- Available anti-clockwise (left) or clockwise (right) rotation
- Optional output port



Part Number	Description
EGP043250	Anti - clockwise (left) rotation
EGP043250C	Clockwise (right) rotation

**PIPE ADAPTOR KIT OPTIONS**

Low Pressure Inlet		High Pressure Outlet
1 1/2 inch push-on 90° elbow	(NR1644)	3/4 inch BSP 90° elbow (NR611/42, DPP45F, NR627)
1 1/2 inch push-on 90° elbow	(NR1644)	3/4 inch BSP straight (NR611/42, DPP45F)
1 inch BSP straight	(NR611/13)	1/2 inch BSP elbow (NR611/17, DPP45F, NR627)
1 inch BSP straight	(NR611/13)	1/2 inch BSP straight (NR611/17, DPP45F)

All dimensions are given in mm unless otherwise stated. Technical Specifications are subject to change without notice.



**Gear Pump : For tipper application - EGP043250**

**PERFORMANCE**

Displacement	cm <sup>3</sup> /rev	43
Max. Working Pressure	bar	250
Peak Pressure	bar	300
Max. Working Speed	rpm	2500@ 250bar 3000@ 150bar 3500 @ no pressure

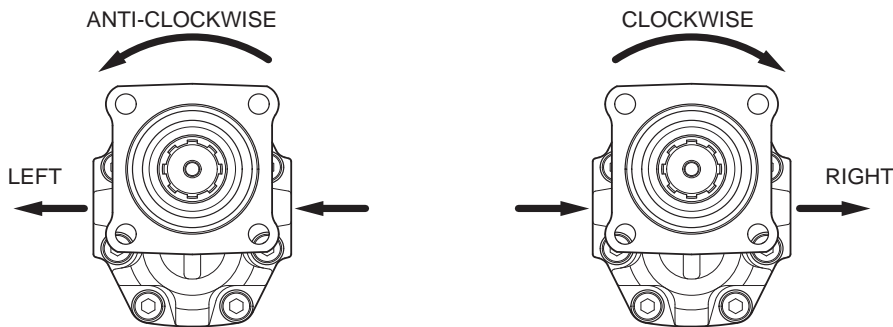
**PIPES**

- Size: Suction 1 inch minimum  
Pressure 1 1/2 inch minimum
- Pipe runs should be direct and short, with no kinks.

**OIL & FILTRATION**

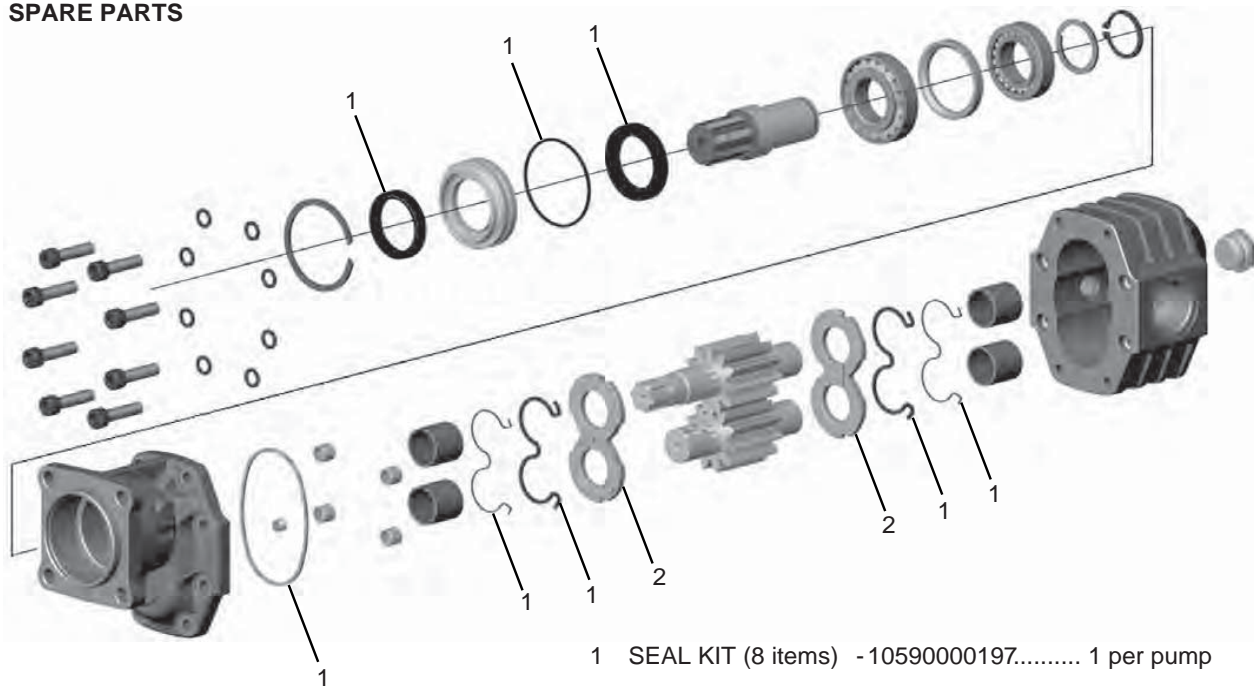
- This pump is designed for low pressure, intermittent use, tipper systems without filtration.
- The oil should be a good quality hydraulic oil to ISO 6743/4 HM32 for -15° to +27°C working temperature.
- For extended life or for higher duty applications, 25µm absolute return line filtration is recommended.
- Oil cleanliness to be maintained to ISO 4406 class 19/16.
- Oil should be replaced annually.

**PUMP ROTATION**



- Pumps can be supplied to suit the rotation required
- If rotation is to be reversed, refer to instructions supplied with the kit

**SPARE PARTS**



- 1 SEAL KIT (8 items) -10590000197..... 1 per pump
- 2 SPECTACLE PLATE -51001000106..... 2 per pump

*All dimensions are given in mm unless otherwise stated. Technical Specifications are subject to change without notice.*

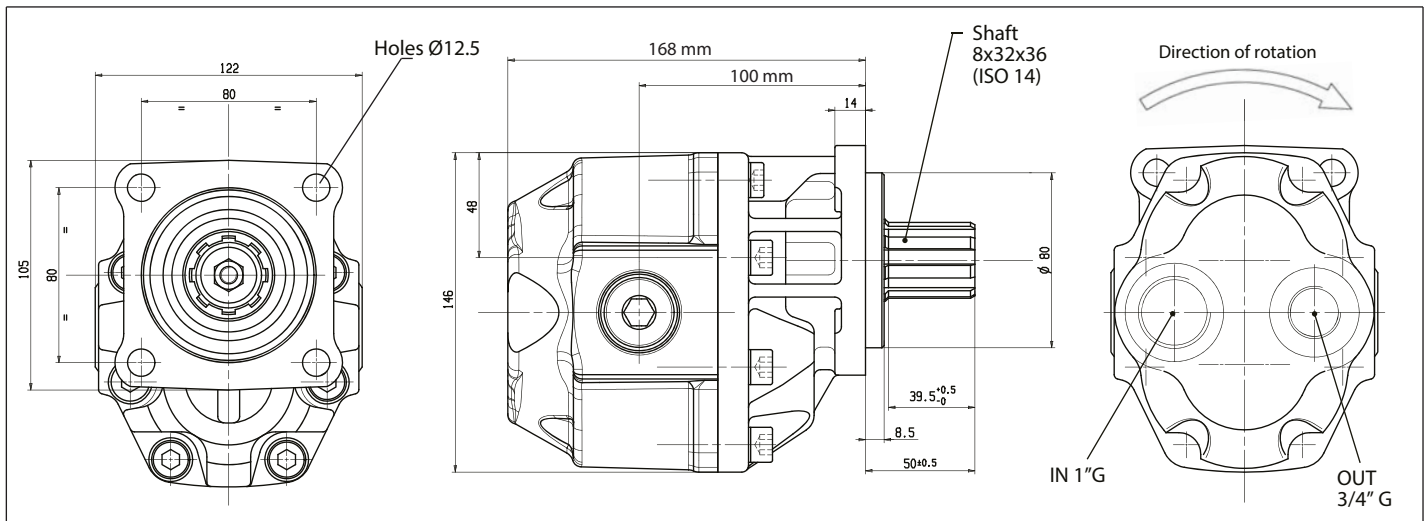
**Short Gear Pumps : Tipper Application - EGP082220A**



- 4-hole slim line gear pump
- Available as part of pump kit PKS9609/07
- 82cm<sup>3</sup>/rev output flow
- Maximum working pressure 190 bar
- Slim-line design for compact installation
- Optional inlet and outlets

**KIT CONTENTS (PKS9609/07)**

- 1 x EGP082220A short design gear pump
- 1 x NR1664                      1" - 1.5" suction fitting (elbow)
- 1 x DPP45F/SC                3/4" Dowty Seal
- 1 x NR611/42                 3/4" - 3/4" adaptor
- 1 x NR627                      3/4" - 3/4" female elbow



**PERFORMANCE**

Displacement		cm <sup>3</sup>	82
Max. working pressure	bar		190
Peak pressure	bar		220
Max continuous speed	rpm		1500 @ 190 bar
Max intermittent speed	rpm		1800 @ 220 bar

**PIPES**

Size: Suction 1.25" minimum  
Pressure 3/4" minimum  
Pipe runs should be direct and short, with no kinks

**OIL & FILTRATION**

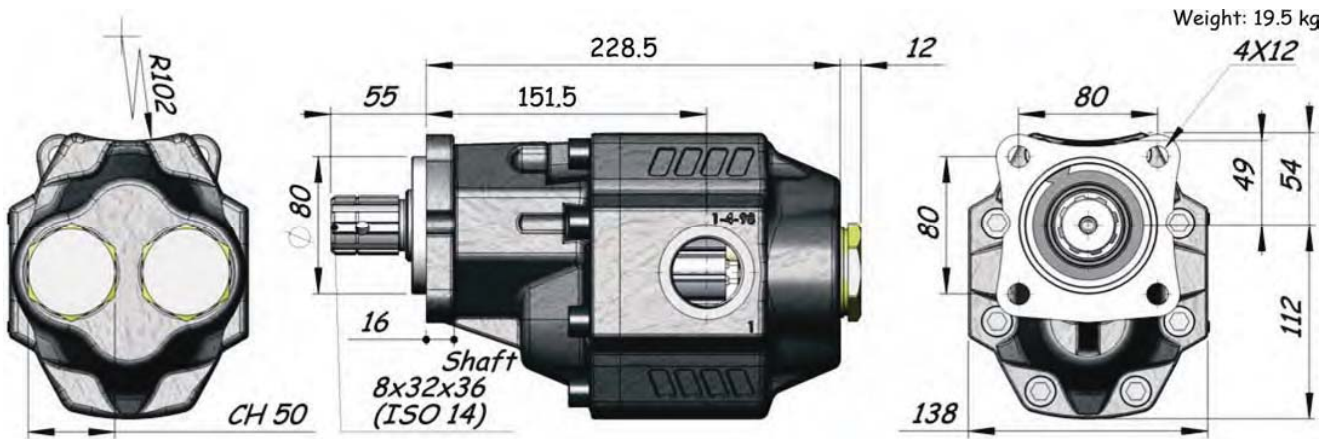
- This pump is designed for low pressure, intermittent use tipping systems without filtration
- The oil should be a good quality hydraulic oil to ISO 6743/4 HM32 for -15 to +27°C working temperature
- For extended life 25 um absolute return line filtration is recommended
- Oil cleanliness is maintained to ISO 4406 class 19/16
- Oil should be replaced annually

*All dimensions are given in mm unless otherwise stated. Technical Specifications are subject to change without notice.*

**Gear Pump for Tipper Applications - EGP090250**



- 90cm<sup>3</sup>/rev output flow
- Medium pressure (230 bar mwp)
- Compact size for easy installation
- Ideal for close coupled PTO mounting
- 4 - Hole ISO7653 mounting flange
- Bronze thrust plates for maximum durability
- Available anti-clockwise (left) or clockwise (right) rotation
- Optional output port



Part Number	Description
EGP090250	Anti-clockwise (left) rotation
EGP090250C	Clockwise (right) rotation

**PIPE ADAPTOR KIT OPTIONS**

Part Number	Low Pressure Inlet	High Pressure Outlet
AK97	1½ inch push-on 90° elbow (NR1639)	¾ inch BSP 90° elbow (NR1611/40, DPP45J/SC, NR627)
AK98	1½ inch push-on 90° elbow (NR1639)	¾ inch BSP straight (NR1611/40, DPP45J/SC)
AK99	1½ inch push-on straight (NR1674)	¾ inch BSP 90° elbow (NR1611/40, DPP45J/SC, NR627)
AK100	1½ inch push-on straight (NR1674)	¾ inch BSP straight (NR1611/40, DPP45J/SC)

All dimensions are given in mm unless otherwise stated. Technical Specifications are subject to change without notice.

**Gear Pump for Tipper Applications - EGP090250**

**PERFORMANCE**

Displacement	cm <sup>3</sup> /rev	90
Max. working pressure	bar	230
Peak pressure	bar	265
Max. working speed	rpm	1800 @ 230 bar 2700 @ 250 bar 3500 @ no pressure

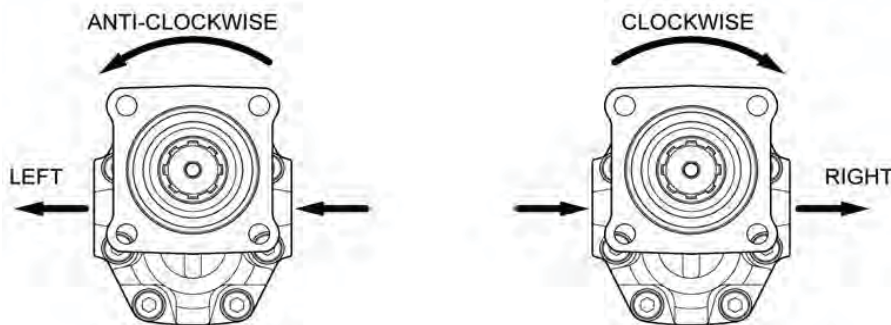
**PIPES**

- Size: Suction 1½ inch maximum  
Pressure ¾ inch maximum
- Pipe runs should be direct and short, with no kinks

**OIL & FILTRATION**

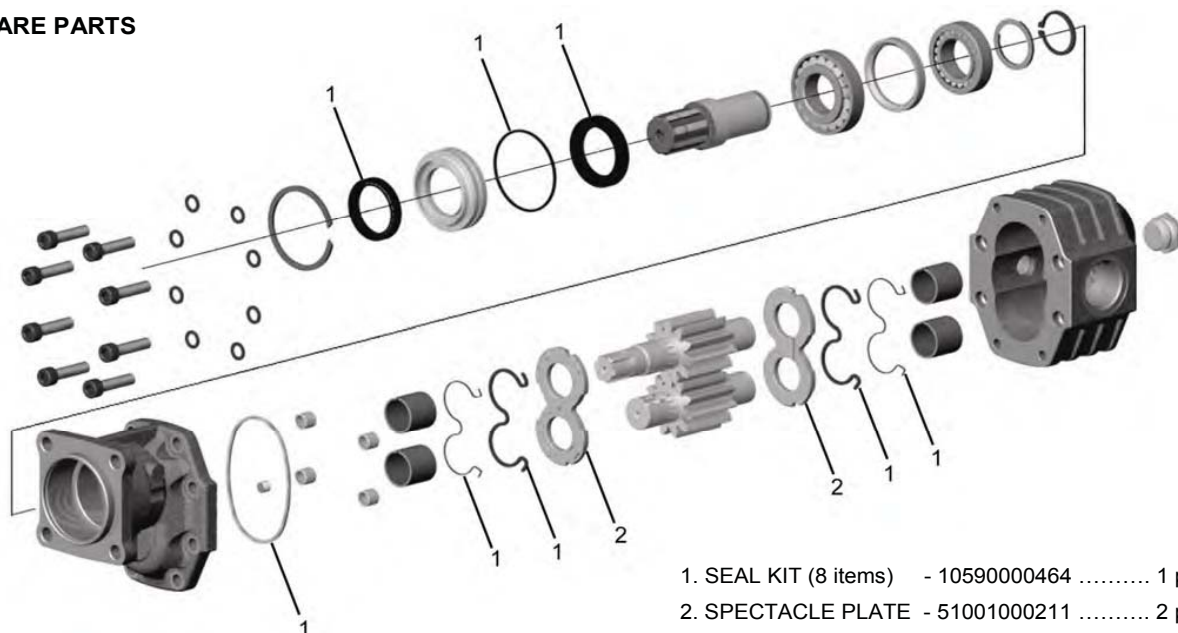
- This pump is designed for low pressure, intermittent use tipping systems without filtration.
- The oil should be a good quality hydraulic oil to ISO 6743/4 HM32 for -15° to +27°C working temperature.
- For extended life or for higher duty applications, 25 µm absolute return line filtration is recommended.
- Oil cleanliness is maintained to ISO 4406 class 19/16.
- Oil should be replaced annually.

**PUMP ROTATION**



- Pumps can be supplied to suit the rotation required.
- If rotation is reversed, refer to instructions shipped with kit.

**SPARE PARTS**

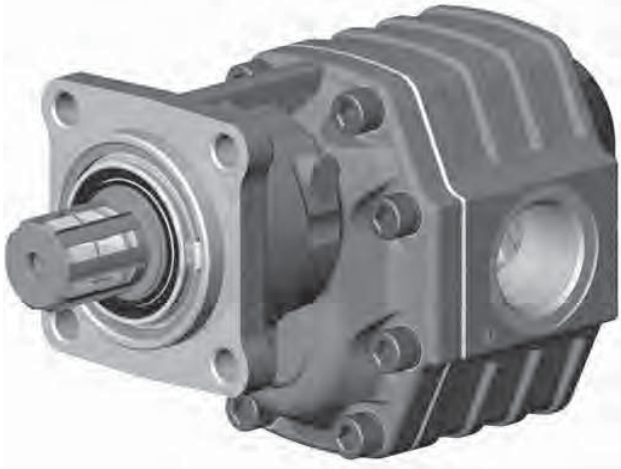


- 1. SEAL KIT (8 items) - 10590000464 ..... 1 per pump
- 2. SPECTACLE PLATE - 51001000211 ..... 2 per pump

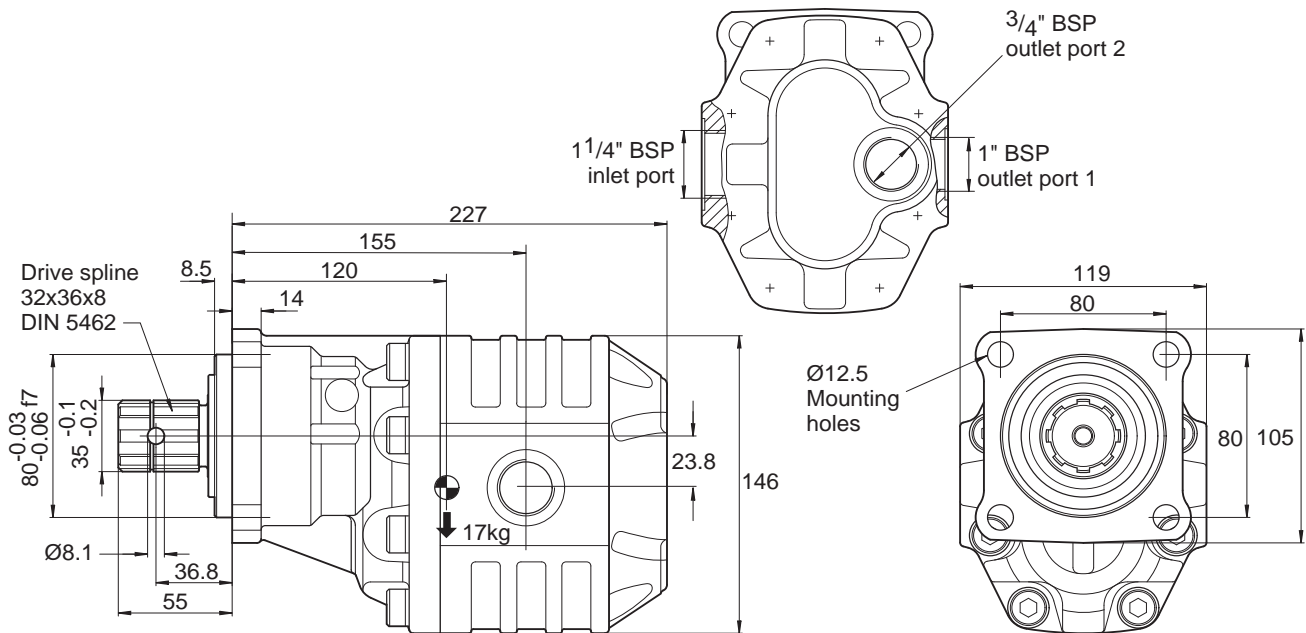
*All dimensions are given in mm unless otherwise stated. Technical Specifications are subject to change without notice.*



**Gear Pump: Tipper applications - EGP100220**



- 100 cm<sup>3</sup>/rev output flow
- Medium pressure (220 bar mwp)
- Compact size for easy installation
- Ideal for close coupled PTO mounting
- 4 - Hole ISO7653 Mounting flange
- Bronze thrust plates for maximum durability
- Available anti-clockwise (left) or clockwise (right) rotation
- Optional output port



Part Number	Description
EGP100220	Anti - clockwise (left) rotation
EGP100220C	Clockwise (right) rotation

**PIPE ADAPTOR KIT OPTIONS**

Part Number	Low Pressure Inlet	High Pressure Outlet (2)
AK84	1 1/2 inch push-on 90° elbow (NR1639)	3/4 inch BSP 90° elbow (NR611/42, DPP45F, NR627)
AK85	1 1/2 inch push-on 90° elbow (NR1639)	3/4 inch BSP straight (NR611/42, DPP45F)

*All dimensions are given in mm unless otherwise stated. Technical Specifications are subject to change without notice.*



**Gear Pump: Tipper applications - EGP100220**

**PERFORMANCE**

Displacement	cm <sup>3</sup> /rev	100
Max. Working Pressure	bar	220
Peak Pressure	bar	250
Max. Working Speed	rpm	1800 @ 220bar 2250 @ 150bar 3500 @ no pressure

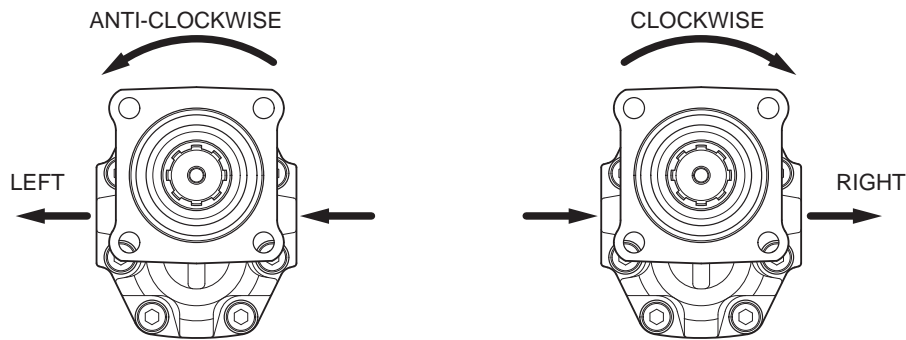
**PIPES**

- Size: Suction 1<sup>1</sup>/<sub>2</sub> inch minimum  
Pressure 3 <sup>1</sup>/<sub>4</sub> inch minimum
- Pipe runs should be direct and short, with no kinks.

**OIL & FILTRATION**

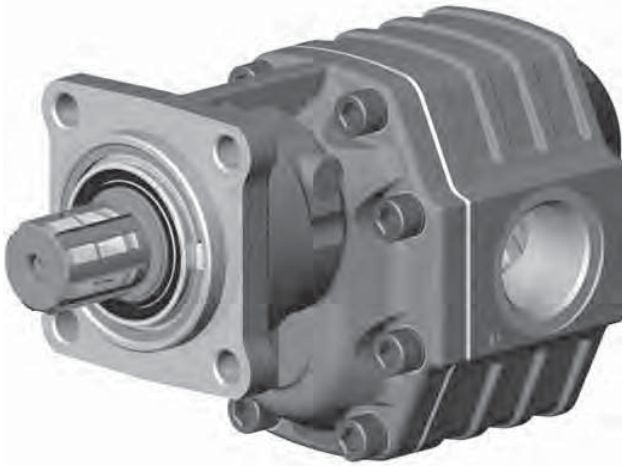
- This pump is designed for low pressure, intermittent use, tipper systems without filtration.
- The oil should be a good quality hydraulic oil to ISO 6743/4 HM32 for -15° to +27°C working temperature.
- For extended life or for higher duty applications, 25µm absolute return line filtration is recommended.
- Oil cleanliness to be maintained to ISO 4406 class 19/16.
- Oil should be replaced annually.

**PUMP ROTATION**

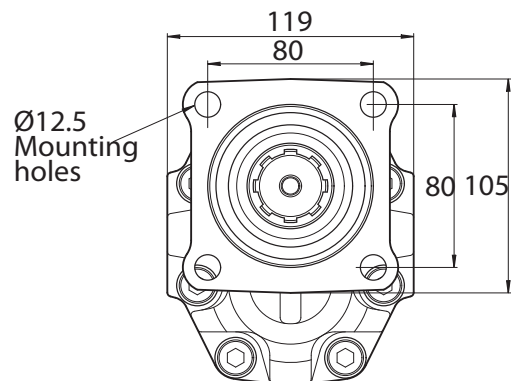
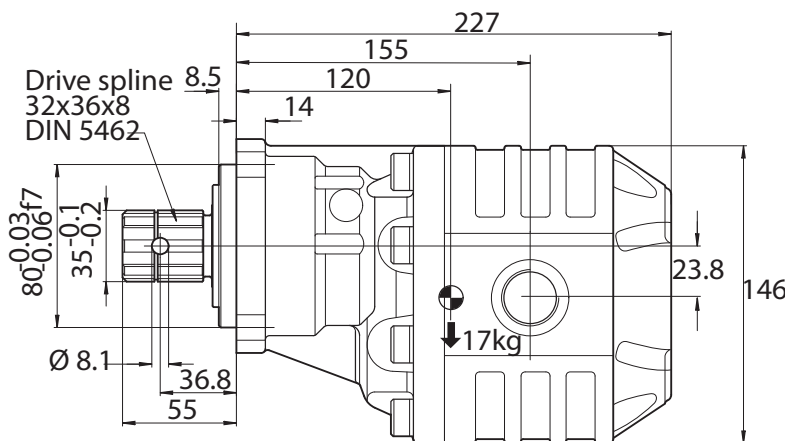
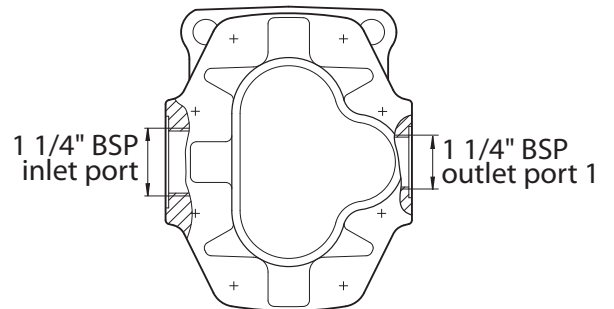


- Pumps can be supplied to suit the rotation required
- If rotation is to be reversed, refer to instructions supplied with the kit

**Bi-Rotational Gear Pump: Tipper Applications - EGP100220R**



- 100 cm<sup>3</sup>/rev output flow
- Medium pressure (200 bar mwp)
- Compact size for easy installation
- Ideal for close coupled PTO mounting
- 4 - Hole ISO7653 Mounting flange
- Bronze thrust plates for maximum durability
- Bi-Rotational pump



Part Number	Description
EGP100220R	Bi-Rotational Pump

**PIPE ADAPTOR KIT OPTIONS**

Low Pressure Inlet	High Pressure Outlet
1 1/2" inch push-on 90° elbow (NR1639)	1" inch BSP 90° elbow (NR611/47, DPP45J, NR634)

*All dimensions are given in mm unless otherwise stated. Technical Specifications are subject to change without notice.*

**Bi-Rotational Gear Pump: Tipper Applications - EGP100220R**

**PERFORMANCE**

Displacement	cm <sup>3</sup> /rev	100
Max. Working Pressure	bar	200
Peak Pressure	bar	200
Max. Working Speed	rpm	1800 @ 220bar 3500 @ no pressure

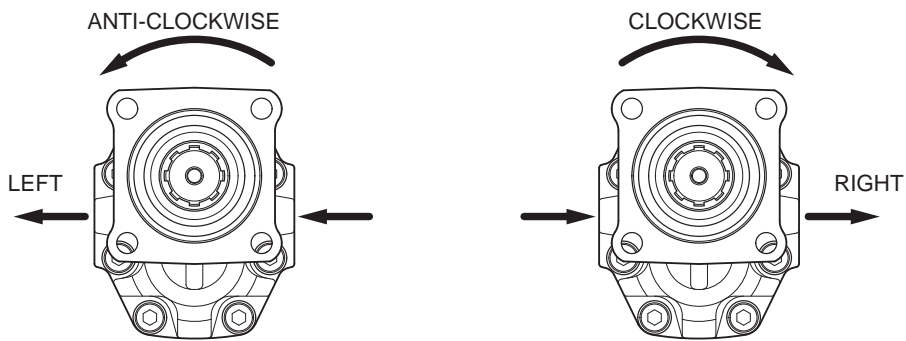
**PIPES**

- Size: Suction 1<sup>1</sup>/<sub>2</sub> inch minimum  
Pressure 3<sup>3</sup>/<sub>4</sub> inch minimum
- Pipe runs should be direct and short, with no kinks.

**OIL & FILTRATION**

- This pump is designed for low pressure, intermittent use, tipper systems without filtration.
- The oil should be a good quality hydraulic oil to ISO 6743/4 HM32 for -15° to +27°C working temperature.
- For extended life or for higher duty applications, 25µm absolute return line filtration is recommended.
- Oil cleanliness to be maintained to ISO 4406 class 19/16.
- Oil should be replaced annually.

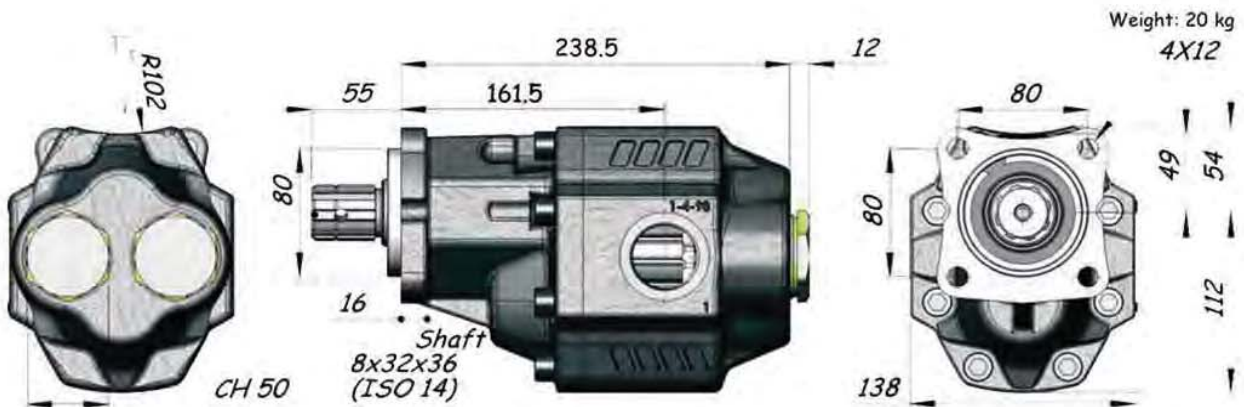
**PUMP ROTATION**



**Gear Pump for Tipper Applications - EGP112225R**



- 112cm<sup>3</sup>/rev output flow
- Medium pressure (225 bar mwp)
- Compact size for easy installation
- Ideal for close coupled PTO mounting
- 4 - Hole ISO7653 mounting flange
- Bronze thrust plates for maximum durability
- Bi-directional
- Optional output port



Part Number	Description
EGP112225R	Bi-directional gear pump

**PIPE ADAPTOR KIT OPTIONS**

Part Number	Low Pressure Inlet	High Pressure Outlet
AK97	1½ inch push-on 90° elbow (NR1639)	¾ inch BSP 90° elbow (NR1611/40, DPP45J/SC, NR627)
AK98	1½ inch push-on 90° elbow (NR1639)	¾ inch BSP straight (NR1611/40, DPP45J/SC)
AK99	1½ inch push-on straight (NR1674)	¾ inch BSP 90° elbow (NR1611/40, DPP45J/SC, NR627)
AK100	1½ inch push-on straight (NR1674)	¾ inch BSP straight (NR1611/40, DPP45J/SC)

All dimensions are given in mm unless otherwise stated. Technical Specifications are subject to change without notice.

**Gear Pump for Tipper Applications - EGP112225R**

**PERFORMANCE**

Displacement	cm <sup>3</sup> /rev	112
Max. working pressure	bar	205
Peak pressure	bar	240
Max. working speed	rpm	1800 @ 205 bar 2700 @ 225 bar

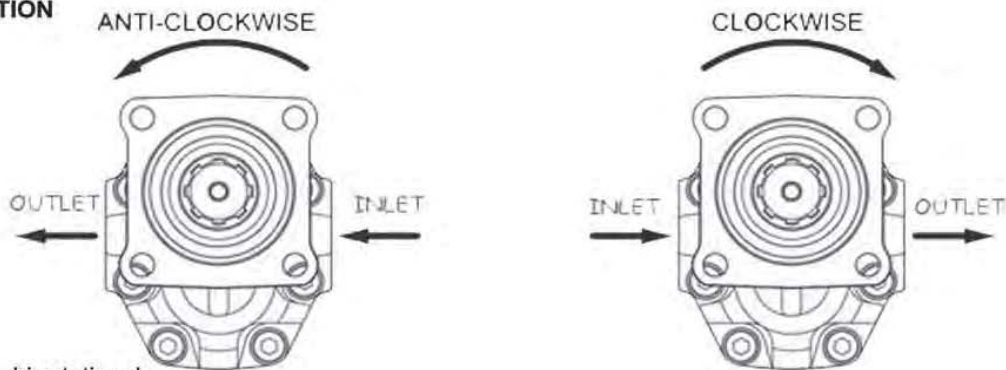
**PIPES**

- Size: Suction 1½ inch maximum  
Pressure ¾ inch maximum
- Pipe runs should be direct and short, with no kinks

**OIL & FILTRATION**

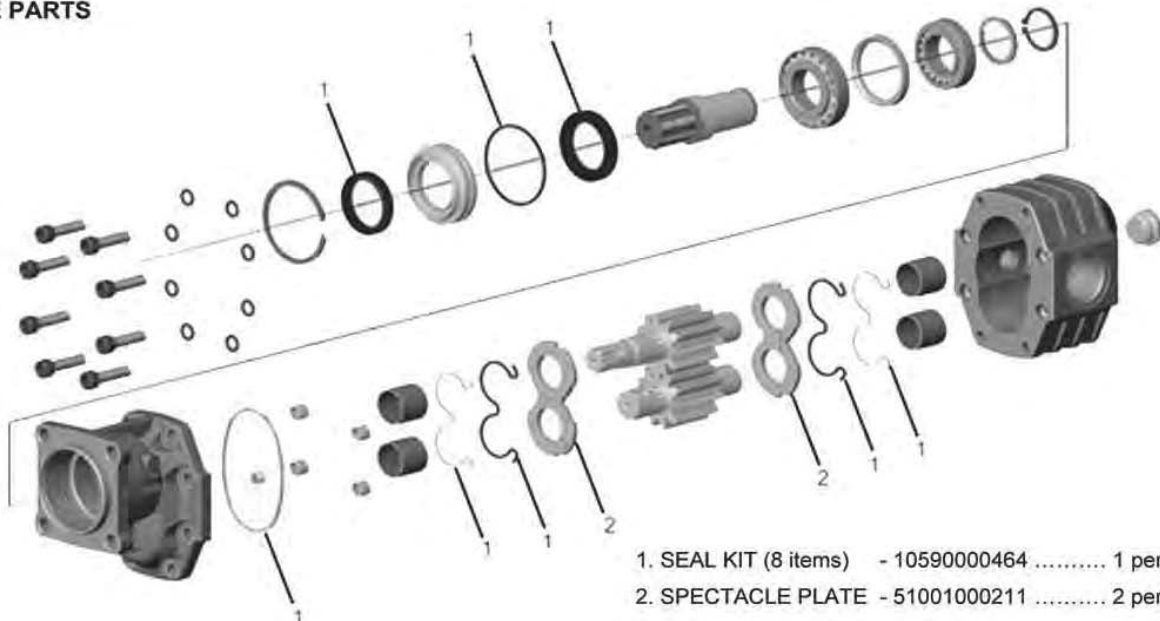
- This pump is designed for low pressure, intermittent use tipping systems without filtration.
- The oil should be a good quality hydraulic oil to ISO 6743/4 HM32 for -15° to +27°C working temperature.
- For extended life or for higher duty applications, 25 µm absolute return line filtration is recommended.
- Oil cleanliness is maintained to ISO 4406 class 19/16.
- Oil should be replaced annually.

**PUMP ROTATION**



- Pump is bi-rotational.
- Rotation is dependent on feed positions.

**SPARE PARTS**

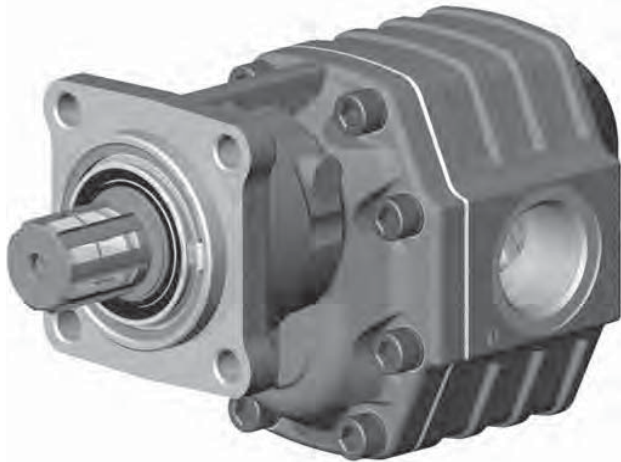


- 1. SEAL KIT (8 items) - 10590000464 ..... 1 per pump
- 2. SPECTACLE PLATE - 51001000211 ..... 2 per pump

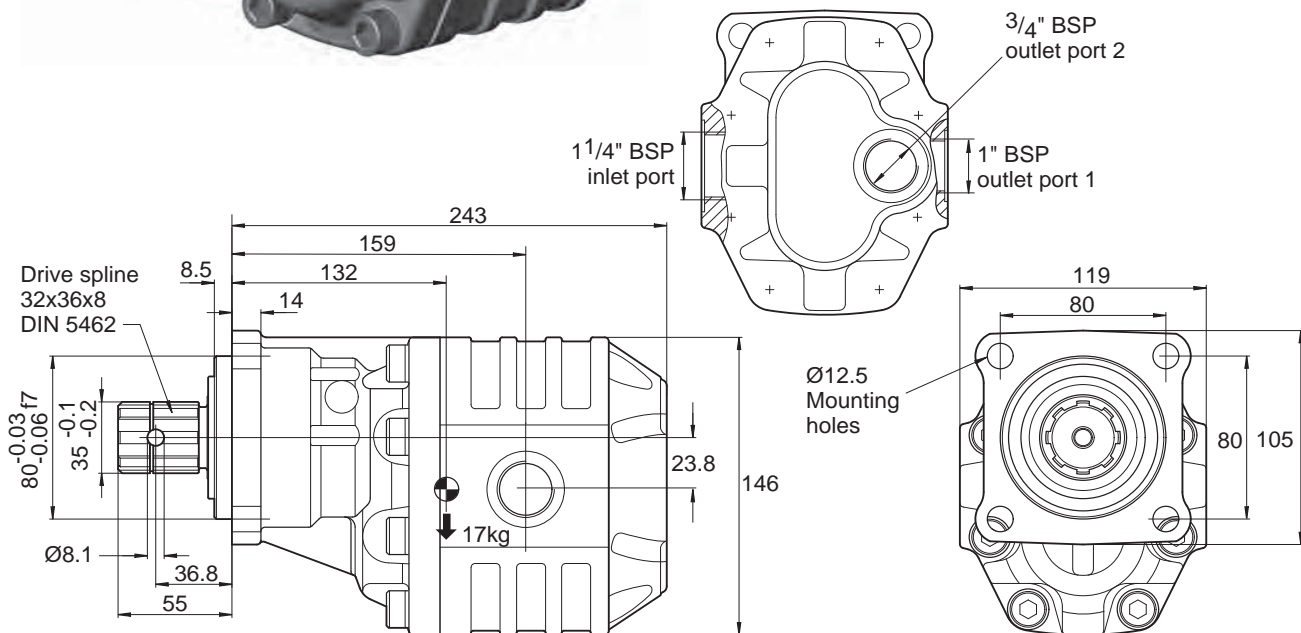
All dimensions are given in mm unless otherwise stated. Technical Specifications are subject to change without notice.



**Gear Pump: Tipper applications - EGP125150**



- 125 cm<sup>3</sup>/rev output flow
- Medium pressure (150 bar mwp)
- Compact size for easy installation
- Ideal for close coupled PTO mounting
- 4 - Hole ISO7653 Mounting flange
- Bronze thrust plates for maximum durability
- Available anti-clockwise (left) or clockwise (right) rotation
- Optional output port



Part Number	Description
EGP125150	Anti - clockwise (left) rotation
EGP125150C	Clockwise (right) rotation

**PIPE ADAPTOR KIT OPTIONS**

Part Number	Low Pressure Inlet	High Pressure Outlet
AK84	1 1/2 inch push-on 90° elbow (NR1639)	3/4 inch BSP 90° elbow (NR61 1/42, DPP45F, NR627)
AK85	1 1/2 inch push-on 90° elbow (NR1639)	3/4 inch BSP straight (NR611/42, DPP45F)

All dimensions are given in mm unless otherwise stated. Technical Specifications are subject to change without notice.

**Gear Pump: Tipper applications - EGP125150**

**PERFORMANCE**

Displacement	cm <sup>3</sup> /rev	125
Max. Working Pressure	bar	150
Peak Pressure	bar	180
Max. Working Speed	rpm	1800 @ 160bar 3500 @ no pressure

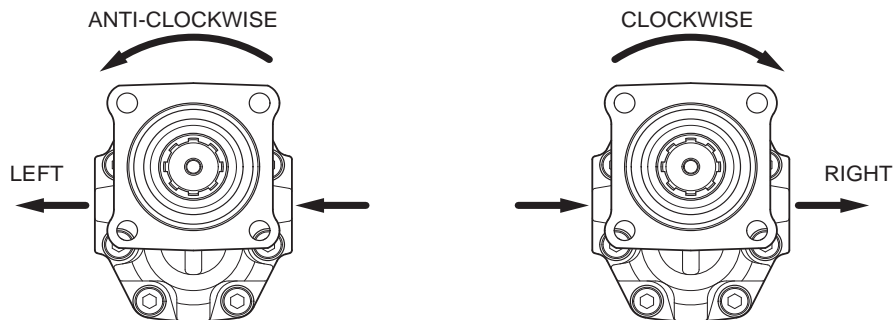
**PIPES**

- Size: Suction 1 1/2 inch minimum  
Pressure 3 1/4 inch minimum
- Pipe runs should be direct and short, with no kinks.

**OIL & FILTRATION**

- This pump is designed for low pressure, intermittent use, tipper systems without filtration.
- The oil should be a good quality hydraulic oil to ISO 6743/4 HM32 for -15° to +27°C working temperature.
- For extended life or for higher duty applications, 25µm absolute return line filtration is recommended.
- Oil cleanliness to be maintained to ISO 4406 class 19/16.
- Oil should be replaced annually.

**PUMP ROTATION**



- Pumps can be supplied to suit the rotation required
- If rotation is to be reversed, refer to instructions supplied with the kit

**Gear Pumps: Low Pressure Adaptors**



PUMP SIZE	Inlet Port	1" 90°	1.25" 90°	1.5" 90°	2" 90°	2" 45°
EGP017	0.5" BSP	NR1672	NR1677	-	-	-
EGP027	0.75" BSP	NR1678	NR1679	NR1644	-	-
EGP034	0.75" BSP	NR1678	NR1679	NR1644	-	-
EGP043	0.75" BSP	NR1678	NR1679	NR1644	-	-
EGP061	1" BSP	-	NR1681	NR1664	NR1680	-
EGP082	1.25" BSP	-	-	NR1639	NR1682	NR1683
EGP100	1.25" BSP	-	-	NR1639	NR1682	NR1683
EGP125	1.25" BSP	-	-	NR1639	NR1682	NR1683

Adaptor available NR1686 – 0.5" bsp male to 0.75" bsp female

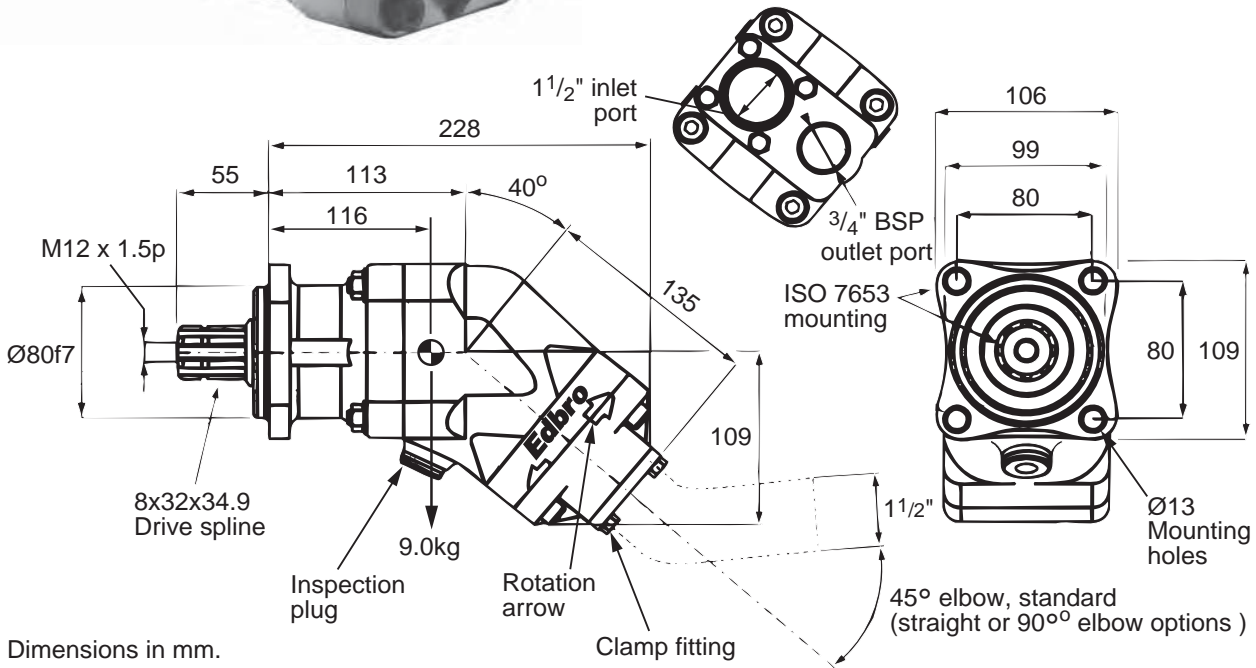


For use with Edbro 3- and 4-bolt Gear pumps

**Bent Axis Piston Pump: Tipper Applications - EBA04722**



- 47 cm<sup>3</sup>/rev output flow
- Medium pressure (220 bar mwp)
- Compact size for easy installation
- Ideal for close coupled PTO mounting
- Lightweight aluminium casings
- Reversible rotation whilst installed
- 4 - Hole ISO7653 Mounting flange



Dimensions in mm.

Gear and Piston Pumps

**PIPE ADAPTOR KIT OPTIONS**

Low pressure inlet adaptors	High pressure outlet adaptor options	
	3/4 inch BSP straight (NR611/42, DPP45F)	3/4 inch BSP 90° elbow (NR611/42, NR627, DPP45F)
1 1/2 inch push-on 45° elbow (NR1588)	AK53 (standard)	AK66
1 1/2 inch push-on 90° elbow (NR1589)	AK54	AK67
1 1/2 inch push-on straight (NR1612)	AK52	AK65

All dimensions are given in mm unless otherwise stated. Technical Specifications are subject to change without notice.

**Bent Axis Piston Pump: Tipper Applications - EBA04722**

**PERFORMANCE**

Displacement	cm <sup>3</sup> /rev	47
Max. Working Pressure	bar	220
Max. Working Speed	rpm	1900
Max.Speed Off-Load	rpm	2500
Power	Kw	55
Weight	kg	9.0
Moment at PTO face	Nm	10.1

**OIL & FILTRATION**

This pump is designed for low pressure, intermittent use, tipper systems without filtration. The oil should be a good quality hydraulic oil to ISO 6743/4 HM32 for -15° to +27° C working temperature.

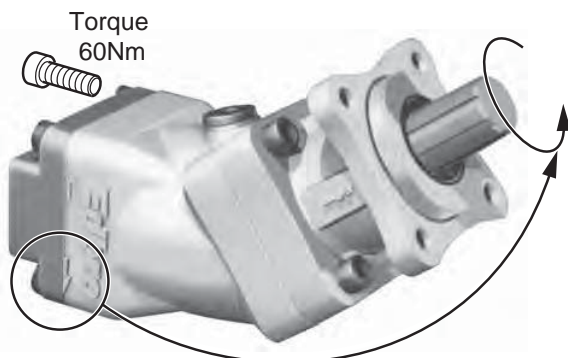
For extended life or for higher duty applications, 25mm absolute return line filtration is recommended. Oil cleanliness to be maintained to ISO 4406 class 19/16. Oil should be replaced annually.

**PIPES**

Size: Suction 1 1/2 inch minimum  
Pressure 3/4 inch minimum

The suction pipe must be able to withstand -12psi (-0.8bar) pressure.

Pipe runs should be direct and short, with no kinks.



**ROTATION DIRECTION**

The rotation direction is shown by the complete arrows on the pump casing, and is specified as clockwise (right hand rotation) or anti-clockwise (left hand rotation), when viewed looking toward the pump along the splined shaft.

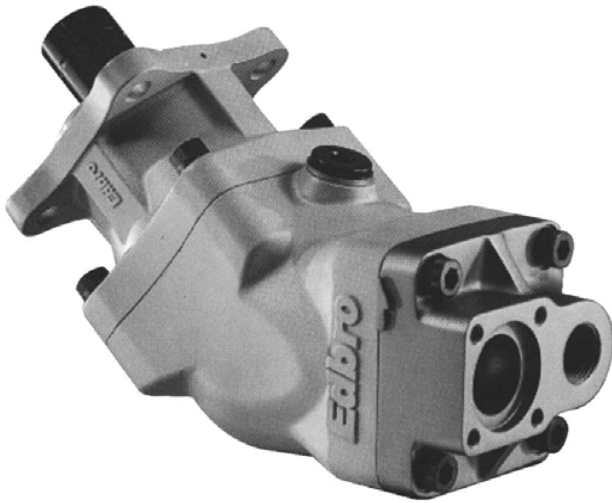
To change the rotation direction, remove the 4 setscrews and lift the end cover by a few mm.

Rotate through 180° push back into place and replace the setscrews.

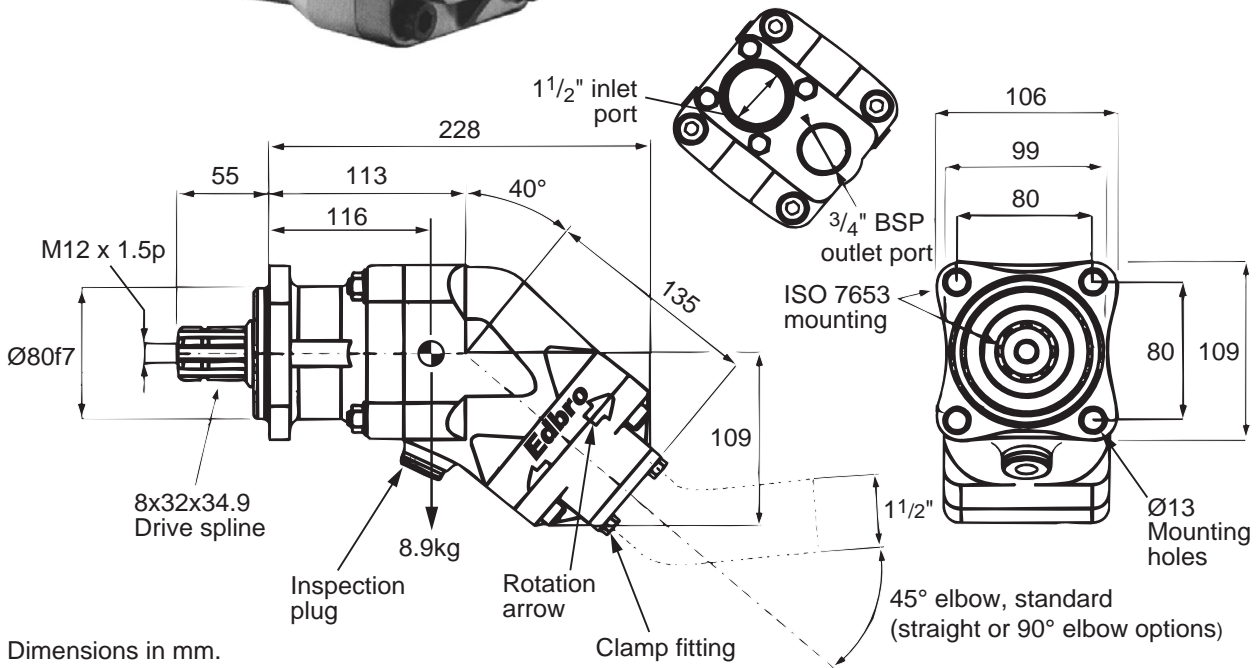
Unless specially requested, ANTI-CLOCKWISE configuration will be supplied.



**Bent Axis Piston Pump: Tipper Applications - EBA06422**



- 64 cm<sup>3</sup>/rev output flow
- Medium pressure (250 bar mwp)
- Compact size for easy installation
- Ideal for close coupled PTO mounting
- Lightweight aluminium casings
- Reversible rotation whilst installed
- 4 - Hole ISO7653 Mounting flange



Dimensions in mm.

**PIPE ADAPTOR KIT OPTIONS**

Low pressure inlet adaptors	High pressure outlet adaptor options	
	3/4 inch BSP straight (NR611/42, DPP45F)	3/4 inch BSP 90° elbow (NR611/42, NR627, DPP45F)
1 1/2 inch push-on 45° elbow (NR1588)	AK53 (standard)	AK66
1 1/2 inch push-on 90° elbow (NR1589)	AK54	AK67
1 1/2 inch push-on straight (NR1612)	AK52	AK65

All dimensions are given in mm unless otherwise stated. Technical Specifications are subject to change without notice.

**Bent Axis Piston Pump: Tipper Applications - EBA06422**

**PERFORMANCE**

Displacement	cm <sup>3</sup> /rev	64
Max. Working Pressure	bar	250
Max. Working Speed	rpm	1900
Max.Speed Off-Load	rpm	2500
Power	Kw	55
Weight	kg	9.0
Moment at PTO face	Nm	10.1

**OIL & FILTRATION**

This pump is designed for low pressure, intermittent use, tipper systems without filtration. The oil should be a good quality hydraulic oil

to ISO 6743/4 HM32 for -15° to +27°C working temperature.

For extended life or for higher duty applications, 25mm absolute return line filtration is recommended.

Oil cleanliness to be maintained to ISO 4406 class 19/16.

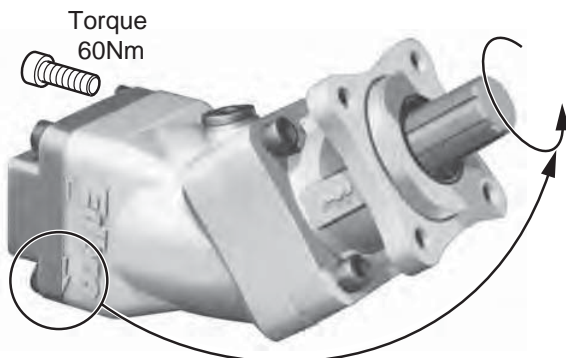
Oil should be replaced annually.

**PIPES**

Size: Suction 1 1/2 inch minimum  
Pressure 3/4 inch minimum

The suction pipe must be able to withstand -12psi (-0.8bar) pressure.

Pipe runs should be direct and short, with no kinks.



**ROTATION DIRECTION**

The rotation direction is shown by the complete arrows on the pump casing, and is specified as clockwise (right hand rotation) or anti-clockwise (left hand rotation), when viewed looking toward the pump along the splined shaft.

To change the rotation direction, remove the 4 setscrews and lift the end cover by a few mm.

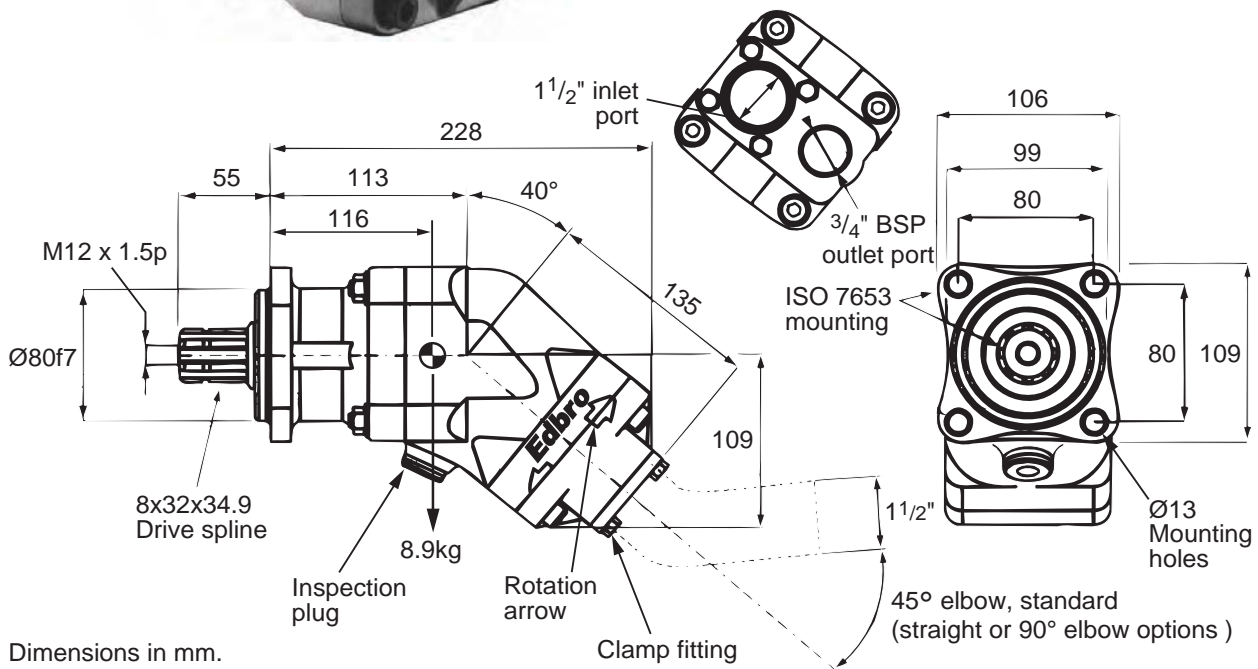
Rotate through 180° push back into place and replace the setscrews.

Unless specially requested, ANTI-CLOCKWISE configuration will be supplied.

**Bent Axis Piston Pump: Tipper Applications - EBA09022**



- 90 cm<sup>3</sup>/rev output flow
- Medium pressure (250 bar mwp)
- Compact size for easy installation
- Ideal for close coupled PTO mounting
- Lightweight aluminium casings
- Reversible rotation whilst installed
- 4 - Hole ISO7653 Mounting flange



Dimensions in mm.

**PIPE ADAPTOR KIT OPTIONS**

Low pressure inlet adaptors	High pressure outlet adaptor options	
	3/4 inch BSP straight (NR611/1, DPP45F)	3/4 inch BSP 90° elbow (NR611/1, NR627, DPP45F)
1 1/2 inch push-on 45° elbow (NR1588)	AK53 (standard)	AK66
1 1/2 inch push-on 90° elbow (NR1589)	AK54	AK67
1 1/2 inch push-on straight (NR1612)	AK52	AK65
2 inch push-on	Details available on request	

All dimensions are given in mm unless otherwise stated. Technical Specifications are subject to change without notice.

**Bent Axis Piston Pump: Tipper Applications - EBA09022**

**PERFORMANCE**

Displacement	cm <sup>3</sup> /rev	90
Max. Working Pressure	bar	250
Max. Working Speed	rpm	1800
Max. Speed Off-Load	rpm	2500
Power	Kw	70
Weight	kg	8.9
Moment at PTO face	Nm	10.1

**PIPES**

Size: Suction 1 1/2 inch minimum  
Pressure 3/4 inch minimum

For improved high speed efficiency and to avoid cavitation, a 2 inch suction pipe must be used.

The suction pipe must be able to withstand -12psi (-0.8bar) pressure.

Pipe runs should be direct and short, with no kinks.

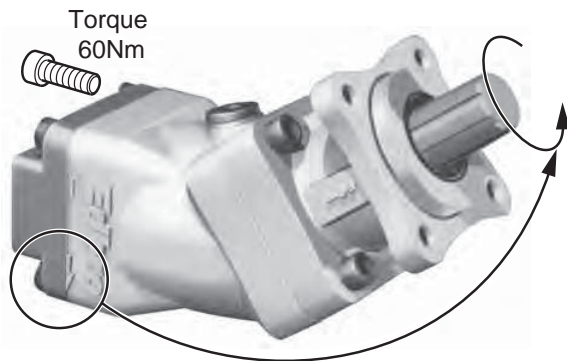
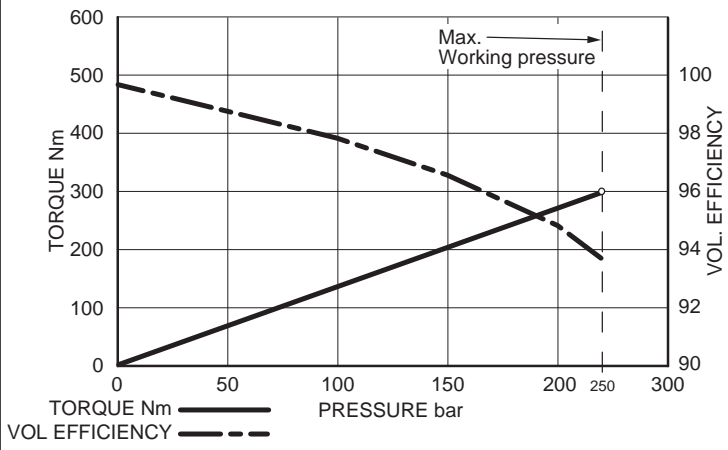
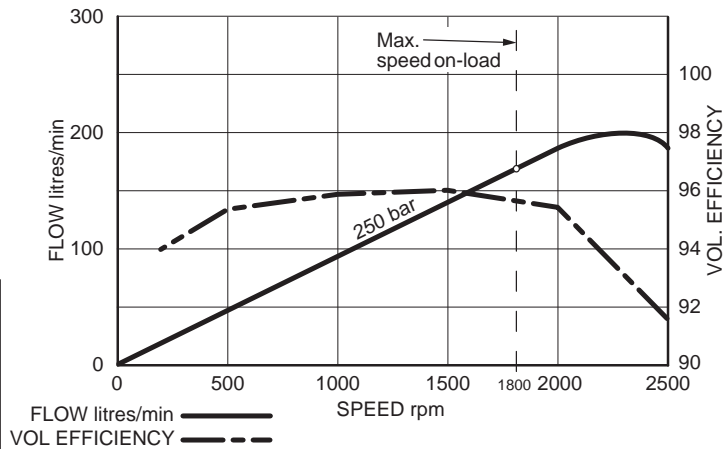
**OIL & FILTRATION**

This pump is designed for low pressure, intermittent use, tipper systems without filtration. The oil should be a good quality hydraulic oil to ISO 6743/4 HM32 for -15° to +27°C working temperature.

For extended life or for higher duty applications, 25µm absolute return line filtration is recommended.

Oil cleanliness to be maintained to ISO 4406 class 19/16.

Oil should be replaced annually.



**ROTATION DIRECTION**

The rotation direction is shown by the complete arrows on the pump casing, and is specified as clockwise (right hand rotation) or anti-clockwise (left hand rotation), when viewed looking toward the pump along the splined shaft.

To change the rotation direction, remove the 4 setscrews and lift the end cover by a few mm.

Rotate through 180° push back into place and replace the setscrews.

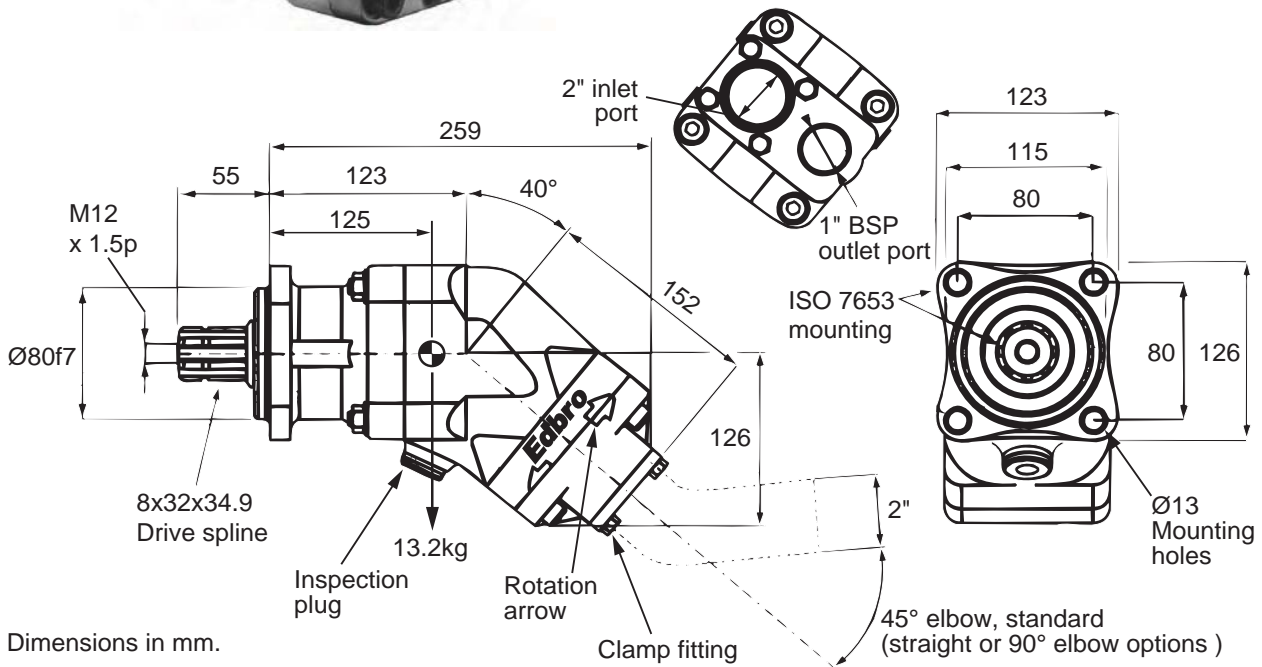
Unless specially requested, ANTI-CLOCKWISE configuration will be supplied.

All dimensions are given in mm unless otherwise stated. Technical Specifications are subject to change without notice.

**Bent Axis Piston Pump: Tipper Applications - EBA13022**



- 130 cm<sup>3</sup>/rev output flow
- Medium pressure (220 bar mwp)
- Compact size for easy installation
- Ideal for close coupled PTO mounting
- Lightweight aluminium casings
- Reversible rotation whilst installed
- 4 - Hole ISO7653 Mounting flange



**PIPE ADAPTOR KIT OPTIONS**

Low pressure inlet adaptors	High pressure outlet adaptor options	
	1 inch BSP straight (NR611/24, DPP45H)	1 inch BSP 90° Elbow (NR611/24, NR634, DPP45H)
2 inch push-on 45° elbow (NR1608)	AK59 (standard)	AK72
2 inch push-on 90° elbow (NR1605)	AK60	AK73
2 inch push-on straight (NR1615)	AK58	AK71
2 1/2 inch push-on	Details available on request	

All dimensions are given in mm unless otherwise stated. Technical Specifications are subject to change without notice.



**Bent Axis Piston Pump: Tipper Applications - EBA13022**

**PERFORMANCE**

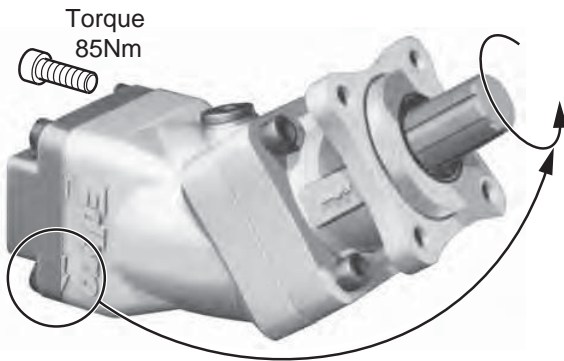
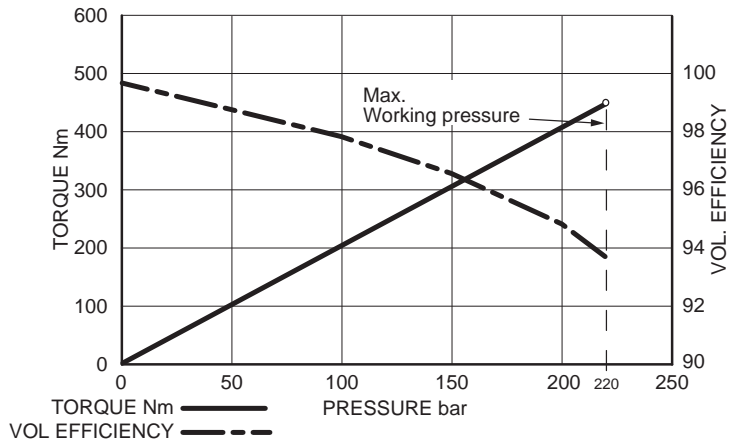
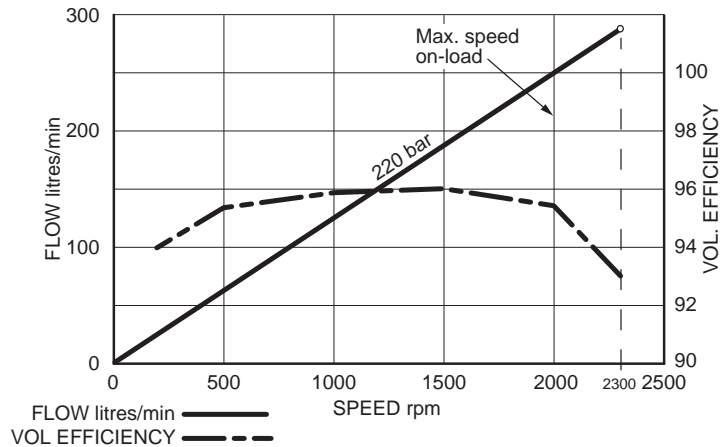
Displacement	cm <sup>3</sup> /rev	130
Max. Working Pressure	bar	220
Max. Working Speed	rpm	2000
Max. Speed Off-Load	rpm	2300
Power	Kw	95
Weight	kg	13.2
Moment at PTO face	Nm	16.2

**PIPES**

Size: Suction 2 inch minimum  
Pressure 1 inch minimum  
For improved high speed efficiency and to avoid cavitation, a 2 1/2 inch suction pipe must be used. The suction pipe must be able to withstand -12psi (-0.8bar) pressure. Pipe runs should be direct and short, with no kinks.

**OIL & FILTRATION**

This pump is designed for low pressure, intermittent use, tipper systems without filtration. The oil should be a good quality hydraulic oil to ISO 6743/4 HM32 for -15° to +27°C working temperature. For extended life or for higher duty applications, 25µm absolute return line filtration is recommended. Oil cleanliness to be maintained to ISO 4406 class 19/16. Oil should be replaced annually.



**ROTATION DIRECTION**

The rotation direction is shown by the complete arrows on the pump casing, and is specified as clockwise (right hand rotation) or anti-clockwise (left hand rotation), when viewed looking toward the pump along the splined shaft.

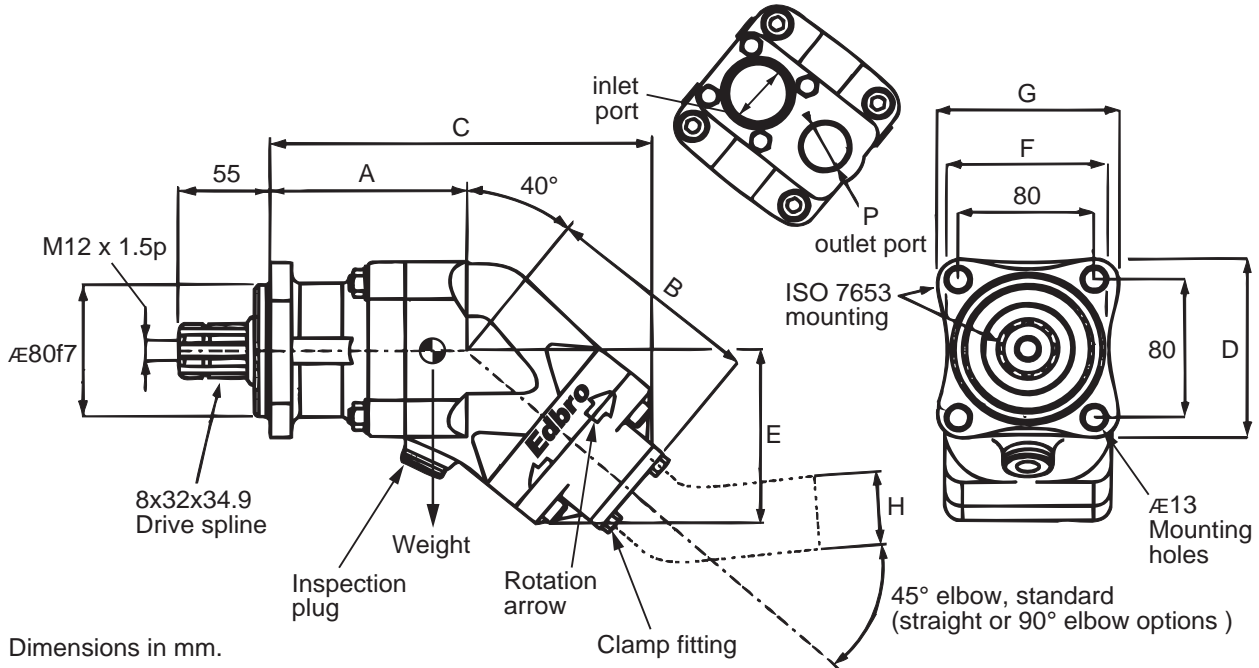
To change the rotation direction, remove the 4 setscrews and lift the end cover by a few mm.

Rotate through 180° push back into place and replace the setscrews.

Unless specially requested, ANTI-CLOCKWISE configuration will be supplied.

**Bent Axis Piston Pump: Crane Applications**

- 12 to 108 cm<sup>3</sup>/rev displacement
- High pressure (400 bar mwp)
- Compact size for easy installation
- Ideal for close coupled PTO mounting
- Reversible rotation whilst installed
- 4 - Hole ISO7653 Mounting flange



Dimensions in mm.

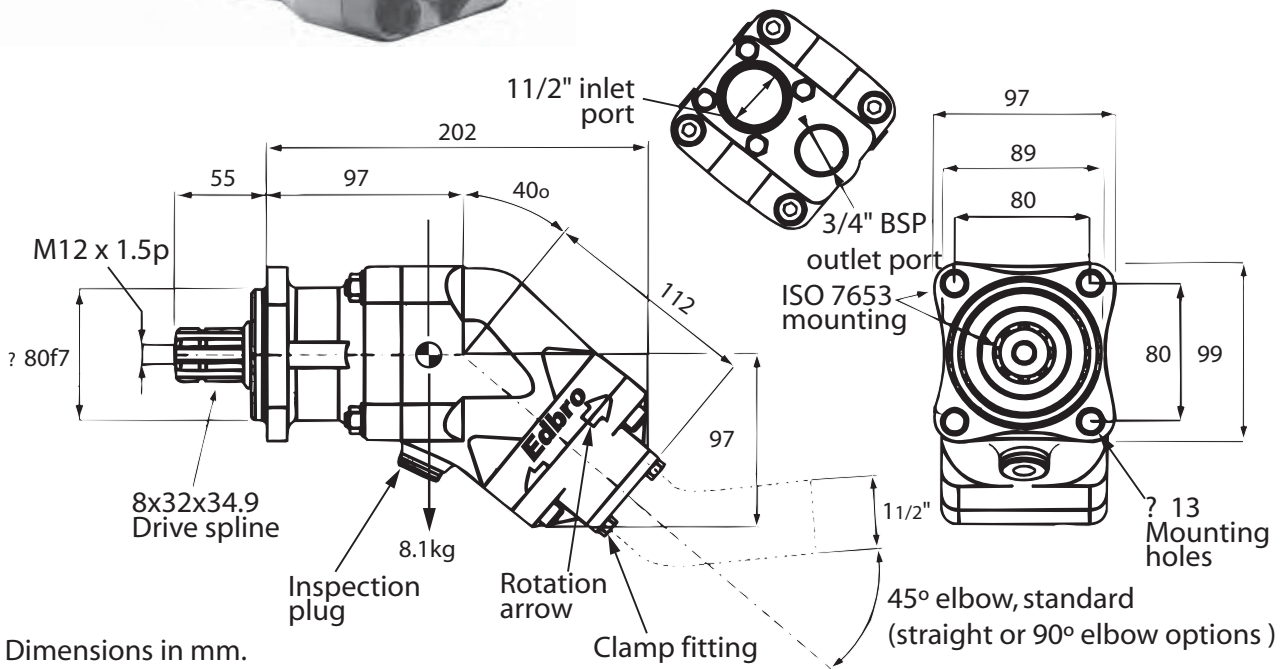
Nomenclature	Units	EBA01240	EBA01740	EBA02540	EBA03440	EBA04740	EBA06440	EBA08440	EBA10840	
Displacement	cm <sup>3</sup> /rev	12.6	17.0	25.4	34.2	47.1	63.6	83.6	108.0	
Nominal Flow at 1000 rpm	l/min	12.0	16.2	25.0	34.0	47.0	63.5	83.5	108.0	
Max. Pump Speed										
Continuous	RPM	2300	2300	2300	2300	1900	1900	1500	1500	
Intermittant	RPM	3000	3000	3000	3000	2500	2500	2000	2000	
Max. Working Pressure	bar	400	400	400	400	400	400	400	400	
Weight	kgs	8.1	8.1	8.1	8.1	11.7	11.7	17	17	
Dimensions	A	mm	97	97	97	97	113	113	123	123
	B		112	112	112	112	130	130	147	147
	C		202	202	202	202	228	228	259	259
	D		99	99	99	99	109	109	126	126
	E		97	97	97	97	109	109	126	126
	F		89	89	89	89	99	99	115	115
	G		97	97	97	97	106	106	123	123
	H		38	38	38	38	38	38	50	50
P	BSP		3/4"	3/4"	3/4"	3/4"	3/4"	1"	1"	

All dimensions are given in mm unless otherwise stated. Technical Specifications are subject to change without notice.

**Bent Axis Piston Pump: Crane Applications - EBA01240**



- 12 cm<sup>3</sup>/rev output flow
- High pressure (400 bar mwp)
- Compact size for easy installation
- Ideal for close coupled PTO mounting
- 4 - Hole ISO7653 Mounting flange
- Reversible rotation whilst installed



Dimensions in mm.

**PIPE ADAPTOR KIT OPTIONS**

Low pressure inlet adaptors	High pressure outlet adaptor options	
	3/4 inch BSP straight (NR611/42, DPP45F)	3/4 inch BSP 90° elbow (NR611/42, NR627, DPP45F)
11/2 inch push-on 45° elbow (NR1588)	AK53 (standard)	AK66
11/2 inch push-on 90° elbow (NR1589)	AK54	AK67
11/2 inch push-on straight (NR1612)	AK52	AK65

All dimensions are given in mm unless otherwise stated. Technical Specifications are subject to change without notice.

**Bent Axis Piston Pump: Crane Applications - EBA01240**

**PERFORMANCE**

Displacement	cm <sup>3</sup> /rev	12
Max. Working Pressure	bar	400
Max. Working Speed	rpm	2300
Max.Speed Off-Load	rpm	3000
Power	Kw	55
Weight	kg	8.1

**OIL & FILTRATION**

This pump is designed for low pressure, intermittent use, tipper systems without filtration. The oil should be a good quality hydraulic oil to ISO 6743/4 HM32 for -15° to +27°C working temperature.

For extended life or for higher duty applications, 25µm absolute return line filtration is recommended.

Oil cleanliness to be maintained to ISO 4406 class 19/16.

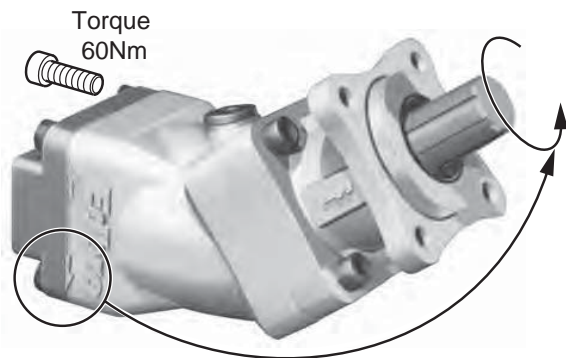
Oil should be replaced annually.

**PIPES**

Size: Suction 1 1/2 inch minimum  
Pressure 3/4 inch minimum

The suction pipe must be able to withstand -12psi (-0.8bar) pressure.

Pipe runs should be direct and short, with no kinks.



**ROTATION DIRECTION**

The rotation direction is shown by the complete arrows on the pump casing, and is specified as clockwise (right hand rotation) or anti-clockwise (left hand rotation), when viewed looking toward the pump along the splined shaft.

To change the rotation direction, remove the 4 setscrews and lift the end cover by a few mm.

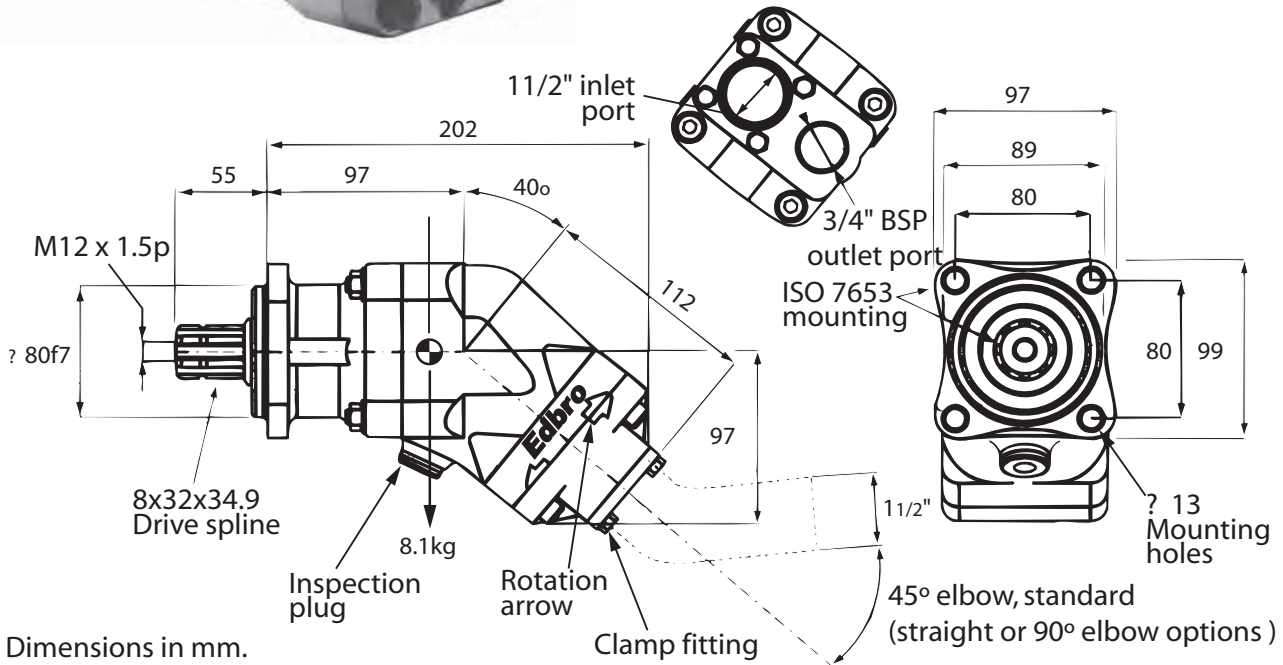
Rotate through 180° push back into place and replace the setscrews.

Unless specially requested, ANTI-CLOCKWISE configuration will be supplied.

**Bent Axis Piston Pump: Crane Applications - EBA01740**



- 17 cm<sup>3</sup>/rev output flow
- High pressure (400 bar mwp)
- Compact size for easy installation
- Ideal for close coupled PTO mounting
- 4 - Hole ISO7653 Mounting flange
- Reversible rotation whilst installed



Dimensions in mm.

**PIPE ADAPTOR KIT OPTIONS**

Low pressure inlet adaptors	High pressure outlet adaptor options	
	3/4 inch BSP straight (NR611/42, DPP45F)	3/4 inch BSP 90° elbow (NR611/42, NR627, DPP45F)
1 1/2 inch push-on 45° elbow (NR1588)	AK53 (standard)	AK66
1 1/2 inch push-on 90° elbow (NR1589)	AK54	AK67
1 1/2 inch push-on straight (NR1612)	AK52	AK65

All dimensions are given in mm unless otherwise stated. Technical Specifications are subject to change without notice.



**Bent Axis Piston Pump: Crane Applications - EBA01740**

**PERFORMANCE**

Displacement	cm <sup>3</sup> /rev	17
Max. Working Pressure	bar	400
Max. Working Speed	rpm	2300
Max. Speed Off-Load	rpm	3000
Power	Kw	55
Weight	kg	8.1

**OIL & FILTRATION**

This pump is designed for low pressure, intermittent use, tipper systems without filtration. The oil should be a good quality hydraulic oil to ISO 6743/4 HM32 for -15° to +27°C working temperature.

For extended life or for higher duty applications, 25µm absolute return line filtration is recommended.

Oil cleanliness to be maintained to ISO 4406 class 19/16.

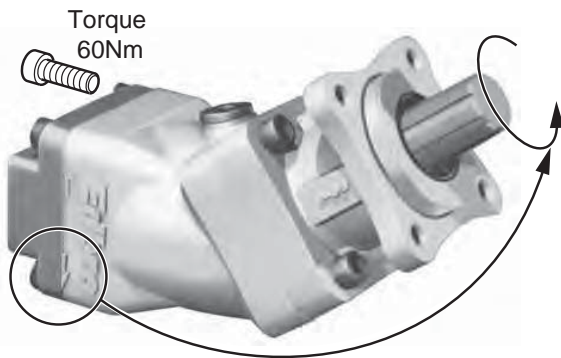
Oil should be replaced annually.

**PIPES**

Size: Suction 1 1/2 inch minimum  
Pressure 3/4 inch minimum

The suction pipe must be able to withstand -12psi (-0.8bar) pressure.

Pipe runs should be direct and short, with no kinks.



**ROTATION DIRECTION**

The rotation direction is shown by the complete arrows on the pump casing, and is specified as clockwise (right hand rotation) or anti-clockwise (left hand rotation), when viewed looking toward the pump along the splined shaft.

To change the rotation direction, remove the 4 setscrews and lift the end cover by a few mm.

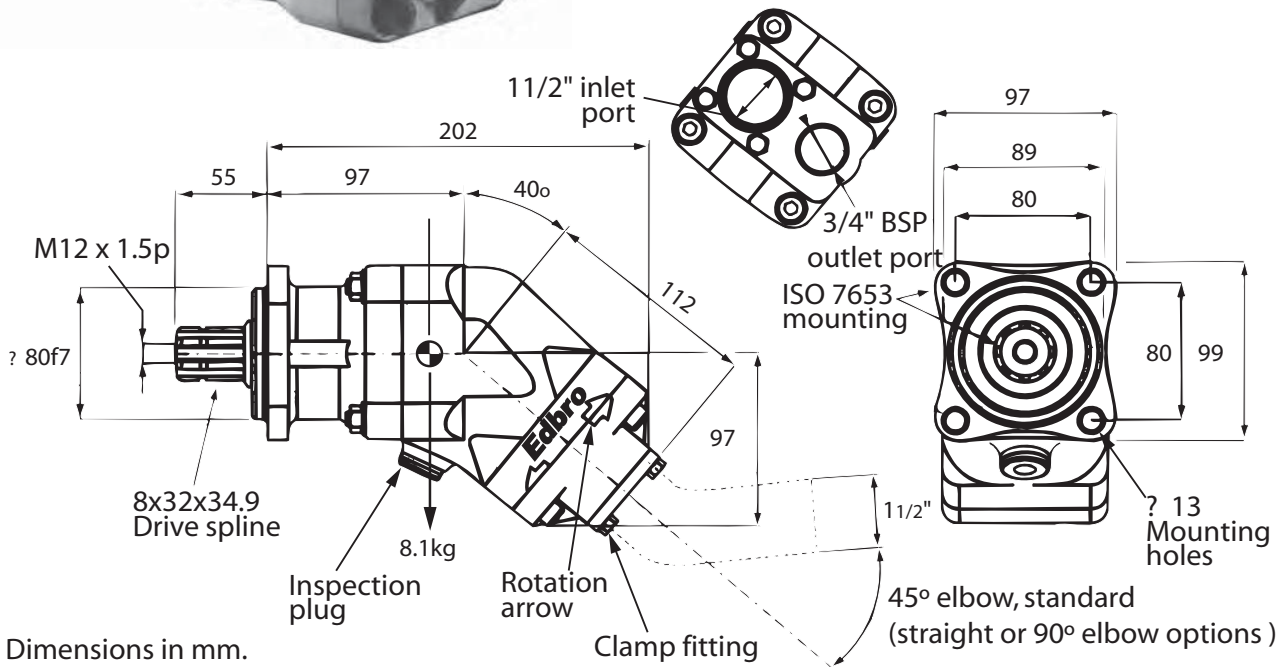
Rotate through 180° push back into place and replace the setscrews.

Unless specially requested, ANTI-CLOCKWISE configuration will be supplied.

**Bent Axis Piston Pump: Crane Applications - EBA02540**



- 25 cm<sup>3</sup>/rev output flow
- High pressure (400 bar mwp)
- Compact size for easy installation
- Ideal for close coupled PTO mounting
- 4 - Hole ISO7653 Mounting flange
- Reversible rotation whilst installed



Dimensions in mm.

**PIPE ADAPTOR KIT OPTIONS**

Low pressure inlet adaptors	High pressure outlet adaptor options	
	3/4 inch BSP straight (NR611/42, DPP45F)	3/4 inch BSP 90° elbow (NR611/42, NR627, DPP45F)
1 1/2 inch push-on 45° elbow (NR1588)	AK53 (standard)	AK66
1 1/2 inch push-on 90° elbow (NR1589)	AK54	AK67
1 1/2 inch push-on straight (NR1612)	AK52	AK65

All dimensions are given in mm unless otherwise stated. Technical Specifications are subject to change without notice.

**Bent Axis Piston Pump: Crane Applications - EBA02540**

**PERFORMANCE**

Displacement	cm <sup>3</sup> /rev	25
Max. Working Pressure	bar	400
Max. Working Speed	rpm	2300
Max. Speed Off-Load	rpm	3000
Power	Kw	55
Weight	kg	8.1

**OIL & FILTRATION**

This pump is designed for low pressure, intermittent use, tipper systems without filtration. The oil should be a good quality hydraulic oil to ISO 6743/4 HM32 for -15° to +27°C working temperature.

For extended life or for higher duty applications, 25µm absolute return line filtration is recommended.

Oil cleanliness to be maintained to ISO 4406 class 19/16.

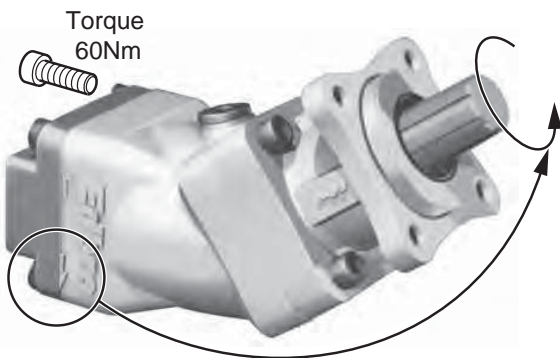
Oil should be replaced annually.

**PIPES**

Size: Suction 1 1/2 inch minimum  
Pressure 3/4 inch minimum

The suction pipe must be able to withstand -12psi (-0.8bar) pressure.

Pipe runs should be direct and short, with no kinks.



**ROTATION DIRECTION**

The rotation direction is shown by the complete arrows on the pump casing, and is specified as clockwise (right hand rotation) or anti-clockwise (left hand rotation), when viewed looking toward the pump along the splined shaft.

To change the rotation direction, remove the 4 setscrews and lift the end cover by a few mm.

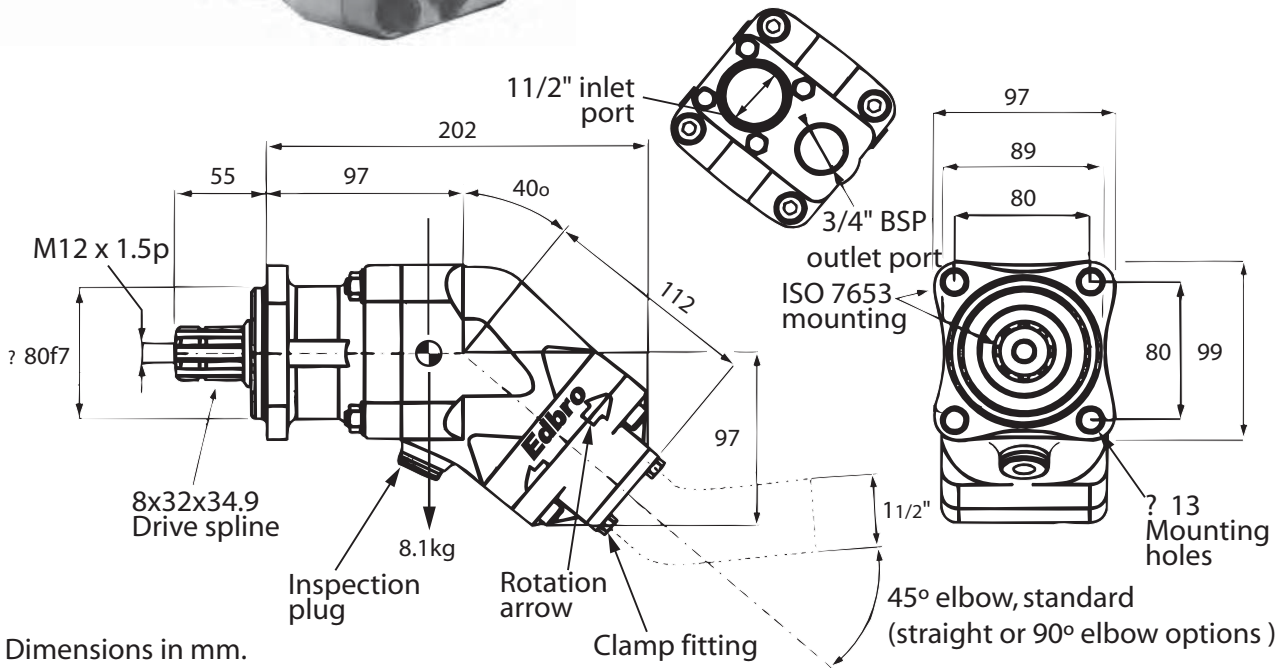
Rotate through 180° push back into place and replace the setscrews.

Unless specially requested, ANTI-CLOCKWISE configuration will be supplied.

**Bent Axis Piston Pump: Crane Applications - EBA03440**



- 34 cm<sup>3</sup>/rev output flow
- High pressure (400 bar mwp)
- Compact size for easy installation
- Ideal for close coupled PTO mounting
- 4 - Hole ISO7653 Mounting flange
- Reversible rotation whilst installed



**PIPE ADAPTOR KIT OPTIONS**

Low pressure inlet adaptors	High pressure outlet adaptor options	
	3/4 inch BSP straight (NR611/42, DPP45F)	3/4 inch BSP 90° elbow (NR611/42, NR627, DPP45F)
1 1/2 inch push-on 45° elbow (NR1588)	AK53 (standard)	AK66
1 1/2 inch push-on 90° elbow (NR1589)	AK54	AK67
1 1/2 inch push-on straight (NR1612)	AK52	AK65

All dimensions are given in mm unless otherwise stated. Technical Specifications are subject to change without notice.

**Bent Axis Piston Pump: Crane Applications - EBA03440**

**PERFORMANCE**

Displacement	cm <sup>3</sup> /rev	34
Max. Working Pressure	bar	400
Max. Working Speed	rpm	2300
Max. Speed Off-Load	rpm	3000
Power	Kw	55
Weight	kg	8.1

**OIL & FILTRATION**

This pump is designed for low pressure, intermittent use, tipper systems without filtration.

The oil should be a good quality hydraulic oil to ISO 6743/4 HM32 for -15° to +27°C working temperature.

For extended life or for higher duty applications, 25µm absolute return line filtration is recommended.

Oil cleanliness to be maintained to ISO 4406 class 19/16.

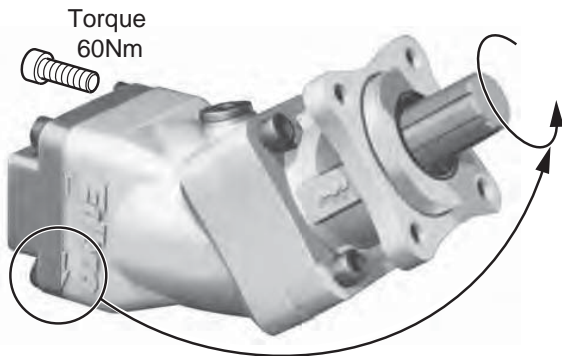
Oil should be replaced annually.

**PIPES**

Size: Suction 1 1/2 inch minimum  
Pressure 3/4 inch minimum

The suction pipe must be able to withstand -12psi (-0.8bar) pressure.

Pipe runs should be direct and short, with no kinks.



**ROTATION DIRECTION**

The rotation direction is shown by the complete arrows on the pump casing, and is specified as clockwise (right hand rotation) or anti-clockwise (left hand rotation), when viewed looking toward the pump along the splined shaft.

To change the rotation direction, remove the 4 setscrews and lift the end cover by a few mm.

Rotate through 180° push back into place and replace the setscrews.

Unless specially requested, ANTI-CLOCKWISE configuration will be supplied.





**Bent Axis Piston Pump: Crane Applications - EBA04040**

**PERFORMANCE**

Displacement	cm <sup>3</sup> /rev	41.2
Max. Working Pressure	bar	400
Max. Working Speed	rpm	1900
Max.Speed Off-Load	rpm	2500
Power	kW	52
Weight	kg	11.7

**OIL & FILTRATION**

This pump is designed for low pressure, intermittent use, tipper systems without filtration. The oil should be a good quality hydraulic oil to ISO 6743/4 HM32 for -15° to +27°C working temperature.

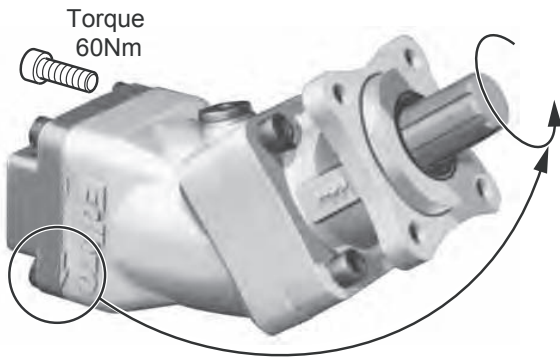
For extended life or for higher duty applications, 25µm absolute return line filtration is recommended. Oil cleanliness to be maintained to ISO 4406 class 19/16. Oil should be replaced annually.

**PIPES**

Size: Suction 1 1/2 inch minimum  
Pressure 3/4 inch minimum

The suction pipe must be able to withstand -12psi (-0.8bar) pressure.

Pipe runs should be direct and short, with no kinks.



**ROTATION DIRECTION**

The rotation direction is shown by the complete arrows on the pump casing, and is specified as clockwise (right hand rotation) or anti-clockwise (left hand rotation), when viewed looking toward the pump along the splined shaft.

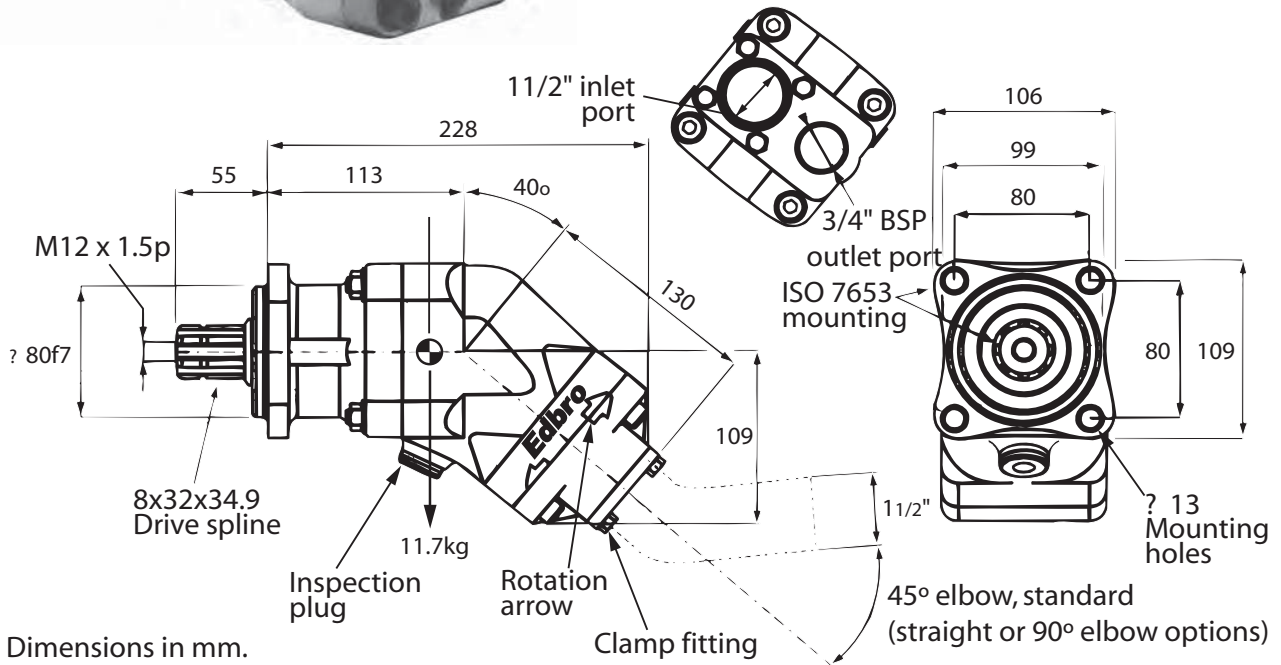
To change the rotation direction, remove the 4 setscrews and lift the end cover by a few mm. Rotate through 180° push back into place and replace the setscrews.

Unless specially requested, ANTI-CLOCKWISE configuration will be supplied.

**Bent Axis Piston Pump: Crane Applications - EBA04740**



- 47 cm<sup>3</sup>/rev output flow
- High pressure (400 bar mwp)
- Compact size for easy installation
- Ideal for close coupled PTO mounting
- 4 - Hole ISO7653 Mounting flange
- Reversible rotation whilst installed



**PIPE ADAPTOR KIT OPTIONS**

Low pressure inlet adaptors	High pressure outlet adaptor options	
	3/4 inch BSP straight (NR611/42, DPP45F)	3/4 inch BSP 90° elbow (NR611/42, NR627, DPP45F)
11/2 inch push-on 45° elbow (NR1588)	AK53 (standard)	AK66
11/2 inch push-on 90° elbow (NR1589)	AK54	AK67
11/2 inch push-on straight (NR1612)	AK52	AK65

All dimensions are given in mm unless otherwise stated. Technical Specifications are subject to change without notice.

**Bent Axis Piston Pump: Crane Applications - EBA04740**

**PERFORMANCE**

Displacement	cm <sup>3</sup> /rev	47
Max. Working Pressure	bar	400
Max. Working Speed	rpm	1900
Max.Speed Off-Load	rpm	2500
Power	Kw	55
Weight	kg	11.7

**OIL & FILTRATION**

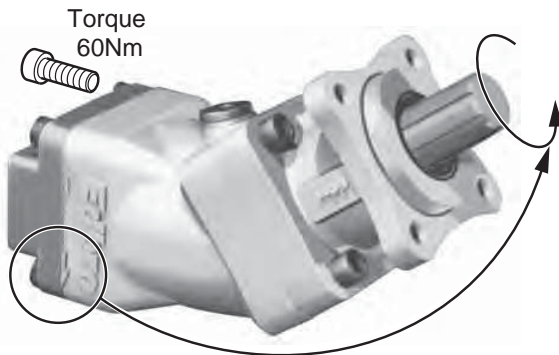
This pump is designed for low pressure, intermittent use, tipper systems without filtration. The oil should be a good quality hydraulic oil to ISO 6743/4 HM32 for -15° to +27°C working temperature.

For extended life or for higher duty applications, 25µm absolute return line filtration is recommended. Oil cleanliness to be maintained to ISO 4406 class 19/16. Oil should be replaced annually.

**PIPES**

Size: Suction 1 1/2 inch minimum  
Pressure 3/4 inch minimum

The suction pipe must be able to withstand -12psi (-0.8bar) pressure. Pipe runs should be direct and short, with no kinks.



**ROTATION DIRECTION**

The rotation direction is shown by the complete arrows on the pump casing, and is specified as clockwise (right hand rotation) or anti-clockwise (left hand rotation), when viewed looking toward the pump along the splined shaft. To change the rotation direction, remove the 4 setscrews and lift the end cover by a few mm. Rotate through 180° push back into place and replace the setscrews. Unless specially requested, ANTI-CLOCKWISE configuration will be supplied.





**Bent Axis Piston Pump: Crane Applications - EBA06440**

**PERFORMANCE**

Displacement	cm <sup>3</sup> /rev	64
Max. Working Pressure	bar	400
Max. Working Speed	rpm	1900
Max.Speed Off-Load	rpm	2500
Power	Kw	55
Weight	kg	11.7

**OIL & FILTRATION**

This pump is designed for low pressure, intermittent use, tipper systems without filtration. The oil should be a good quality hydraulic oil to ISO 6743/4 HM32 for -15° to +27°C working temperature.

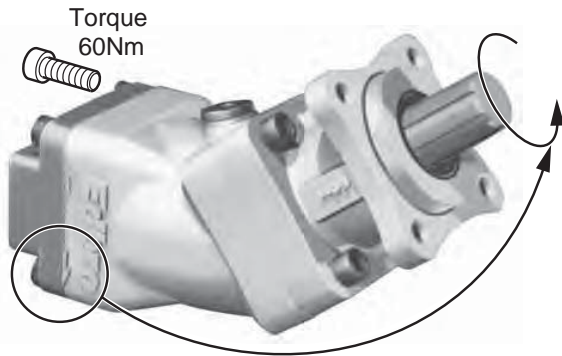
For extended life or for higher duty applications, 25µm absolute return line filtration is recommended. Oil cleanliness to be maintained to ISO 4406 class 19/16. Oil should be replaced annually.

**PIPES**

Size: Suction 1 1/2 inch minimum  
Pressure 3/4 inch minimum

The suction pipe must be able to withstand -12psi (-0.8bar) pressure.

Pipe runs should be direct and short, with no kinks.



**ROTATION DIRECTION**

The rotation direction is shown by the complete arrows on the pump casing, and is specified as clockwise (right hand rotation) or anti-clockwise (left hand rotation), when viewed looking toward the pump along the splined shaft.

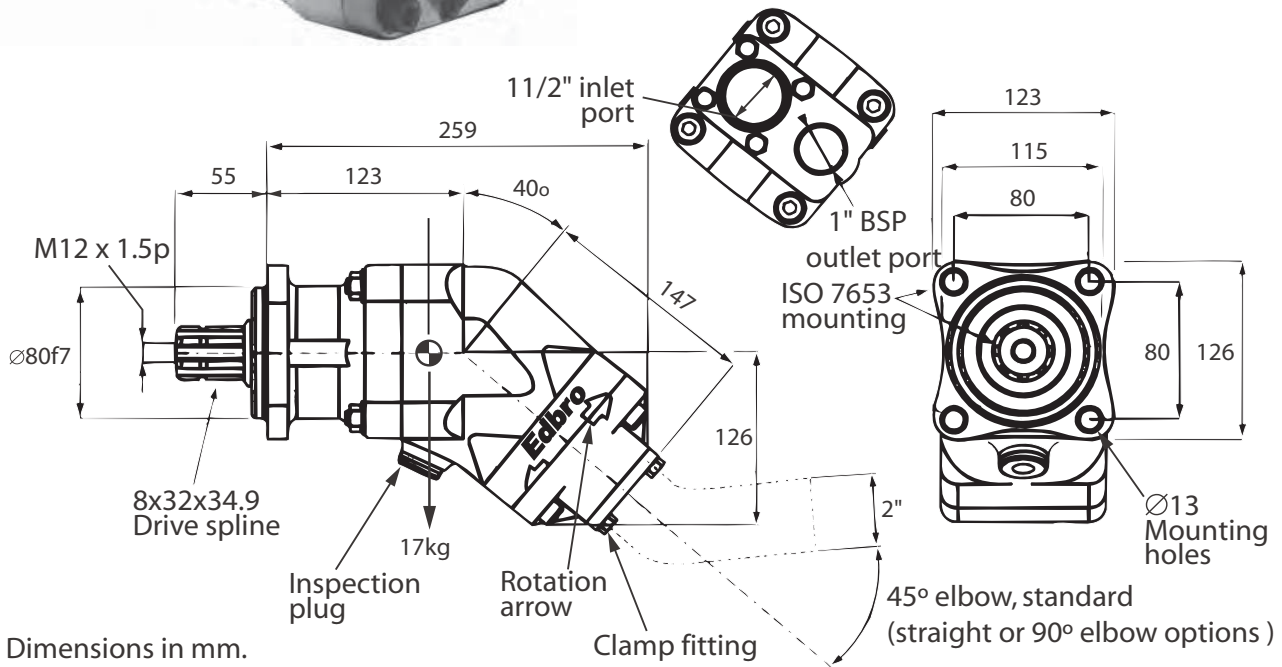
To change the rotation direction, remove the 4 setscrews and lift the end cover by a few mm. Rotate through 180° push back into place and replace the setscrews.

Unless specially requested, ANTI-CLOCKWISE configuration will be supplied.

**Bent Axis Piston Pump: Crane Applications - EBA08440**



- 84 cm<sup>3</sup>/rev output flow
- High pressure (400 bar mwp)
- Compact size for easy installation
- Ideal for close coupled PTO mounting
- 4 - Hole ISO7653 Mounting flange
- Reversible rotation whilst installed



Dimensions in mm.

**PIPE ADAPTOR KIT OPTIONS**

Low pressure inlet adaptors	High pressure outlet adaptor options	
	1 inch BSP straight (NR611/22, DPP45H)	1 inch BSP 90° elbow (NR611/24, NR634, DPP45H)
2 inch push-on 45° elbow (NR1608)	AK59 (standard)	AK72
2 inch push-on 90° elbow (NR1605)	AK60	AK73
2 inch push-on straight (NR1615)	AK58	AK71

All dimensions are given in mm unless otherwise stated. Technical Specifications are subject to change without notice.

**Bent Axis Piston Pump: Crane Applications - EBA08440**

**PERFORMANCE**

Displacement	cm <sup>3</sup> /rev	84
Max. Working Pressure	bar	400
Max. Working Speed	rpm	1500
Max.Speed Off-Load	rpm	2000
Power	Kw	55
Weight	kg	17

**OIL & FILTRATION**

This pump is designed for low pressure, intermittent use, tipper systems without filtration. The oil should be a good quality hydraulic oil to ISO 6743/4 HM32 for -15° to +27°C working temperature.

For extended life or for higher duty applications, 25µm absolute return line filtration is recommended.

Oil cleanliness to be maintained to ISO 4406 class 19/16.

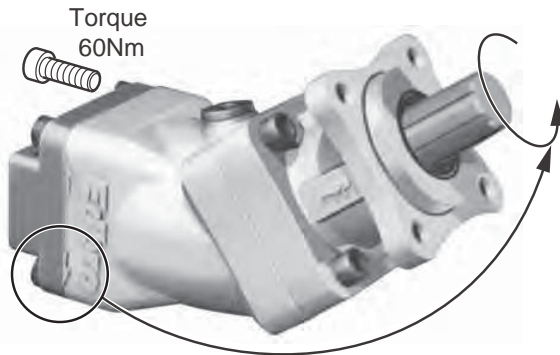
Oil should be replaced annually.

**PIPES**

Size: Suction 1 1/2 inch minimum  
Pressure 3/4 inch minimum

The suction pipe must be able to withstand -12psi (-0.8bar) pressure.

Pipe runs should be direct and short, with no kinks.



**ROTATION DIRECTION**

The rotation direction is shown by the complete arrows on the pump casing, and is specified as clockwise (right hand rotation) or anti-clockwise (left hand rotation), when viewed looking toward the pump along the splined shaft.

To change the rotation direction, remove the 4 setscrews and lift the end cover by a few mm.

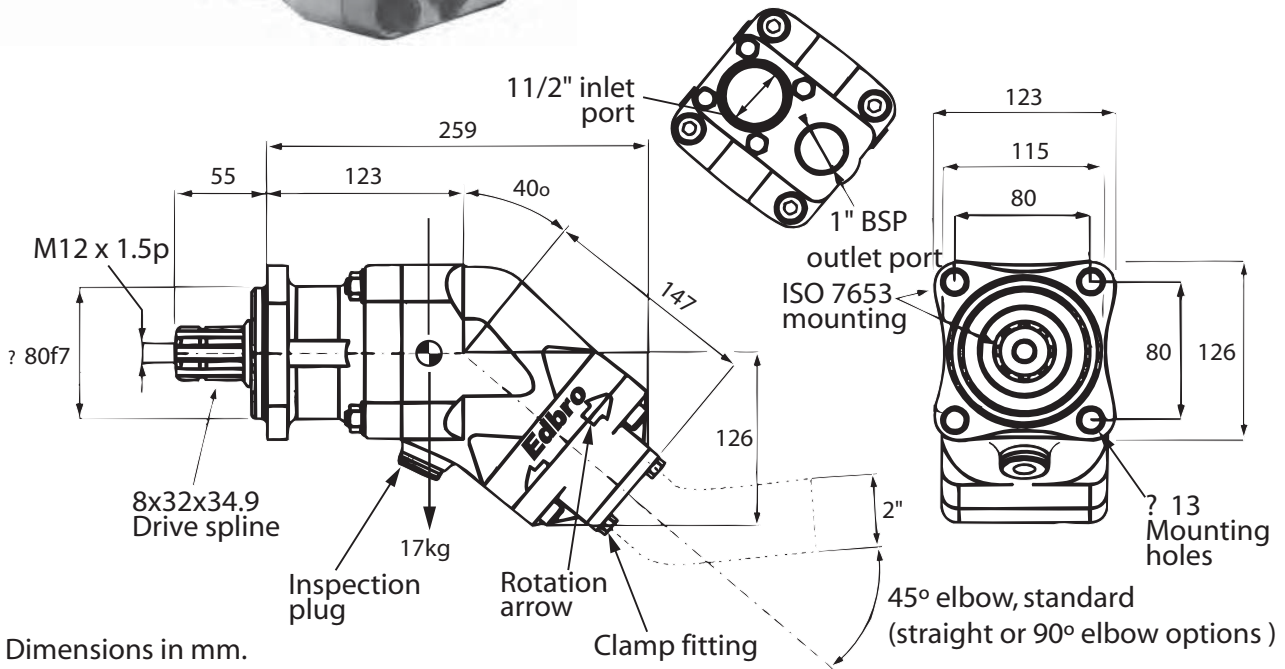
Rotate through 180° push back into place and replace the setscrews.

Unless specially requested, ANTI-CLOCKWISE configuration will be supplied.

**Bent Axis Piston Pump: Crane Applications - EBA10840**



- 108 cm<sup>3</sup>/rev output flow
- High pressure (400 bar mwp)
- Compact size for easy installation
- Ideal for close coupled PTO mounting
- 4 - Hole ISO7653 Mounting flange
- Reversible rotation whilst installed



Dimensions in mm.

**PIPE ADAPTOR KIT OPTIONS**

Low pressure inlet adaptors	High pressure outlet adaptor options	
	1 inch BSP straight (NR611/22, DPP45H)	1 inch BSP 90° elbow (NR611/24, NR634, DPP45H)
2 inch push-on 45° elbow (NR1608)	AK59 (standard)	AK72
2 inch push-on 90° elbow (NR1605)	AK60	AK73
2 inch push-on straight (NR1615)	AK58	AK71

All dimensions are given in mm unless otherwise stated. Technical Specifications are subject to change without notice.

**Bent Axis Piston Pump: Crane Applications - EBA10840**

**PERFORMANCE**

Displacement	cm <sup>3</sup> /rev	108
Max. Working Pressure	bar	400
Max. Working Speed	rpm	1500
Max.Speed Off-Load	rpm	2000
Power	Kw	55
Weight	kg	17

**OIL & FILTRATION**

This pump is designed for low pressure, intermittent use, tipper systems without filtration. The oil should be a good quality hydraulic oil to ISO 6743/4 HM32 for -15° to +27°C working temperature.

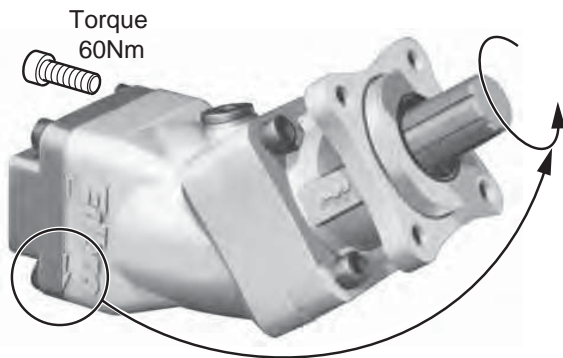
For extended life or for higher duty applications, 25µm absolute return line filtration is recommended. Oil cleanliness to be maintained to ISO 4406 class 19/16. Oil should be replaced annually.

**PIPES**

Size: Suction 1½ inch minimum  
Pressure ¾ inch minimum

The suction pipe must be able to withstand -12psi (-0.8bar) pressure.

Pipe runs should be direct and short, with no kinks.



**ROTATION DIRECTION**

The rotation direction is shown by the complete arrows on the pump casing, and is specified as clockwise (right hand rotation) or anti-clockwise (left hand rotation), when viewed looking toward the pump along the splined shaft.

To change the rotation direction, remove the 4 setscrews and lift the end cover by a few mm.

Rotate through 180° push back into place and replace the setscrews.

Unless specially requested, ANTI-CLOCKWISE configuration will be supplied.