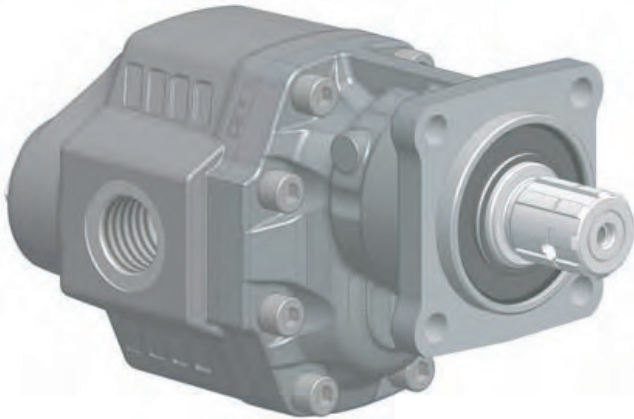
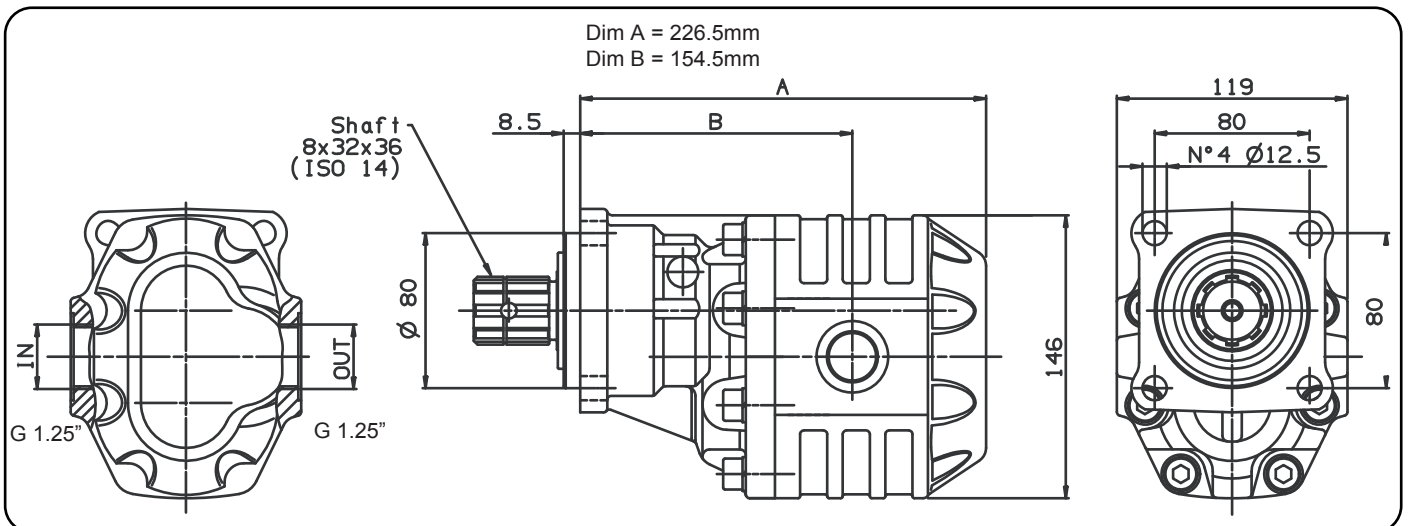


Gear Pump : EGP100220R



- 100cm³/rev output flow
- Medium pressure (220 bar mwp)
- Compact size for easy installation
- Weight - 15.8kg
- Ideal for close coupled PTO mounting
- 4 - Hole ISO7653 Mounting flange
- Bronze thrust plates for maximum durability
- Bi-directional Pump



Refer to HP to LP Fittings sheet for different size options available.

PERFORMANCE

Displacement	cm ³ /rev	100
Max. Working Pressure	bar	220
Max. Intermitent Pressure	bar	200
Min. Speed	rpm	300

Pump Maximum Speeds, in rpm:

	Suction Size	
	1.5"	2"
Continuous	1600	1800
Intermitent	2500	2700

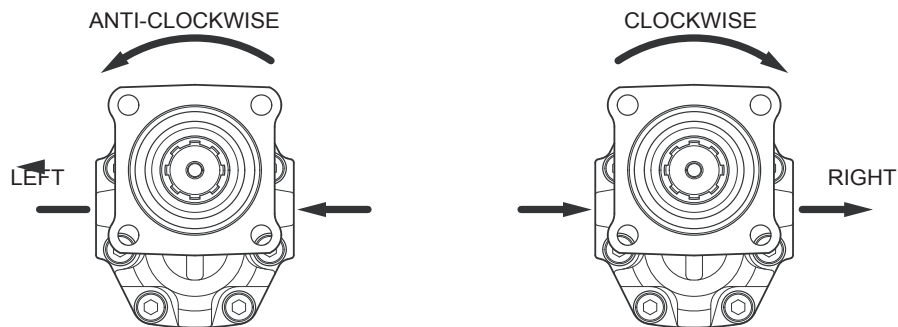
Gear Pump : EGP100220R

OIL & FILTRATION

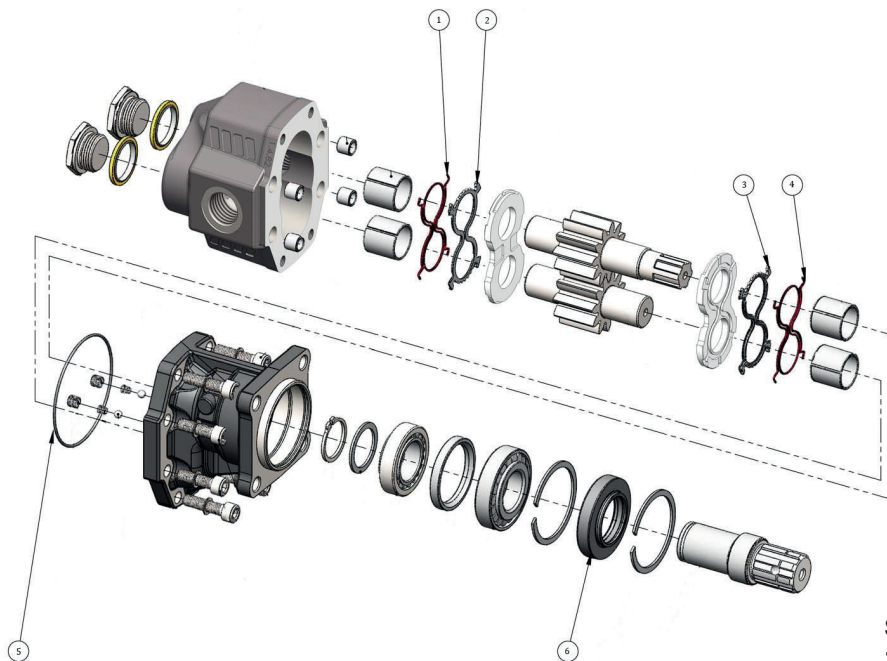
- This pump is designed for low pressure, intermittent use, tipper systems without filtration.
- The oil should be a good quality hydraulic oil to ISO 6743/4 HM32 for -15° to +27°C working temperature.
- For extended life or for higher duty applications, 25µm absolute return line filtration is recommended.
- Oil cleanliness to be maintained to ISO 4406 class 19/16.
- Oil should be replaced annually.

PUMP ROTATION

(view from PTO end)



SPARE PARTS



Seal Kit - Part no:
1059000357