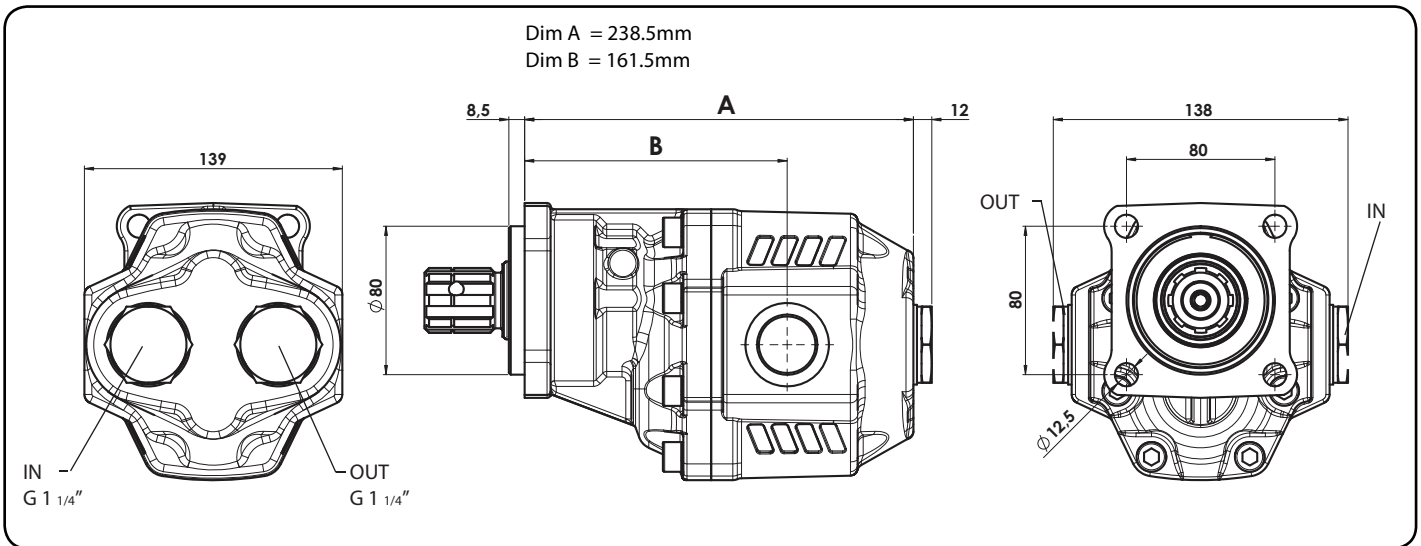


## Gear Pump : EGP112225R



- 112 cm<sup>3</sup>/rev output flow
- Medium pressure ( 240 bar mwp)
- Compact size for easy installation
- Weight - 20kg
- Ideal for close coupled PTO mounting
- 4 - Hole ISO7653 mounting flange
- Bronze thrust plates for maximum durability
- Bi-directional



Refer to HP to LP Fitting sheet for different size options available.

### PERFORMANCE

Displacement	cm <sup>3</sup> /rev	112
Max. Working Pressure	bar	240
Max. Intermitent Pressure	bar	225
Min. Speed	rpm	300

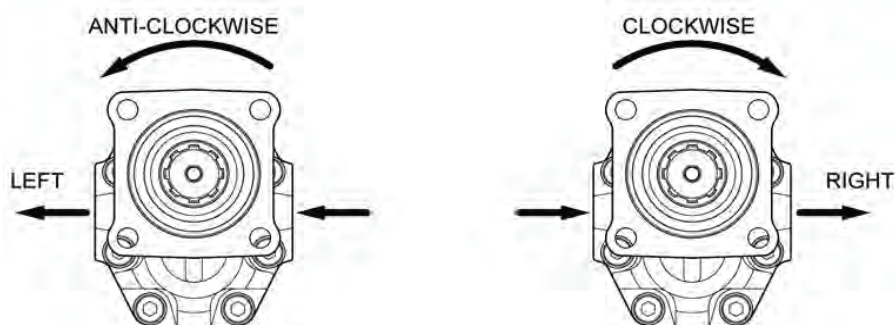
### Pump Maximum Speeds, in rpm:

	Suction Size	
	1.5"	2"
Continuous	1300	1500
Intermitent	2300	2500

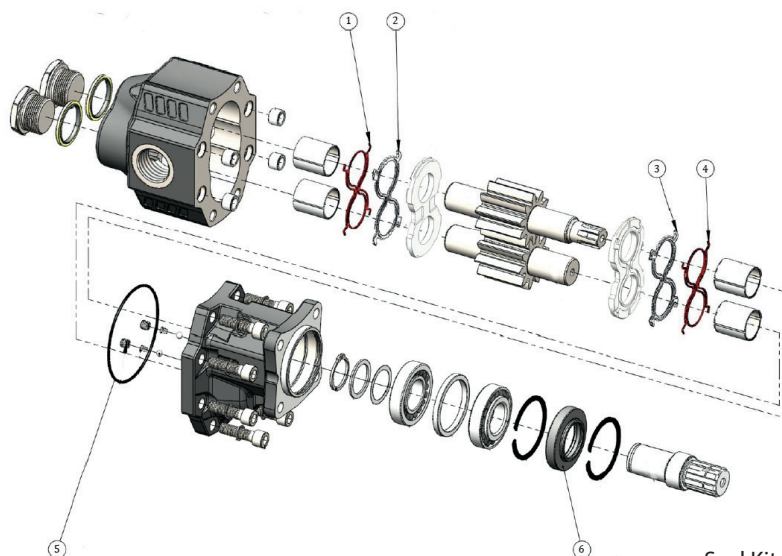
## OIL & FILTRATION

- This pump is designed for low pressure, intermittent use tipping systems without filtration.
- The oil should be a good quality hydraulic oil to ISO 6743/4 HM32 for  $-15^{\circ}$  to  $+27^{\circ}\text{C}$  working temperature.
- For extended life or for higher duty applications,  $25\ \mu\text{m}$  absolute return line filtration is recommended.
- Oil cleanliness is maintained to ISO 4406 class 19/16.
- Oil should be replaced annually.

## PUMP ROTATION



## SPARE PARTS



art no:

Seal Kit - P  
10590000464