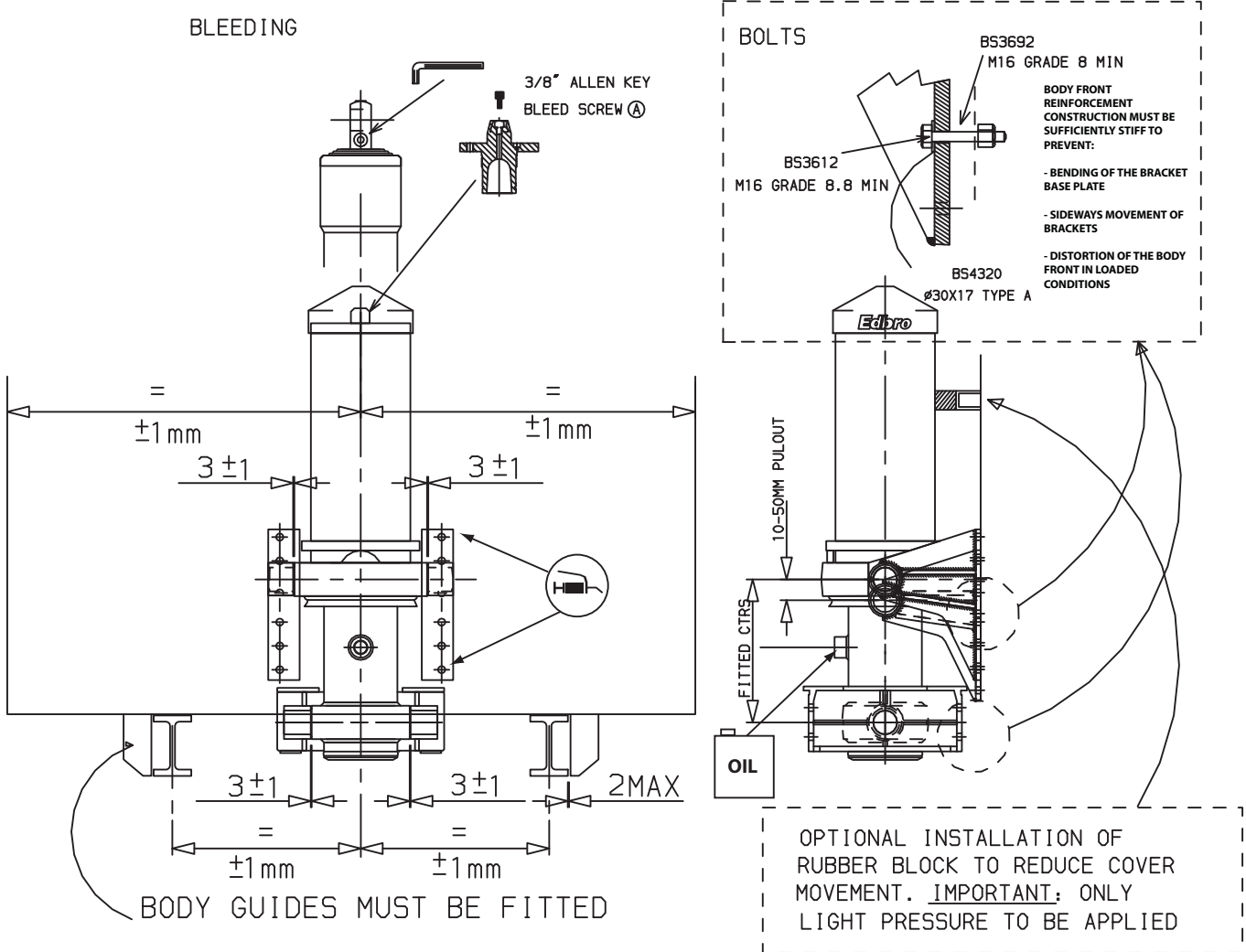


C Series Installation Guide - INSTALL01



Pressure (Refer to cylinder serial number plate)

MODEL:

SERIALNo:

MAXIMUM-PRESSURE-WORKING (BAR) - (1)

Set pressure relief valve to working pressure (1).

Edbro
www.edbro.co.uk

- Cylinder Bleeding Procedure**
- * Lift body approx 300 mm
 - * Loosen bleed screw (A)
 - * **Take care!** Body will lower
 - * Allow air to escape
 - * Tighten when oil flows
 - * Lift body to full tip
 - * Lower & repeat

Recommended Torques

	Grade 8.8	Grade 10.9
M10	56Nm	77Nm
M12	98Nm	134Nm
M16	240Nm	332Nm

Retorque all bolts monthly

Oil/Grease

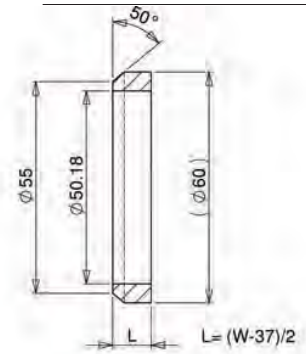
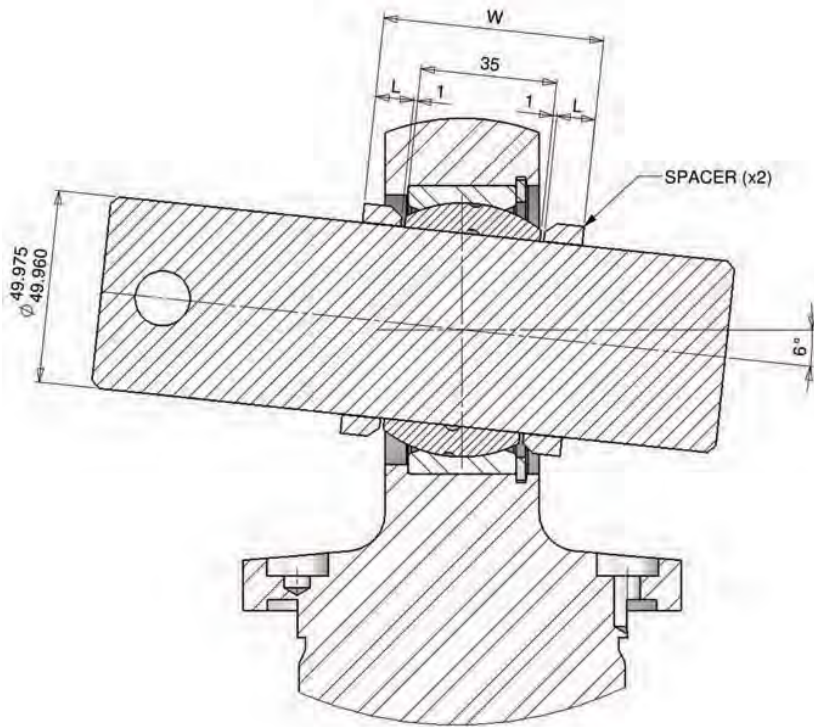
Oil Port

Grease (1/8" BSP)

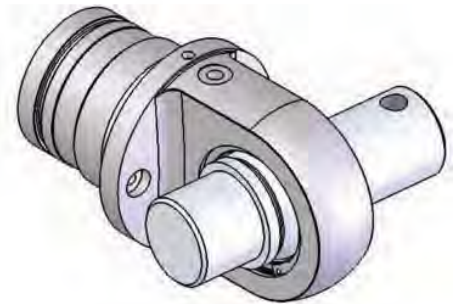
See oil specification OIL01

All dimensions are given in mm unless otherwise stated. Technical Specifications are subject to change without notice.

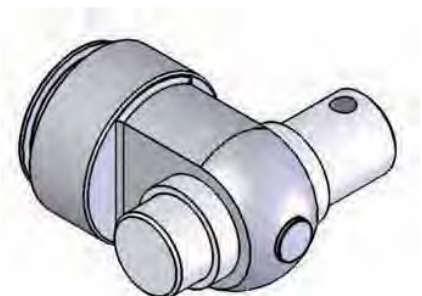
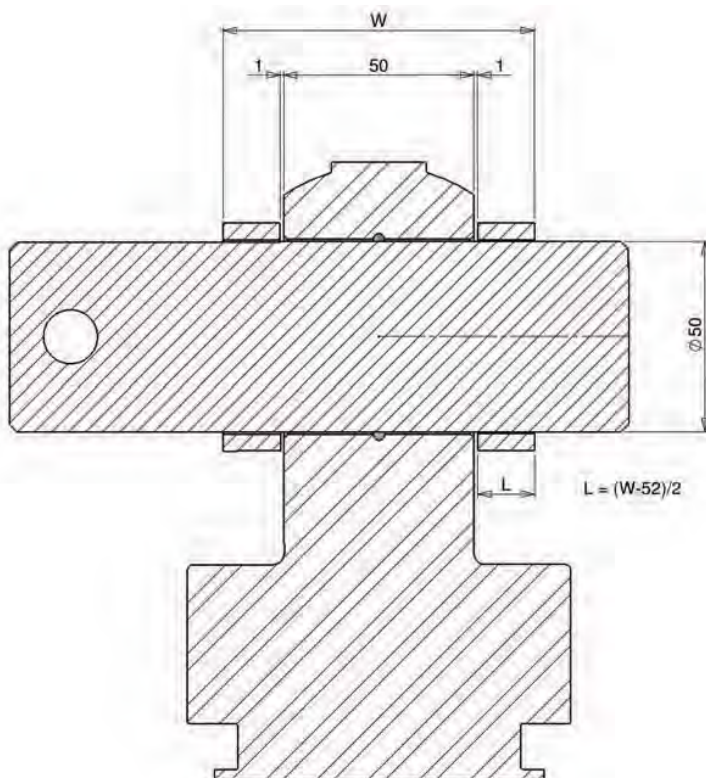
C Series Eye Type Installation Guide - INSTALL01



SPACER DETAIL
SCALE 1:1



WHERE W = BRACKET WIDTH



All dimensions are given in mm unless otherwise stated. Technical Specifications are subject to change without notice.