

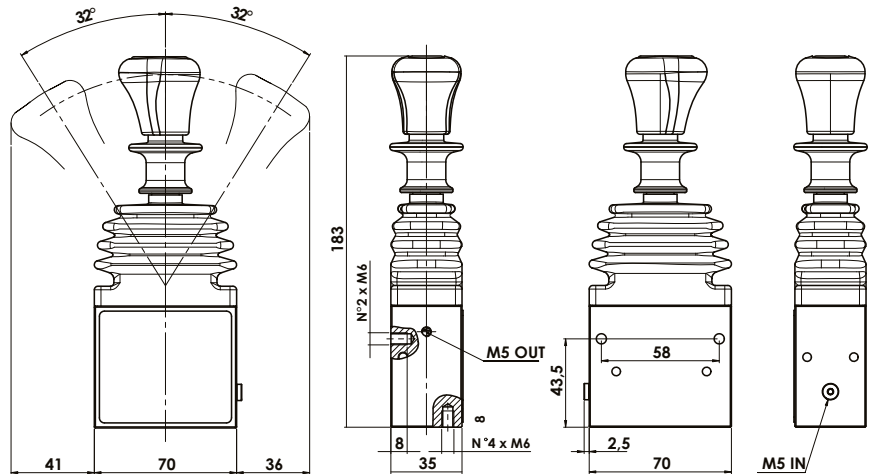
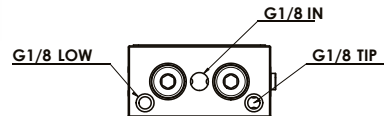
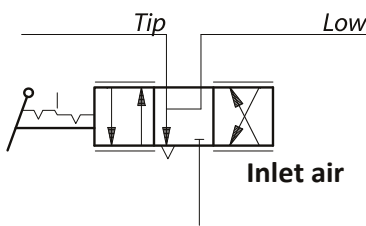
Pneumatic Proportional Control Switch - OB-A3



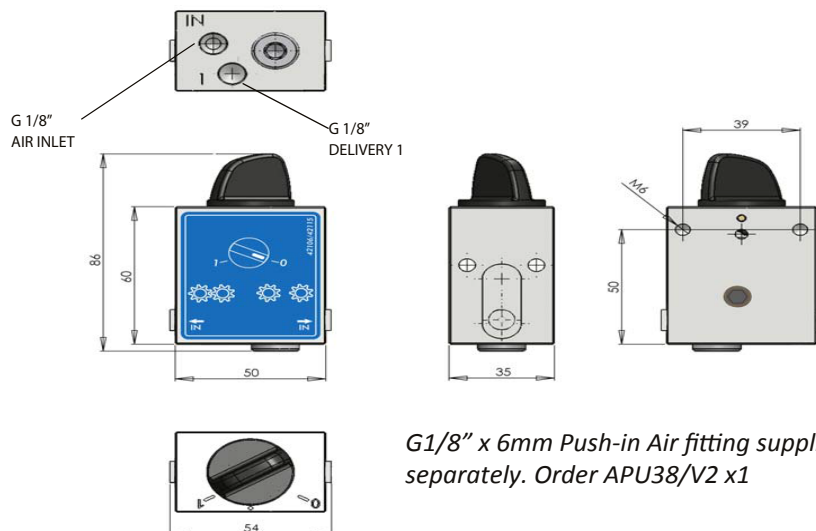
- OB-A3**
- Compact Size
 - Fully proportional
 - Auxillary switch available - Part No: OB-A3-NA
 - G1/8" x 6mm Push-in Air fitting supplied separately order AF38/V2 x3

Lever Return	Pressure values		Temperature	
	Min. Bar	Max. Bar	Min.	Max.
Manual (lockable in tip and lower - Non CE approved version)	5	12	-30	+80

Functional diagram



OB-A3-NA (3 way & 2 position pneumatic controls with rear ports)



G1/8" x 6mm Push-in Air fitting supplied separately. Order APU38/V2 x1

All dimensions are given in mm unless otherwise stated. Technical Specifications are subject to change without notice.