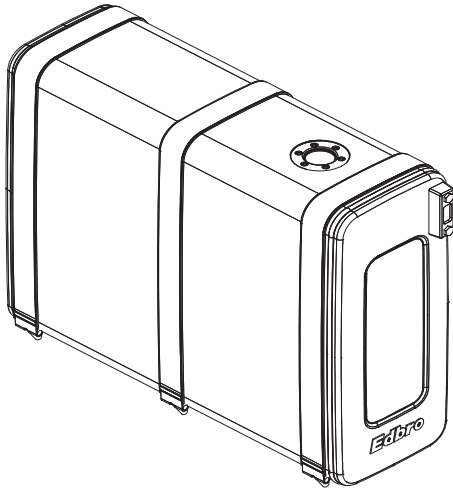


Aluminium Oil Tank: Rear Mount for Rigid Trucks - OTA604



- * Aluminium rear mount oil tank
- * Suitable for rigid truck chassis
- * Useable capacity - 75 litres
- * Weight - 20.4kg

