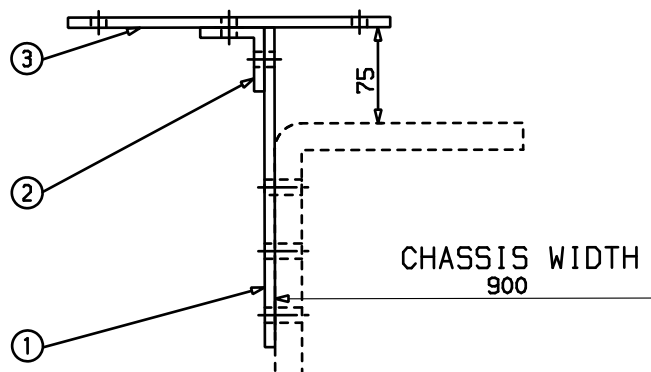
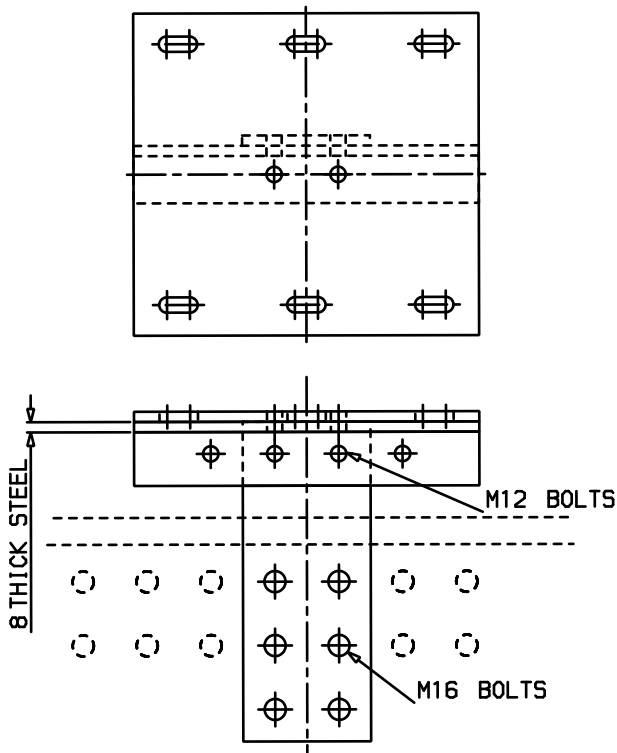


Oil Tank Bracket : OTB279

- * Steel rear mounted bracket for Steel and Aluminum tanks
- * Fitted to chassis
- * Parts supplied together as kit
- * Painted grey to match chassis colour
- * Bolts not supplied in kit
- * Weight - 10kg

OTB279 Kit List

	Part No.	Description	Quantity
1	SP4235	BASE STEEL PLATE	2
2	BSP779	STEEL ANGLE	2
3	SP4236	TOP STEEL PLATE	2



All dimensions are given in mm unless otherwise stated. Technical Specifications are subject to change without notice.