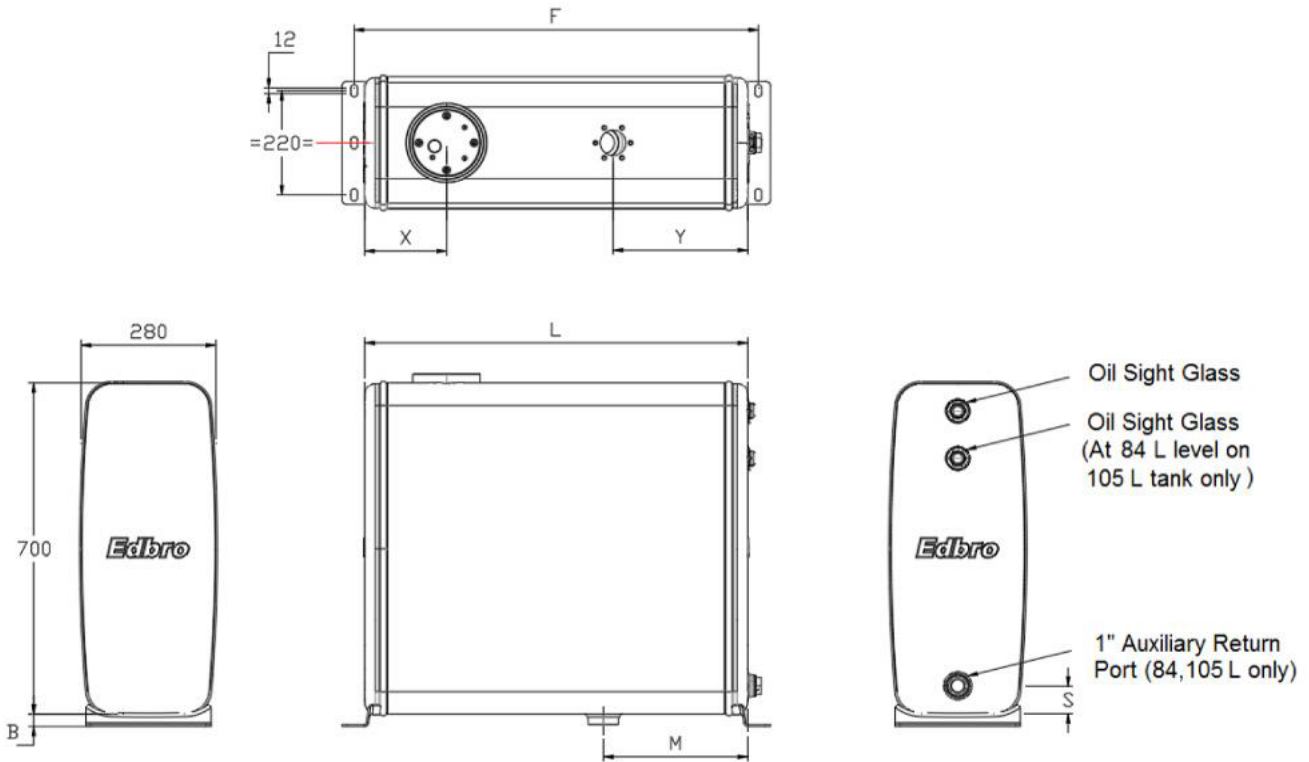


Oil Tanks: Rear Mount Rigid Chassis



Features

1.5" BSP Feed port at bottom of tank
 1" Auxillary return ports on 84 and 105 L tanks
 Compatible with Edbro UT200 and CT200 valves
 Integral stainless steel return filter 60µ included

Finishes in chassis grey superior primer
 Pressure tested
 Oil level sight glass*
 Internally cleaned

Part Number	Dimensions (mm)							Total capacity (litres)	Useable capacity (litres)	Material	Integral Filter	Mass (kg)
	B	F	L	X	Y	S	M					
<i>TANKS AVAILABLE EX-STOCK</i>												
OT735F/65/02	64	430	500	155	115	N/A	140	70	65	Steel	Yes	25
OT736F/84/01	26	630	586	170	180	60	220	100	84	Steel	Yes	30
OT738F/105/01	26	880	796	170	280	60	300	130	105	Steel	Yes	35

Additional required parts: (not supplied with oil tank)
 AF97 oil filler breather (*add 65mm to H dimension for filler cap).
 1 x TMK3 tank washer kit required.

*Add to dimension H 20mm for valve plate, plus 80mm for valve and bolts

Tank Selection:

Select a tank that has a useable capacity greather than the swept volume of the cylinder / working volume of the application.

Tank Capacity:

Total capacity is the amount of oil to fill the tank and leave 60mm air gap above the oil. Useable capacity is calculated assuming a minimum of 100mm oil depth left at the bottom of the tank.

SPARE PARTS

Description	Part No.
Valve Plate for CT200 Valve	BP240
Gasket for Filter	FW190
M8 Stainles Steel Cap Head Screw	KS218/M8/25/SS
Filter Element and Canister Assembly	PM646
Filter Element Only Stainless Steel 60µ 200 l/min	PM647

