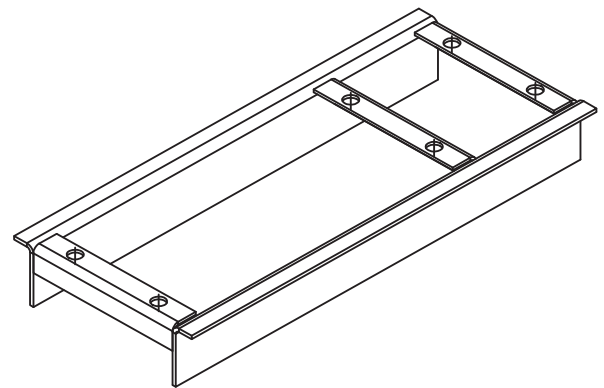
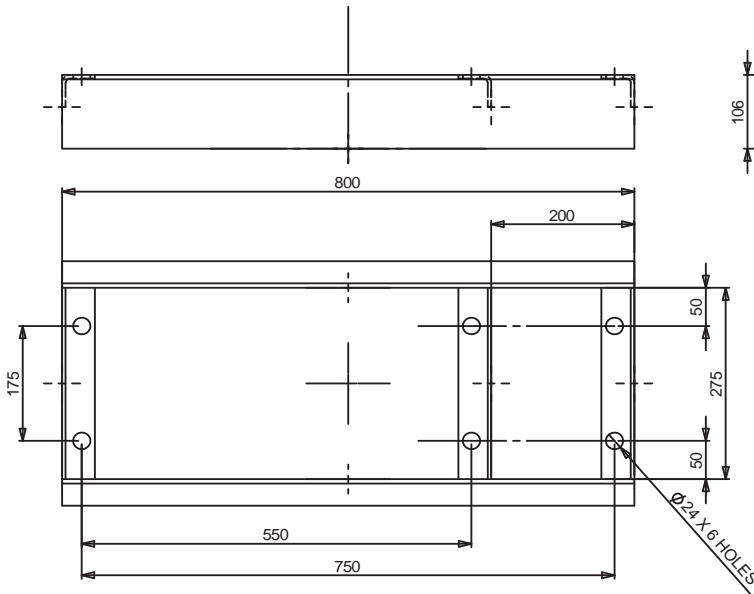


Oil Tank Support Bracket - PCA215

- * PCA215 support bracket suits PCA214 & PCA216 cross members
- * Weight: 28 kg
- * Designed to suit the following oil tanks:
 - OTA635F/65
 - OT635/65
 - OT637F/84
 - OT637/84



All dimensions are given in mm unless otherwise stated. Technical Specifications are subject to change without notice.