

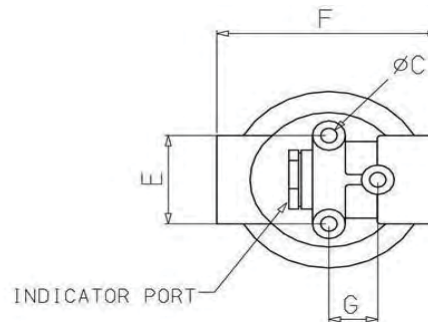
Oil Filter: for hydraulic walking floor applications - PM478

- * 10 micron nominal filtration
- * Spin on canister
- * High internal pressure capacity (30 bar)
- * With bypass and visual filter indicator



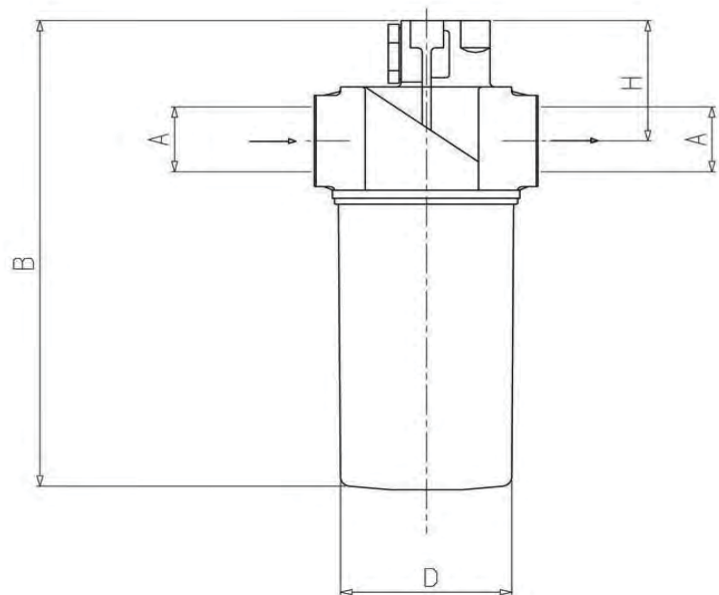
Specification:

Filter condition indicator	Visual 2 bar
Bypass valve	With bypass 2.5 bar
Filter element	Resin-impregnated paper 10 micron nominal
Seals	Nitrile (Buna - N)
Port options	1½" BSP
Flow rate	200 l/m
Max internal pressure	30 bar
Weight	2.3 kg



Dimensions: refer drawing

A	1½ BSP
B	355 mm
C	10 mm
D	127 mm
E	50 mm
F	133 mm
G	35 mm
H	72 mm



All dimensions are given in mm unless otherwise stated. Technical Specifications are subject to change without notice.