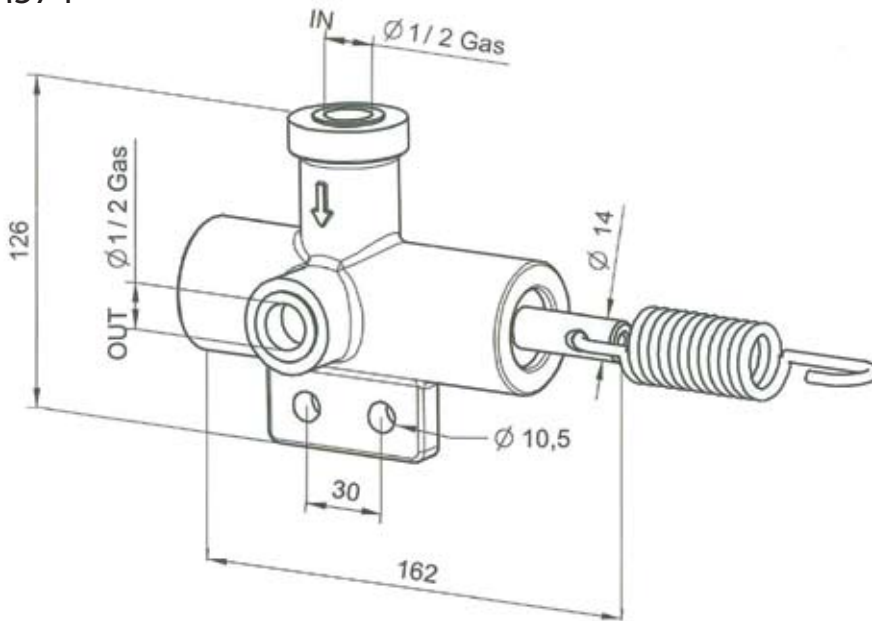


Part number	Max flow (l/min)	Max pressure (bar)	Weight (kg)
PM574	100	400	1.8
PM575	200	350	4.2

PM574



PM575

