

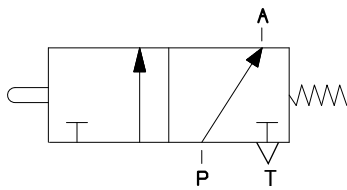
**Knock Off Valve: PM629**

The valve is designed to cut off the air flow to the tipping valve and therefore stop movement of the cylinder at the desired position.

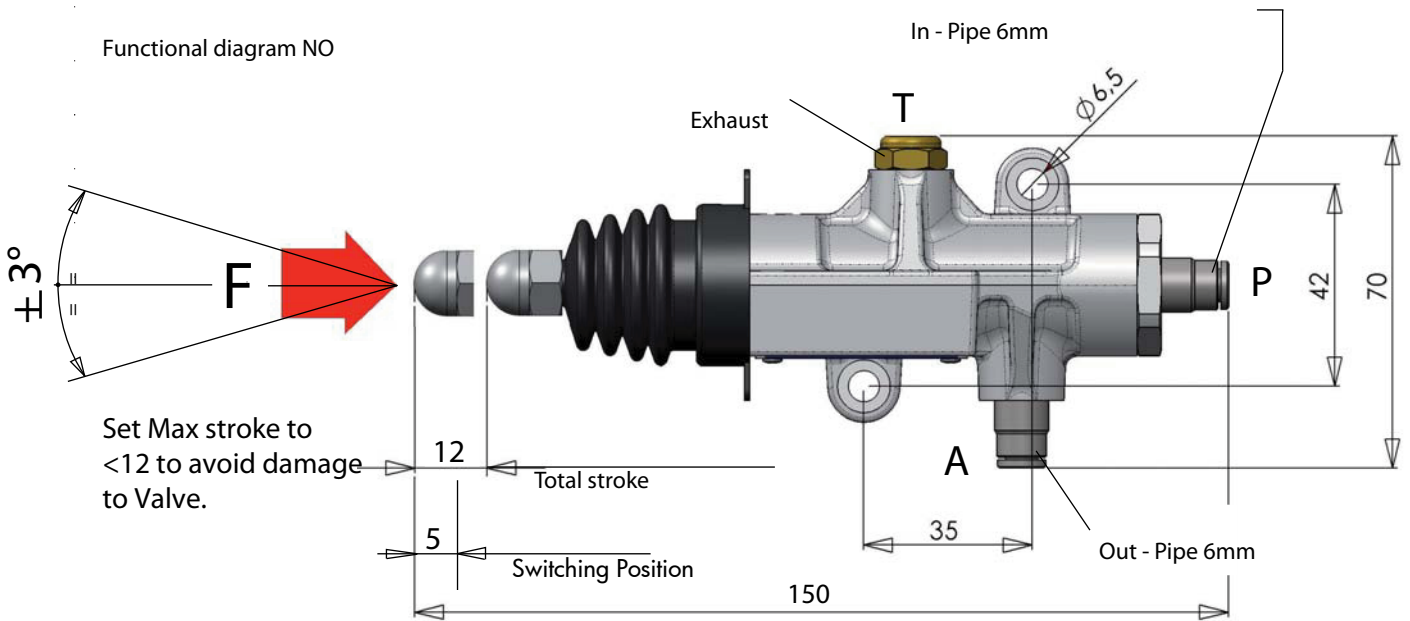
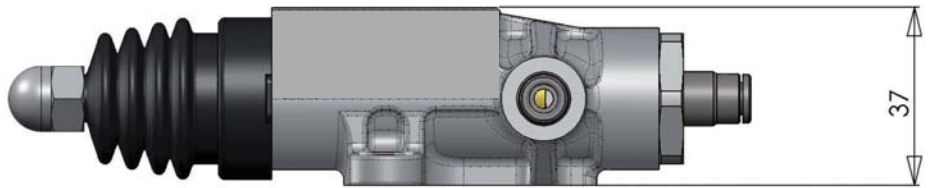
This system can be used as alternative to the end of stroke cable connected to the spool of the tipping valve.

Max. pressure: 12 bar

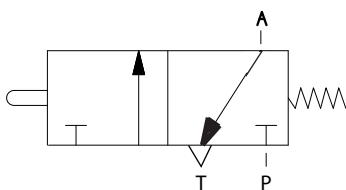
Service temperature: -40° +140°C



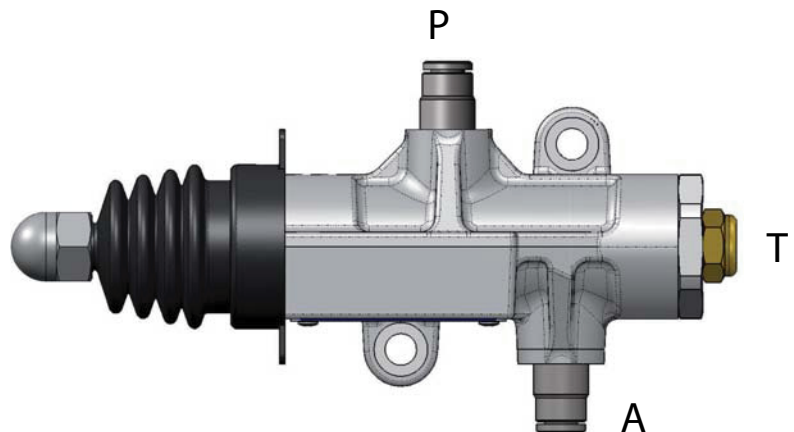
Functional diagram NO



ALTERNATIVE USE: if the air ports are inverted the switch will work as NC (Normally Closed).



Functional diagram NC



All dimensions are given in mm unless otherwise stated. Technical Specifications are subject to change without notice.