

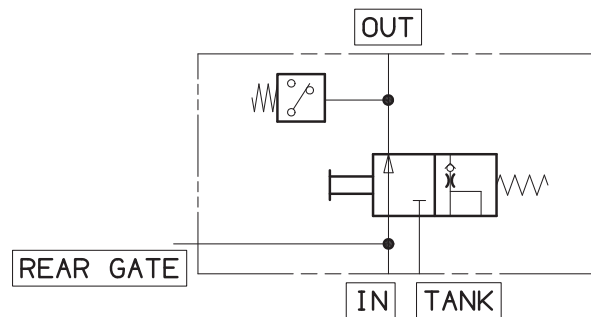
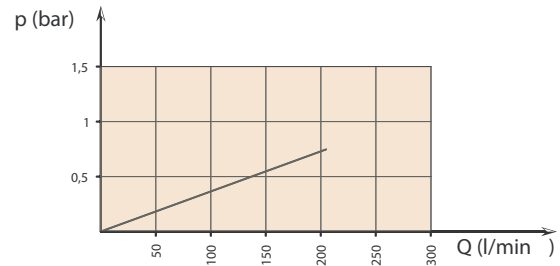
Hydraulic Knock Off Valve: PM630



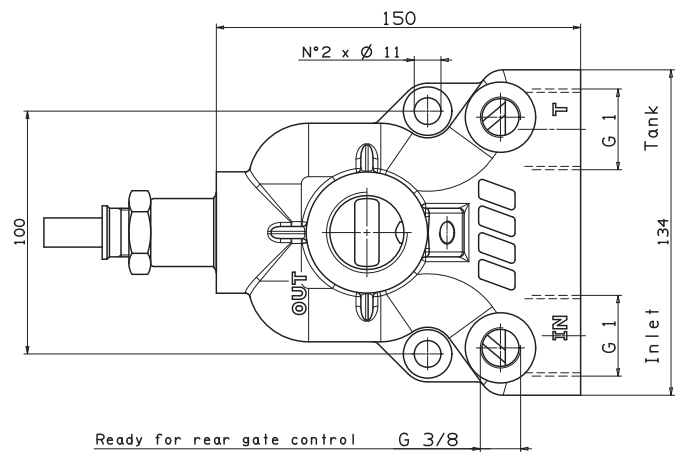
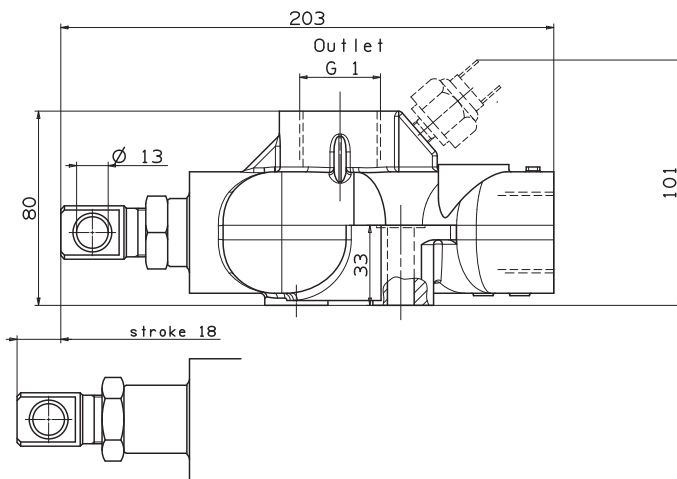
Hydraulic Knock off valve

- Flow: 200l/min
- Max pressure: 350 bar
- Weight: 4.8 kg
- Pressure switch option
- Anti-shock spring

Pressure drops



Functional diagram



Pressure switch options:

- PM481 - includes switch, rubber boot and sealing washer
- SA2924 Body raised warning kit - includes buzzer, wiring, light etc..

All dimensions are given in mm unless otherwise stated. Technical Specifications are subject to change without notice.