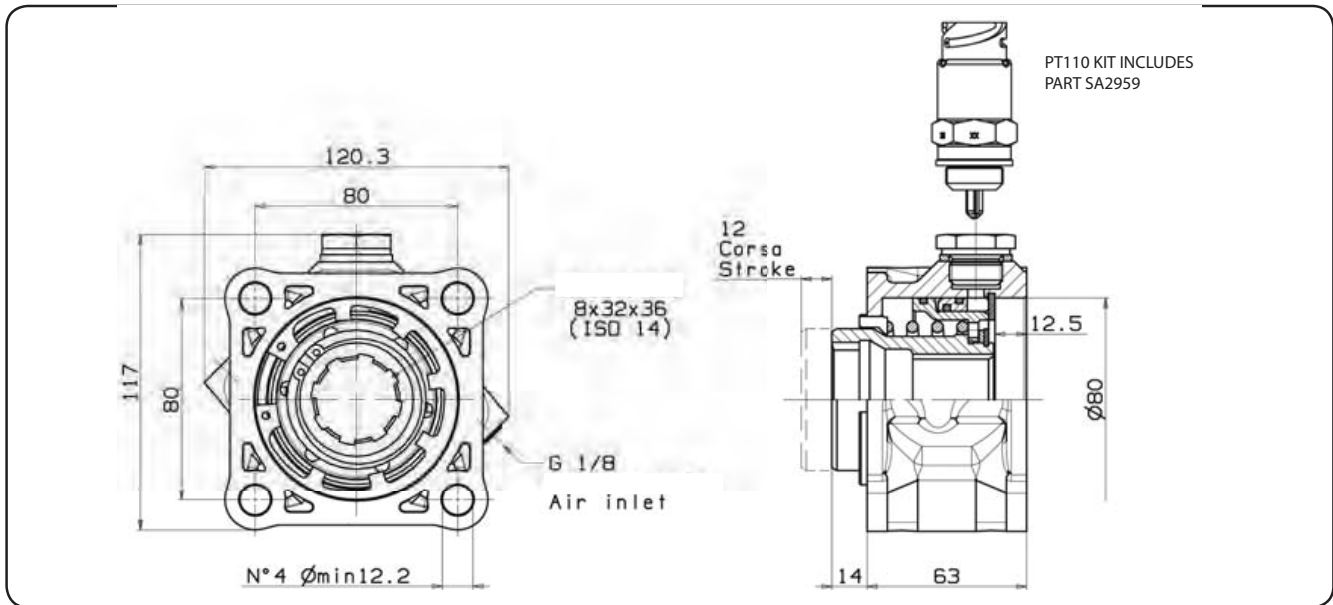
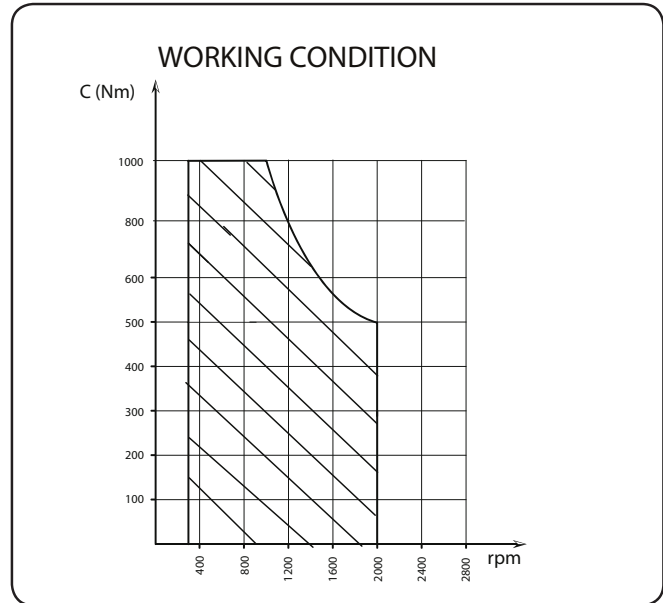


PTO - Block PTO - PT110-111



PT111



INCLUDES AIR FITTING

**TECHNICAL SPECIFICATION:**

Gearbox:	Volvo, Eaton, Mercedes, ZF, Scania
Max torque:	1000 Nm
Mounting side:	Rear
Output:	Rear
Rotation:	Clockwise
PT110 Conversion:	Merit Bayonet required Part No. SA2959

All dimensions are given in mm unless otherwise stated. Technical Specifications are subject to change without notice.