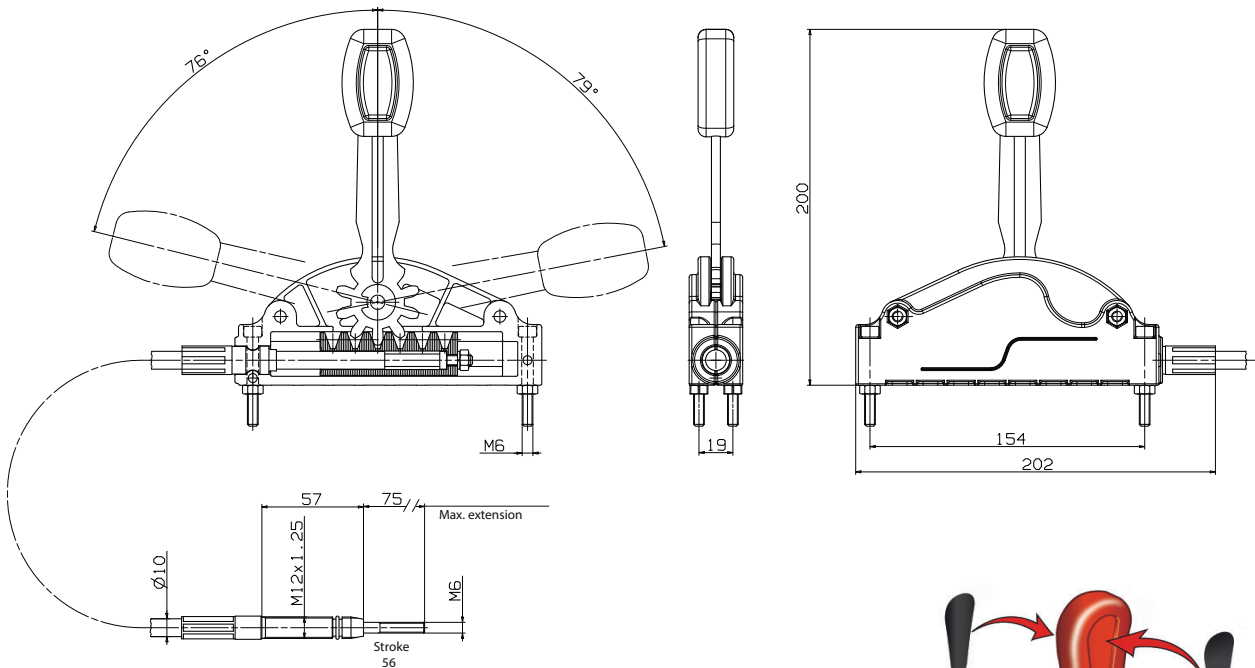


Manual Control Lever - PCL20xxxx



TECHNICAL FEATURES

- Stroke 56 mm
- Transmitted force: Pull 600 N/ Push 350 N
- Minimum sheath bending radius: 250 mm
- Lengths 0.7 - 9m available on application

PHISICAL FEATURES

- Body in glass-filled nylon.
- Pressed steel lever with corrosion protection.

This Remote control is suitable for moving mechanisms with relatively high loads.

Part No	Cable Length
PCL20/2500	2.5 m
PCL20/3000	3 m
PCL20/3500	3.5 m

Suitable for control of manual valves and PTO's