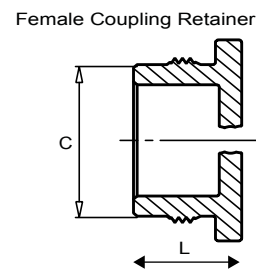
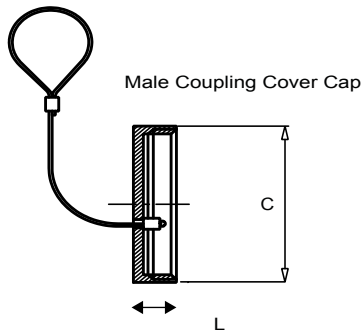
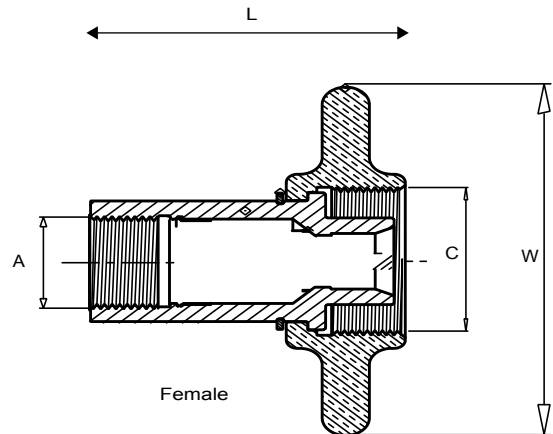
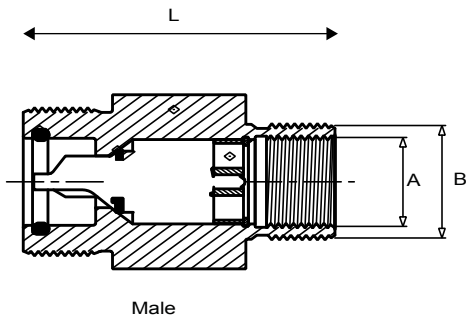


Quick Disconnect Couplings - QDC



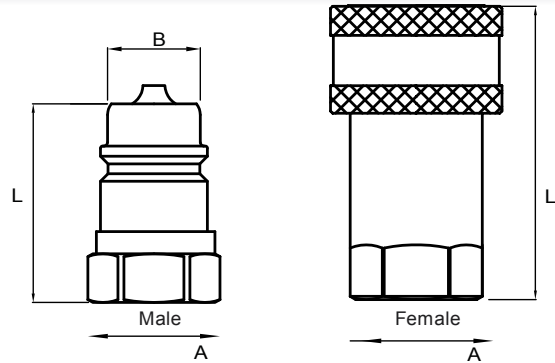
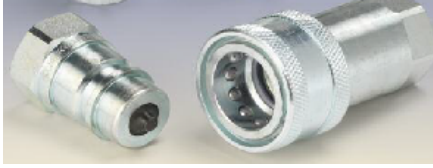
- Screws directly into the cylinder oil inlet port
- Wing nut design ensures easy connection
- Zinc plated for corrosion resistance
- Flat face and ISO 'A' alternatives available



Size/Type	Part no.	Mass (kgs)	A	B	C	L	W	Rated flow (l/min)	Pressure drop (bar)	MWP (bar)
3/4" FEMALE	QDC075F/W	0.8	3/4" BSP	-	44	75	115	150	5.8	250
3/4" MALE	QDC075F	0.7	3/4" BSP	1 1/4" BSP	-	78				
3/4" RETAINER	QDC075/R	0.1	-	-	44	25				
3/4" COVER	QDC075/C	0.1	-	-	44	13				
1" FEMALE	QDC100F/W	0.85	1" BSP	-	54	80	115	200	2.7	200
1" MALE	QDC100F	0.09	1" BSP	1 1/4" BSP	-	83				
1" RETAINER	QDC100/R	0.15	-	-	54	25				
1" COVER	QDC100/C	0.15	-	-	54	18				

All dimensions are given in mm unless otherwise stated. Technical Specifications are subject to change without notice.

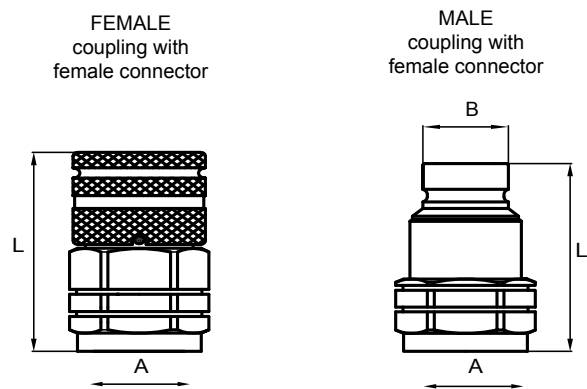
Quick Disconnect Couplings - ISO 'A'



ISO 'A' COUPLING

Size/Type	Part no.	Mass (kgs)	A	B	L	Rated flow (l/min)	Pressure drop (bar)	MWP (bar)
¾" FEMALE	QDC075F/W/ISO	0.4	¾" BSP		82	180	4	250
¾" MALE	QDC075F/ISO	0.3	¾" BSP		-	-	-	-
¾" RETAINER	QDC075/ISO/R							
¾" COVER	QDC075/ISO/C							
1" FEMALE	QDC100F/W/ISO	0.6	1" BSP		127	320	4	230
1" MALE	QDC100F/ISO	0.5	1" BSP		-	-	-	-
1" RETAINER	QDC100/ISO/R							
1" COVER	QDC100/ISO/C							

Quick Disconnect Couplings - ISO Flat Face Coupling



ISO - FLAT FACE COUPLING

Size/Type	Part no.	Mass (kgs)	A	B	L	Rated flow (l/min)	Pressure drop (bar)	MWP (bar)
¾" FEMALE	QDC075FFF	0.4	¾" BSP	-	135	250	3	250
¾" MALE	QDC075FFM	0.4	¾" BSP	-	-	-	-	-
1" FEMALE	QDC100FFF	0.6	1" BSP	-	154	130	3	250
1" MALE	QDC100FFM	0.6	1" BSP	-	-	-	-	-

All dimensions are given in mm unless otherwise stated. Technical Specifications are subject to change without notice.