

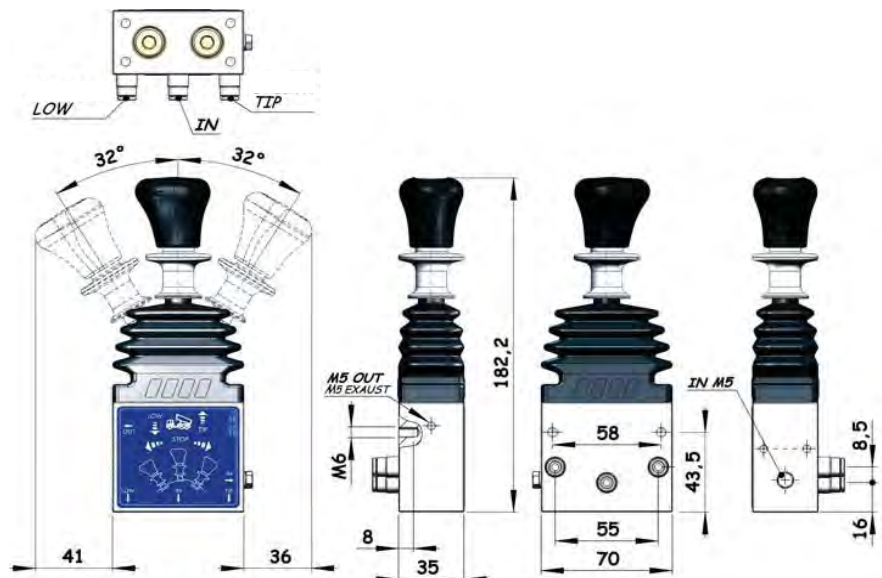
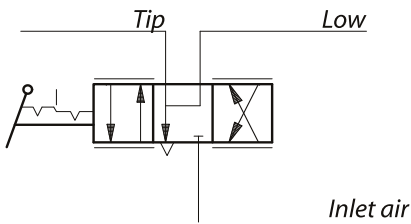
Pneumatic Proportional Control Switch - SA2891



- Compact Size
- Fully proportional
- Multiple connectable switches available
- No DMH

| | Pressure values | | Temperature | |
|---------------------------------|-----------------|----------|-------------|------|
| | Min. Bar | Max. Bar | Min. | Max. |
| Lever return | | | | |
| Automatic "CE" | 5 | 12 | -30 | +80 |
| Manual (with low and tip block) | | | | |

Functional diagram



All dimensions are given in mm unless otherwise stated. Technical Specifications are subject to change without notice.