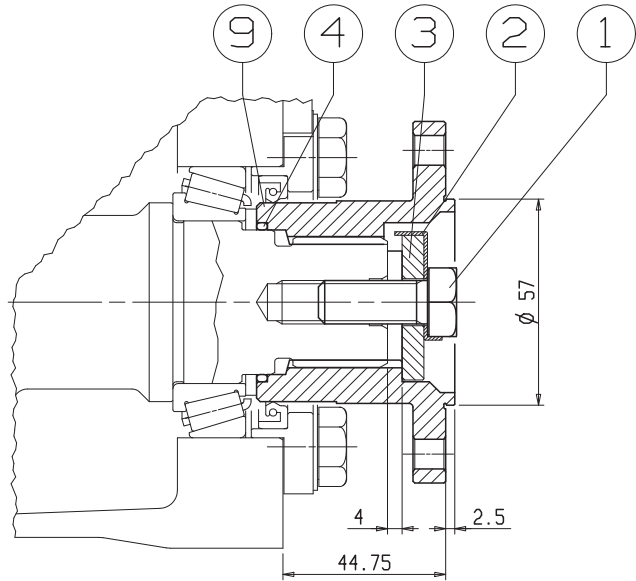
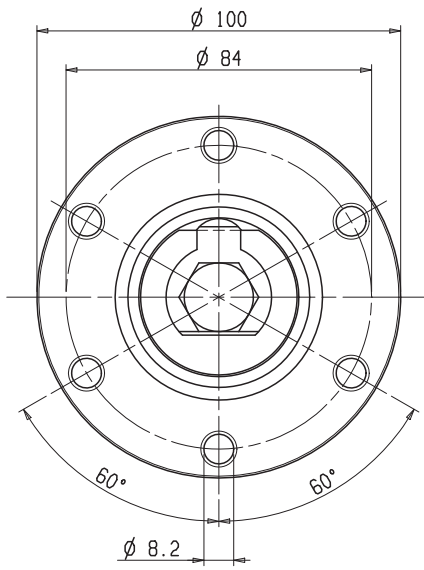


Flange Kit - SA2958



Pos.	Pieces	Denomination
1	1	Screw TE M 12x30 UNI 5739
2	1	Back-up washer M12
3	1	Flange locking washer
4	1	Gasket O-R 3156 FKM/FPM
9	1	Female flange 32x36 DIN 10

All dimensions are given in mm unless otherwise stated. Technical Specifications are subject to change without notice.