

Hoist/PTO air controls: 1/4" air fittings

Applies to the following air controls: SA2902/V2, SA2941/V2, SA2942/V2 & SA2943/V2

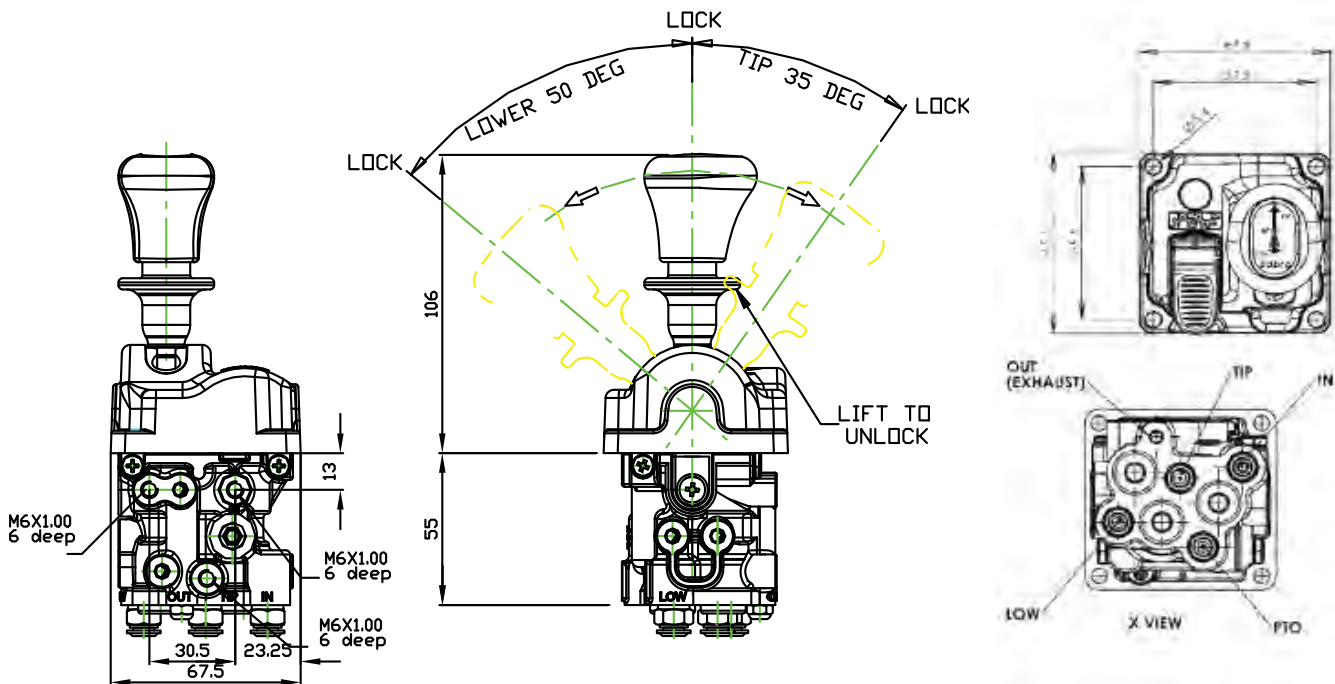
- * Proportional lower control
- * Compact and lightweight for easy installation
- * Multiple mounting options
- * Secure and easy to use push-in fittings
- * Wide range of control options
- * Available as valve only, or as a complete kit

| Valve part number | Hold in Tip | Hold in Low | Auto PTO | CE approved | Kit part number |
|-------------------|-------------|-------------|----------|-------------|-----------------|
| SA2902/V2 | Y | Y | Y | N | AV247/V2 |
| SA2941/V2 | Y | Y | N | N | AV251/V2 |
| SA2942/V2 | N | Y | Y | Y | AV252/V2 |
| SA2943/V2 | N | Y | N | Y | AV253/V2 |

AV kits also contain 1/4" air pipe (20m), ties, bolt kit & pipe diagram.

Specification of all hoist/PTO operating air controls:

| | |
|-------------------------------------|------------------|
| Typical weight: | 450 grams |
| Operating temperature range: | -45° to +80° |
| Air condition: | Dry filtered air |
| Max working pressure: | 12 bar |
| Air pipe material: | Nylon |
| Air pipe diameter: | 1/4" |
| Recommended vehicle voltage: | 24 volts |



Note: Mounting brackets are available to mount the air control in the cab. A detailed spec sheet is available containing mounting dimensions.

All dimensions are given in mm unless otherwise stated. Technical Specifications are subject to change without notice.

Hoist only air controls: 1/4" air fittings

Applies to the following air controls: SA2893A/V2 & SA2940/V2

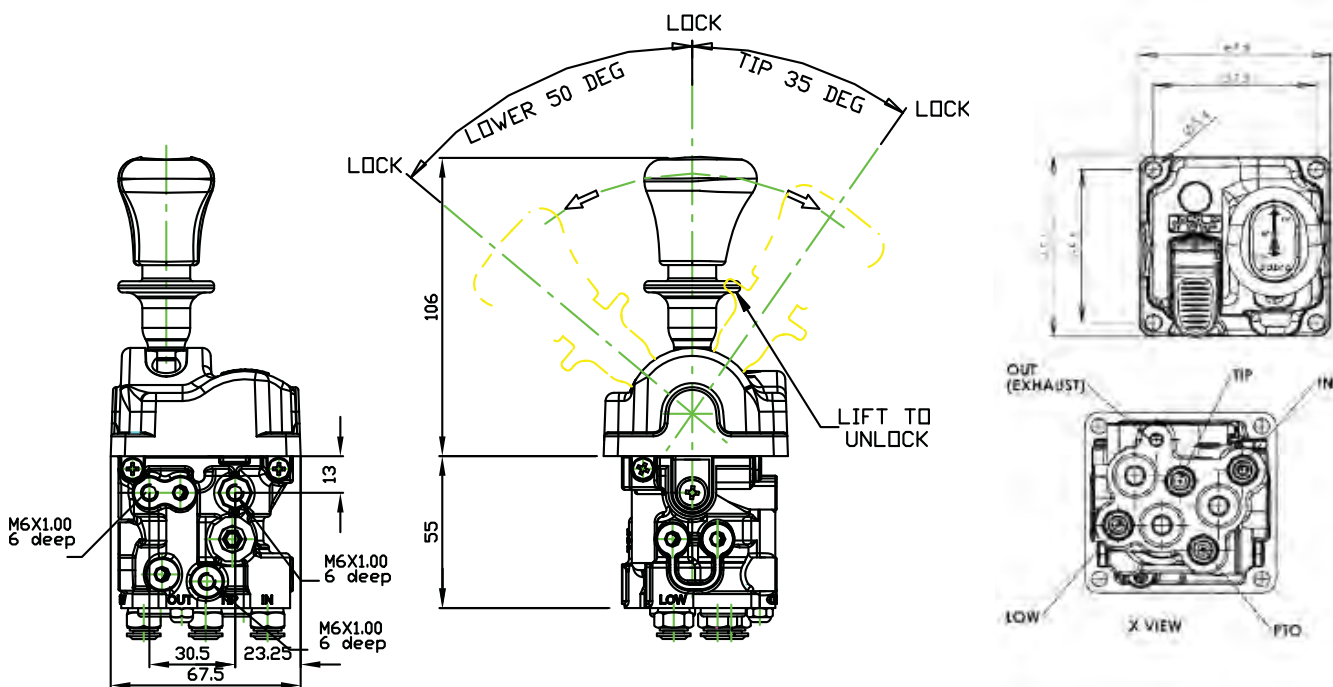
- * Proportional lower control
- * Compact and lightweight for easy installation
- * Multiple mounting options
- * Secure and easy to use push-in fittings
- * Wide range of control options
- * Available as valve only, or as a complete kit

| Valve part number | Hold in Tip | Hold in Low | CE approved | Kit part number |
|-------------------|-------------|-------------|-------------|-----------------|
| SA2893A/V2 | Y | Y | N | AV240/V2 |
| SA2940/V2 | N | Y | Y | AV254/V2 |

AV kits also contain 1/4" air pipe (20m), ties, bolt kit & pipe diagram.

Specification of all hoist/PTO operating air controls:

| | |
|-------------------------------------|------------------|
| Typical weight: | 450 grams |
| Operating temperature range: | -45° to +80° |
| Air condition: | Dry filtered air |
| Max working pressure: | 12 bar |
| Air pipe material: | Nylon |
| Air pipe diameter: | 1/4" |
| Recommended vehicle voltage: | 24 volts |



Note: Mounting brackets are available to mount the air control in the cab. A detailed spec sheet is available containing mounting dimensions.

All dimensions are given in mm unless otherwise stated. Technical Specifications are subject to change without notice.