

Hoist/PTO air controls: 6mm air fittings

Applies to the following air controls: SA2895/V2, SA2896/V2, SA2897/V2 & SA2898/V2

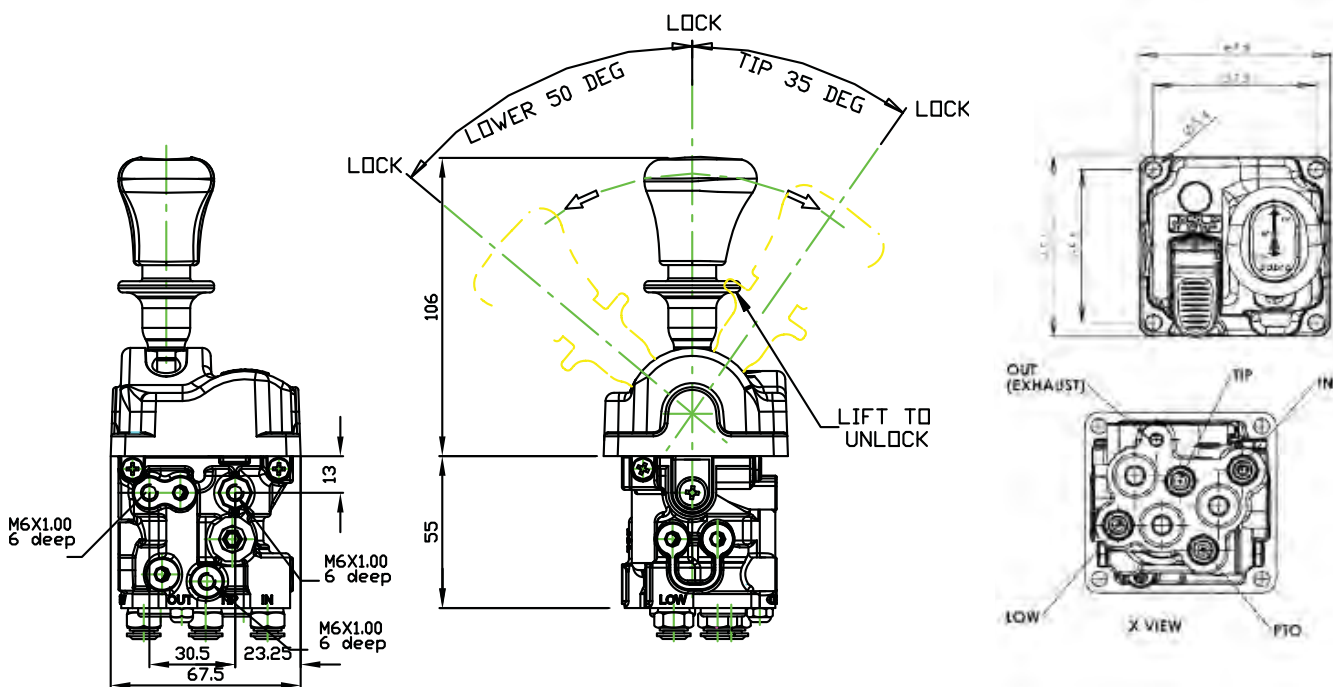
- * Proportional lower control
- * Compact and lightweight for easy installation
- * Multiple mounting options
- * Secure and easy to use push-in fittings
- * Wide range of control options
- * Available as valve only, or as a complete kit

Valve part number	Hold in Tip	Hold in Low	Auto PTO	CE approved	Kit part number
SA2895/V2	Y	Y	Y	N	AV242/V2
SA2896/V2	N	Y	Y	Y	AV243/V2
SA2897/V2	Y	Y	N	N	AV244/V2
SA2898/V2	N	Y	N	Y	AV245/V2

AV kits also contain 6mm air pipe, ties, bolt kit & pipe diagram.

Specification of all hoist/PTO operating air controls:

Typical weight:	450 grams
Operating temperature range:	-45° to +80°
Air condition:	Dry filtered air
Max working pressure:	12 bar
Air pipe material:	Nylon
Air pipe diameter:	6 mm
Recommended vehicle voltage:	24 volts



Note: Mounting brackets are available to mount the air control in the cab. A detailed spec sheet is available containing mounting dimensions.

All dimensions are given in mm unless otherwise stated. Technical Specifications are subject to change without notice.

Hoist only air controls: 6mm air fittings

Applies to the following air controls: SA2894/V2 & SA2901/V2

- * Proportional lower control
- * Compact and lightweight for easy installation
- * Multiple mounting options
- * Secure and easy to use push-in fittings
- * Wide range of control options
- * Available as valve only, or as a complete kit

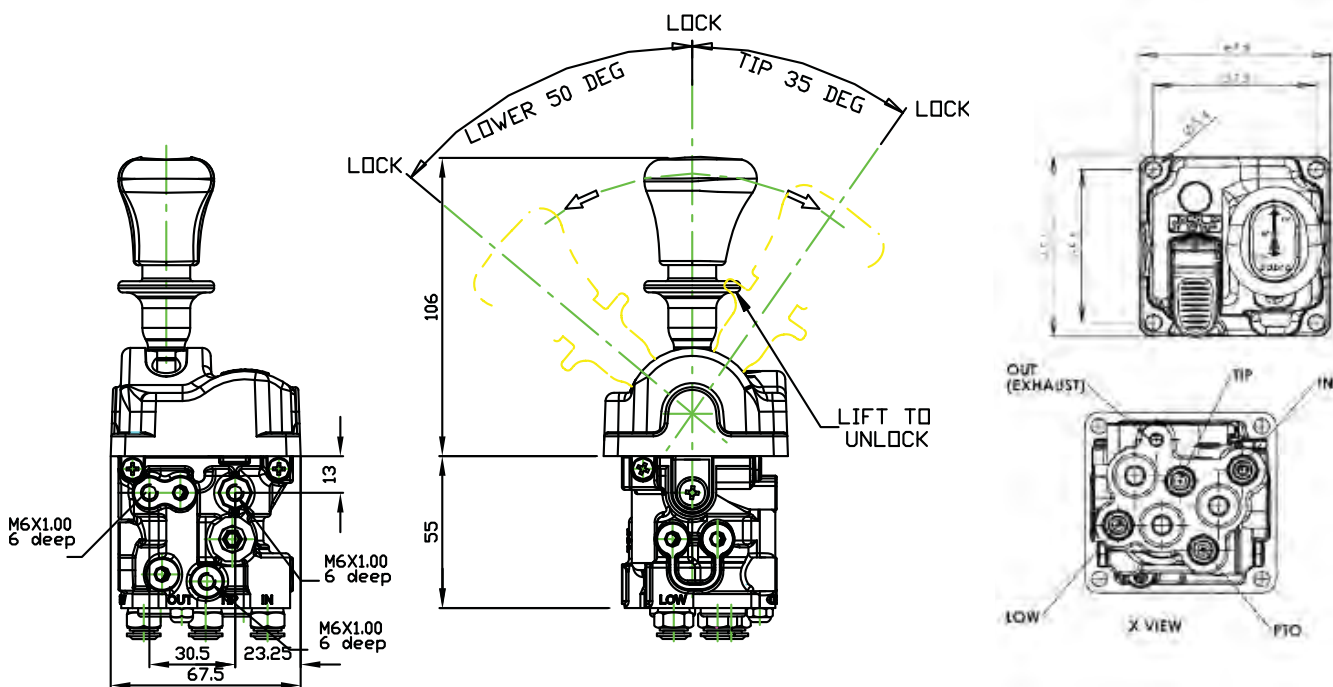
Valve part number	Hold in Tip	Hold in Low	CE approved	Kit part number
SA2894/V2	N	Y	Y	AV241/V2
SA2901/V2	Y	Y	N	AV246/V2

AV kits also contain 6mm air pipe, ties, bolt kit & pipe diagram.

Air Controls

Specification of all hoist/PTO operating air controls:

Typical weight:	450 grams
Operating temperature range:	-45° to +80°
Air condition:	Dry filtered air
Max working pressure:	12 bar
Air pipe material:	Nylon
Air pipe diameter:	6 mm
Recommended vehicle voltage:	24 volts



Note: Mounting brackets are available to mount the air control in the cab. A detailed spec sheet is available containing mounting dimensions.

All dimensions are given in mm unless otherwise stated. Technical Specifications are subject to change without notice.