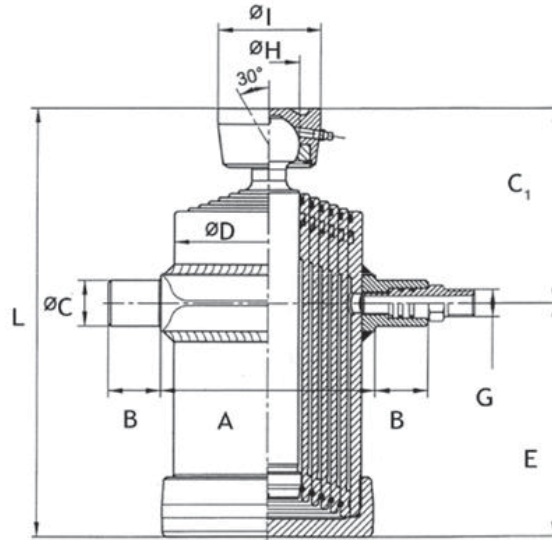


**UB Series: Underbody Cylinders**



Part Number	Stroke (mm)	Diameter of stages (mm)														Cylinder Dimensions (mm)								Mass (kg)	Volume (litre)	Thrust @ nominal pressure (tonne)			
		30	46	61	68	76	88	91	107	126	145	165	187	210	236	265	A	B	C	C1	D	E	G ("BSP)				H	I	L
UB080M300683	683																115	40	35	142	95	240	1/2	45	112	382	18	2.2	5
UB100M401050	1050																150	40	40	157	124	280	1/2	55	95	437	33.5	6.2	10
UB100M401290	1290																150	40	40	157	124	340	1/2	55	95	497	39	7.5	10
*UB100M401510	1510																150	40	40	157	124	395	1/2	55	95	552	43	8.8	10
UB100M501040	1040																150	40	40	150	124	225	1/2	45	112	375	29	5	8
*UB100M501490	1490																150	40	40	150	124	315	1/2	45	112	465	35	7.5	8
UB100M601245	1245																150	40	40	150	124	225	1/2	45	112	375	28.5	5.5	6
*UB110M401190	1190																150	40	40	157	124	315	1/2	55	95	472	36	7	10
UB120M301483	1483																175	45	45	165	152	515	1/2	65	107	680	63	13.8	16
UB120M401500	1500																175	45	45	165	152	395	1/2	55	95	557	63	12	14
UB120M401700	1700																175	45	45	162	152	445	1/2	55	95	607	69	13.5	14
UB120M501230	1230																175	45	45	165	152	265	1/2	55	95	430	46	9	11
*UB120M501480	1480																175	45	45	165	152	315	1/2	55	95	480	53	11	11
UB120M602257	2257																175	45	45	155	152	395	1/2	45	112	550	56	12	9
*UB140M401220	1220																175	45	45	162	152	325	1/2	55	95	487	55	9.7	14
UB140M501295	1295																210	45	50	245	170	205	3/4	65	107	450	65.5	12.7	16
UB140M501520	1520																210	45	50	245	170	250	3/4	65	107	495	72.5	14.8	16
UB140M501870	1870																210	45	50	245	170	320	3/4	65	107	565	81.5	18.2	16
UB140M502120	2120																210	45	50	245	170	370	3/4	65	107	615	88.5	20.6	16
*UB140M600987	987																210	45	50	240	170	110	3/4	55	95	350	50	10	13
UB140M601165	1165																210	45	50	240	170	140	3/4	55	95	380	54	10.5	13
UB140M601345	1345																210	45	50	240	170	170	3/4	55	95	410	59	12	13
UB140M601470	1470																210	45	50	240	170	190	3/4	55	95	430	61	13	13
*UB140M601765	1765																210	45	50	240	170	240	3/4	55	95	480	68	15.6	13
UB140M602245	2245																210	45	50	240	170	320	3/4	55	95	560	78	19.8	13
UB140M602965	2965																210	45	50	240	170	440	3/4	55	95	680	95	26	13

\* Models available ex-stock (contact Edbro for availability information).  
For all models in the UB Series maximum working pressure is 180 bar.  
Spec sheets are also available with details of brackets and 3-way cradles.

All dimensions are given in mm unless otherwise stated. Technical Specifications are subject to change without notice.

**UB Series continued**

Part Number	Stroke (mm)	Diameter of stages (mm)											Cylinder Dimensions (mm)								Mass (kg)	Volume (litre)	Thrust @ nominal pressure (tonne)					
		30	46	61	68	76	88	91	107	126	145	165	187	210	236	265	A	B	C	C1				D	E	G ("BSP)	H	I
UB160M401010	1010															230	45	50	253	190	210	3/4	73	150	463	74	15.8	25
*UB160M401490	1490															210	45	50	244	170	320	3/4	65	107	564	69	16.8	20
*UB160M401690	1690															210	45	50	244	170	370	3/4	65	107	614	76	19	20
UB160M402510	2510															230	45	50	253	190	605	3/4	73	150	858	128	40	25
*UB160M501275	1275															230	45	50	245	190	205	3/4	65	107	450	72.5	17.5	22
UB160M501500	1500															230	45	50	245	190	250	3/4	65	107	495	79.5	20.3	22
UB160M501850	1850															230	45	50	245	190	320	3/4	65	107	565	88.5	25	22
UB160M502450	2450															230	45	50	245	190	440	3/4	65	107	695	103.5	32.8	22
UB160M601540	1540															230	45	50	248	190	210	3/4	65	107	458	82	18.5	20
*UB160M601810	1810															230	45	50	248	190	255	3/4	65	107	503	89	21.5	20
UB160M602225	2225															230	45	50	248	190	325	3/4	65	107	573	102	25.9	20
UB160M602525	2525															230	45	50	248	190	375	3/4	65	107	623	110	29.4	20
UB160M602950	2950															230	45	50	248	190	445	3/4	65	107	693	125	34.6	20
UB160M701800	1800															230	45	50	243	190	210	3/4	55	95	453	76.5	20	14
UB180M502675	2675															250	50	50	258	215	525	3/4	73	150	783	161	47	29
UB180M502925	2925															250	50	50	258	215	575	3/4	73	150	833	171	51	29
UB180M602475	2475															250	50	50	260	215	375	3/4	73	150	635	134	38	25
UB180M701740	1740															250	50	50	260	215	175	3/4	65	107	435	97	22	18
UB180M701992	1992															275	50	55	253	240	265	1	73	150	518	136	35	25
UB180M702045	2045															250	50	50	250	215	255	3/4	65	107	505	116	29	22
*UB180M702550	2550															250	50	50	250	215	325	3/4	65	107	575	132	35	22
UB180M802310	2310															250	50	50	260	215	245	3/4	65	107	505	118	29	18
UB210M802295	2295															275	50	55	255	240	265	3/4	73	150	520	145	36	25
*UB240M802540	2540															310	55	70	255	270	309	1	73	150	564	180	52	30
UB240M803740	3740															310	55	70	255	270	459	1	73	150	714	264	78	30
UB240M901897B	1897															310	55	70	237	270	209	1	73	150	446	155	36	25
UB260M901842B	1842															340	55	70	237	300	212	1	73	150	448	188	45	32
UB260M902452	2452															340	55	70	257	300	272	1	73	150	529	222	59	32

\* Models available ex-stock (contact Edbro for availability information).  
For all models in the UB Series maximum working pressure is 180 bar.  
Spec sheets are also available with details of brackets and 3-way cradles.

All dimensions are given in mm unless otherwise stated. Technical Specifications are subject to change without notice.